

Non-structural lid to fit all FL100 chamber systems

For reference purposes only. This drawing is not a specification. Order against product code only. To enable continuous improvement of our products, the designs and specifications are subject to change without notice.

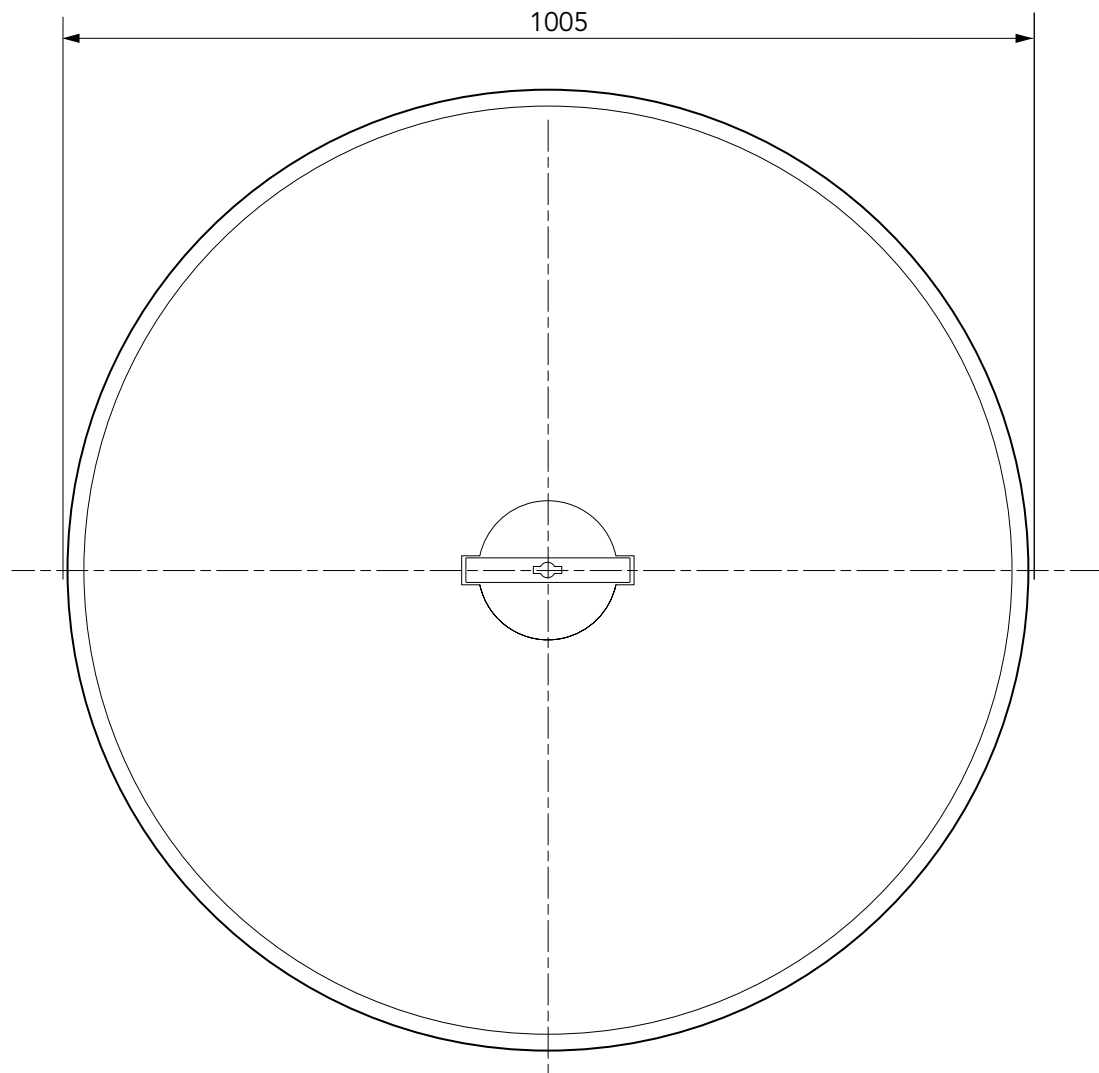
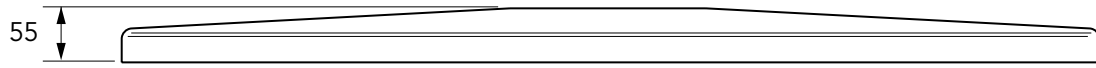
FIBRELITE 
PART OF OPW A DOVER COMPANY

S-LID-ROUND-100

Issue: 11/06/2016

Page: 1 of 2

© Copyright



Non-structural lid to fit all FL100 chamber systems

For reference purposes only. This drawing is not a specification. Order against product code only. To enable continuous improvement of our products, the designs and specifications are subject to change without notice.

