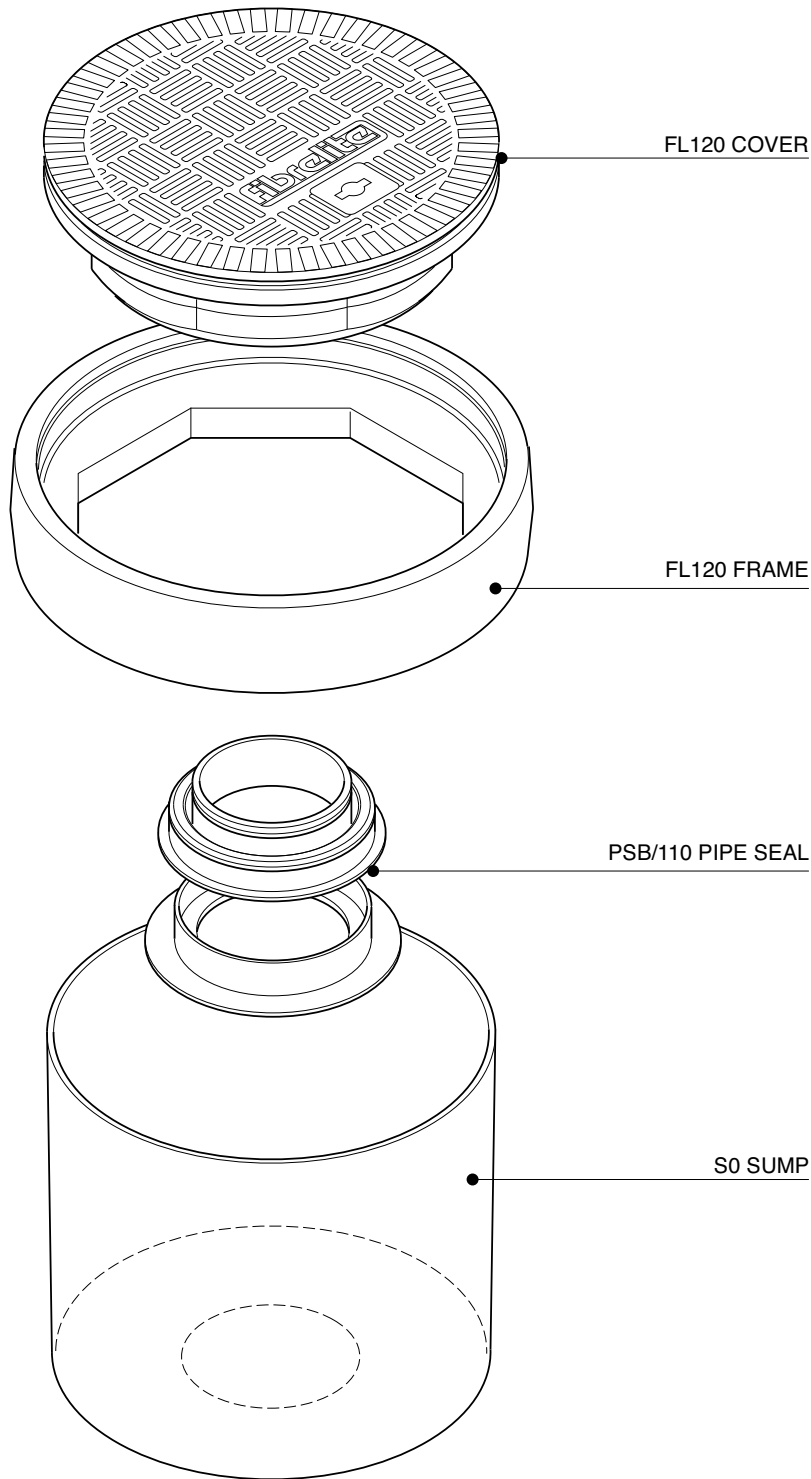


MANUAL DIP GROUNDBOX 300mm dia solid base sump with a 300mm dia grey flat sealed cover and frame. One PSB/110 110mm dia pipe seal kit.

For reference purposes only. This drawing is not a specification. Order against product code only. To enable continuous improvement of our products, the designs and specifications are subject to change without notice.

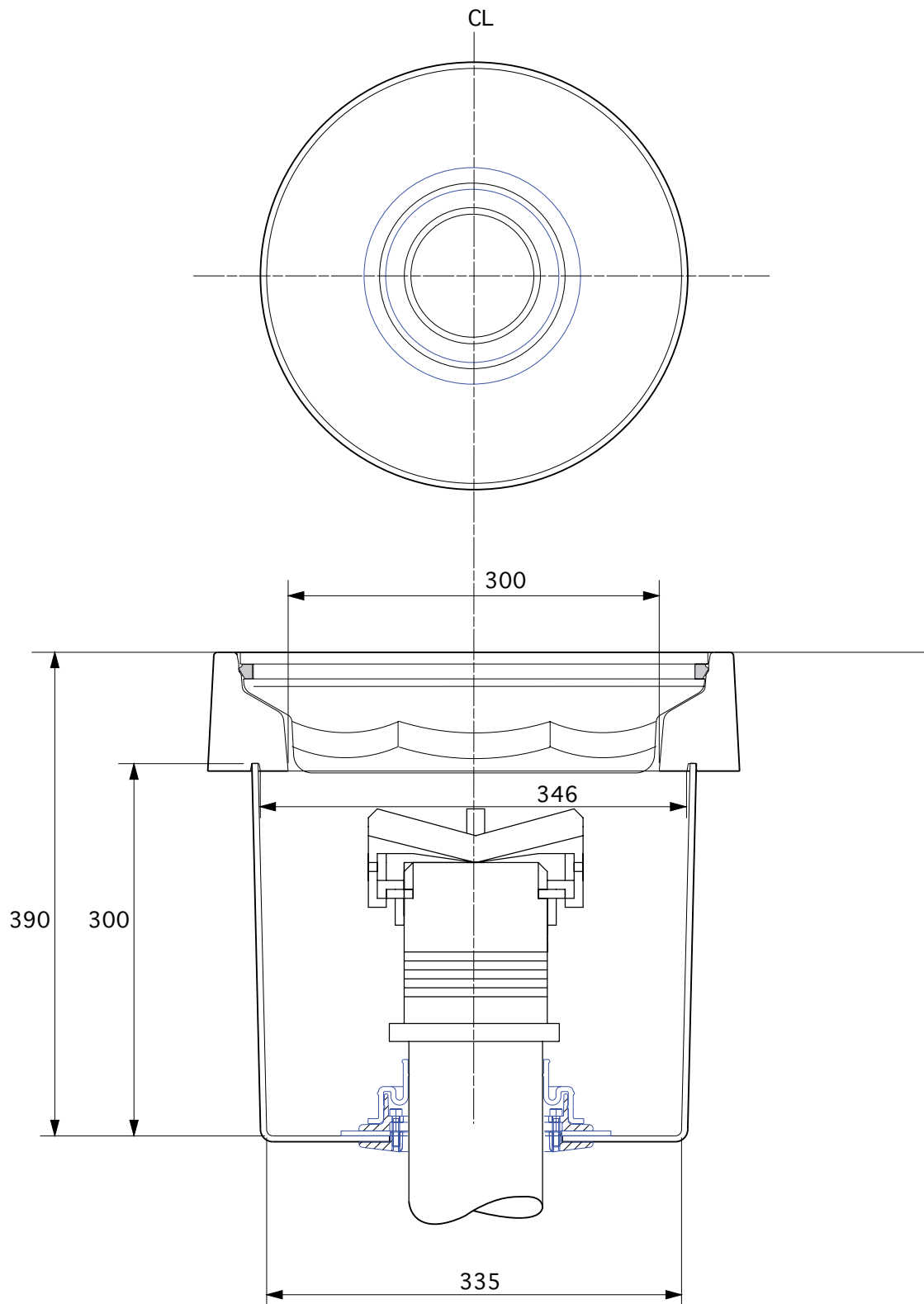
FIBRELITE 
PART OF OPW A DOVER COMPANY



MANUAL DIP GROUNDBOX 300mm dia solid base sump with a 300mm dia grey flat sealed cover and frame. One PSB/110 110mm dia pipe sealkit.

For reference purposes only. This drawing is not a specification. Order against product code only. To enable continuous improvement of our products, the designs and specifications are subject to change without notice.

FIBRELITE 
PART OF OPW A DOVER COMPANY



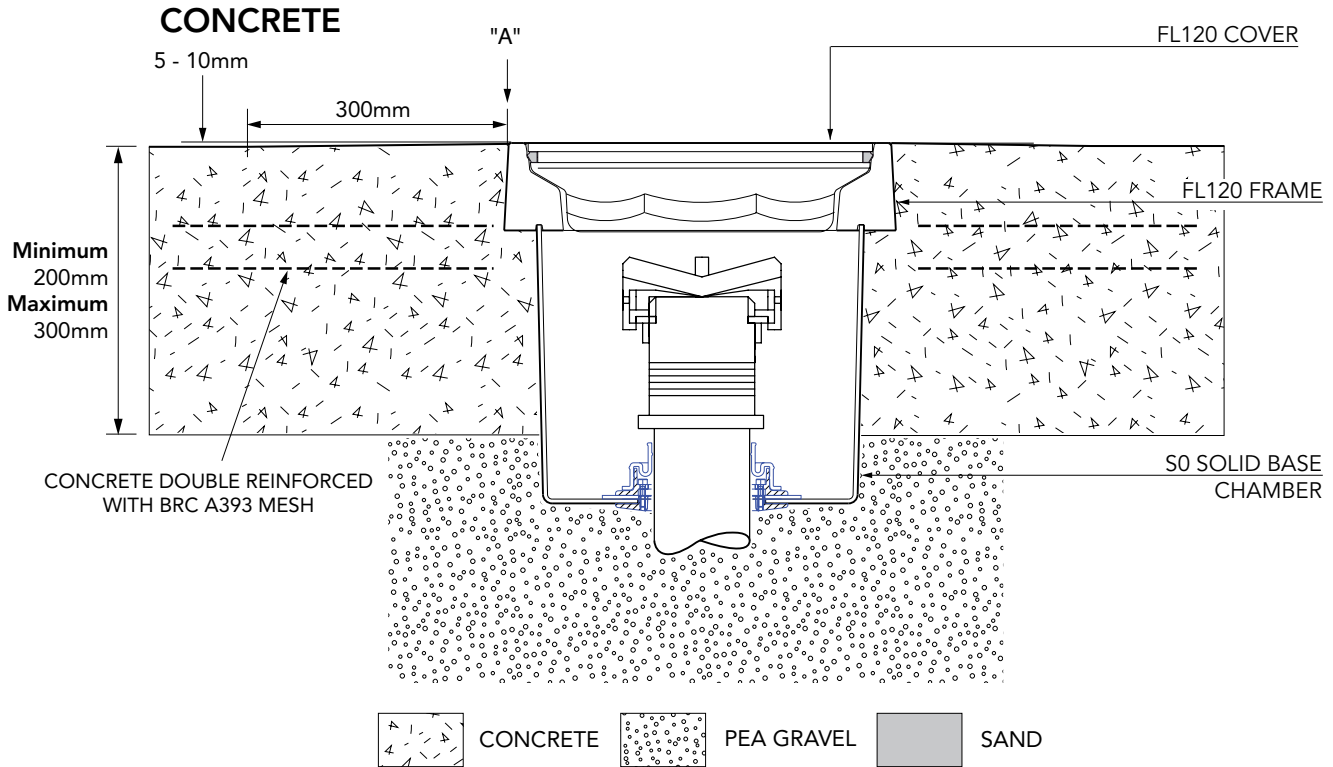
MANUAL DIP GROUNDBOX 300mm dia solid base sump with a 300mm dia grey flat sealed cover and frame. One PSB/110 110mm dia pipe sealkit.

For reference purposes only. This drawing is not a specification. Order against product code only. To enable continuous improvement of our products, the designs and specifications are subject to change without notice.

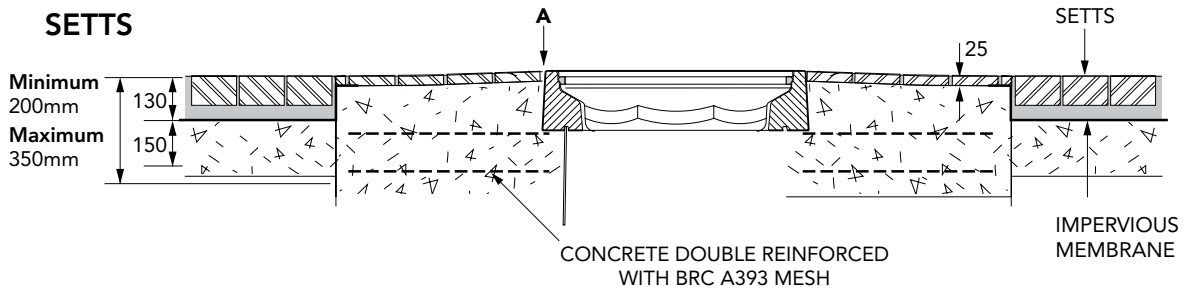
FIBRELITE 
PART OF OPW A DOVER COMPANY

VERY IMPORTANT
 OUTER EDGE "A" OF FRAME
 SET 5 - 10MM ABOVE GENERAL
 FORECOURT AREA WITH
 CONCRETE RAMPED AWAY
 OVER 300MM

TYPICAL INSTALLATION



ALTERNATIVE INSTALLATION ADVICE



TARMACADAM

