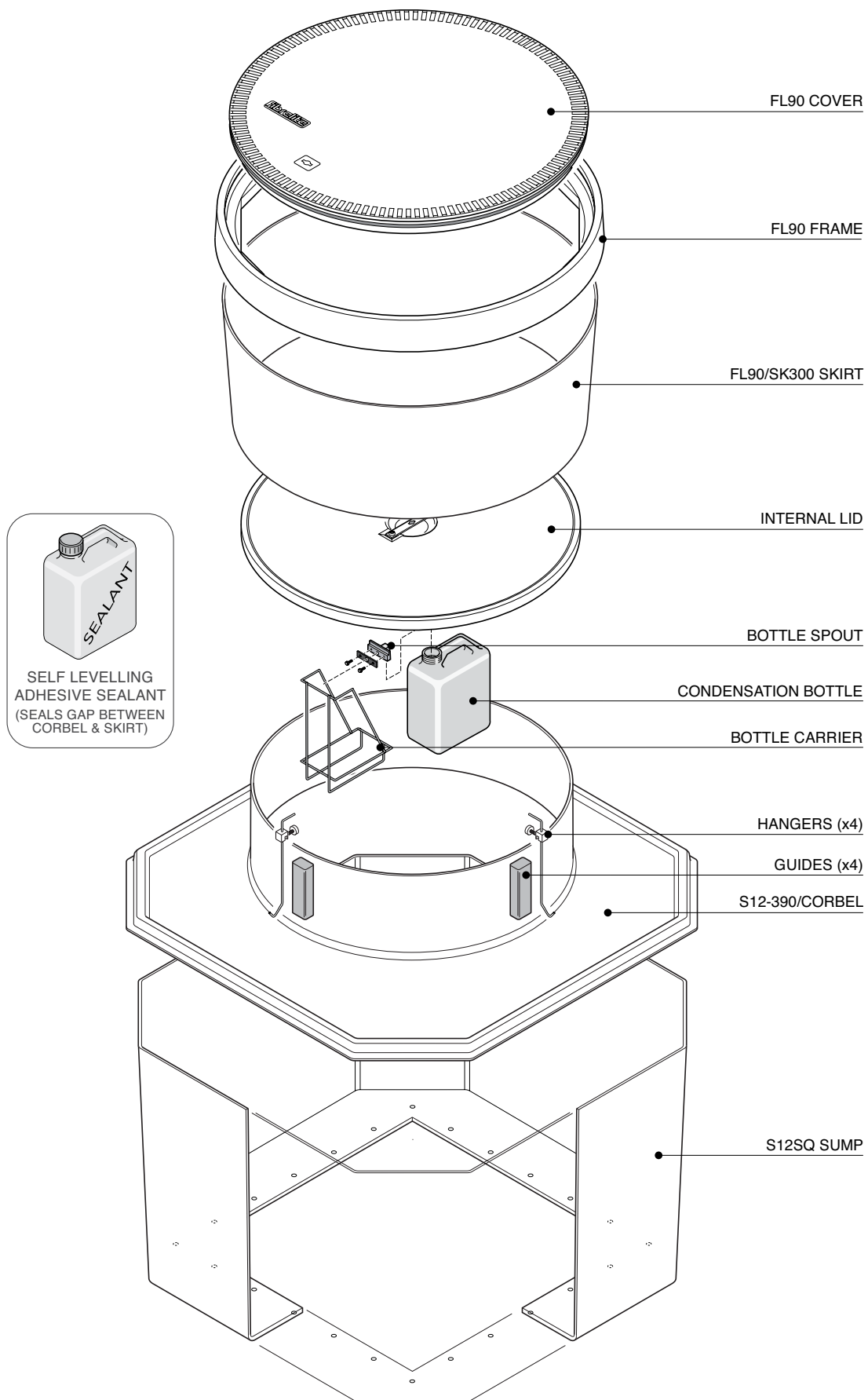


1.2m eight sided chamber with a square bolted base, corbel, adjustable height skirt, 900mm dia. watertight flat sealed cover and frame.

For reference purposes only. This drawing is not a specification. Order against product code only. To enable continuous improvement of our products, the designs and specifications are subject to change without notice.

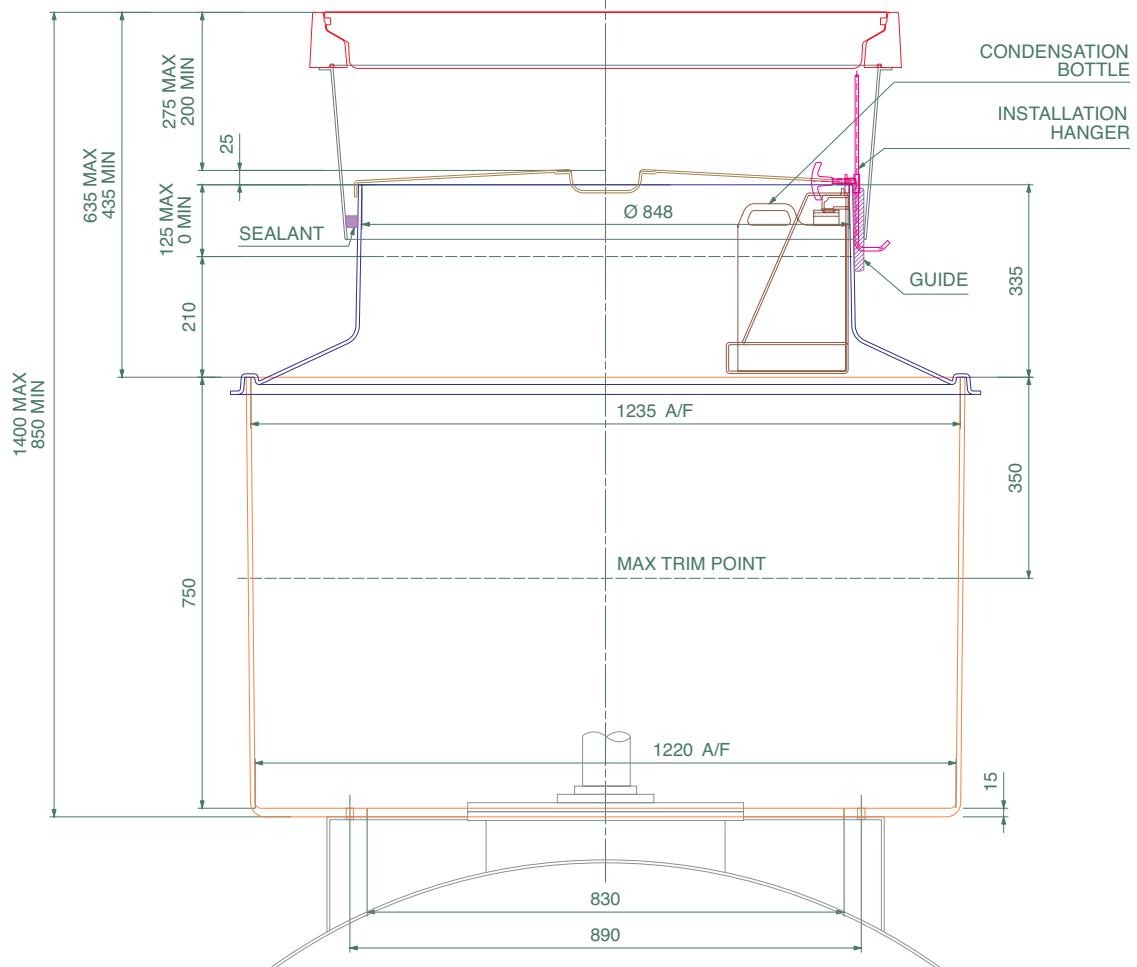
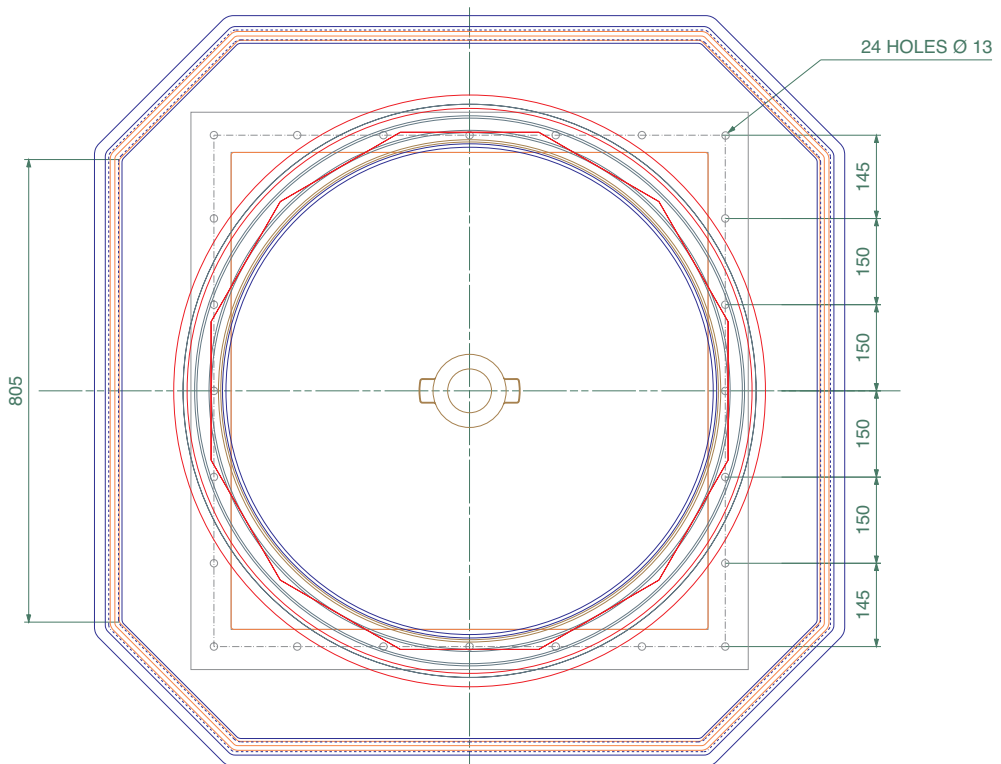
**FIBRELITE**   
PART OF OPW A DOVER COMPANY



1.2m eight sided chamber with a square bolted base, corbel, adjustable height skirt, 900mm dia. watertight flat sealed cover and frame.

For reference purposes only. This drawing is not a specification. Order against product code only. To enable continuous improvement of our products, the designs and specifications are subject to change without notice.

**FIBRELITE**   
 PART OF OPW A DOVER COMPANY



1.2m eight sided chamber with a square bolted base, corbel, adjustable height skirt, 900mm dia. watertight flat sealed cover and frame.

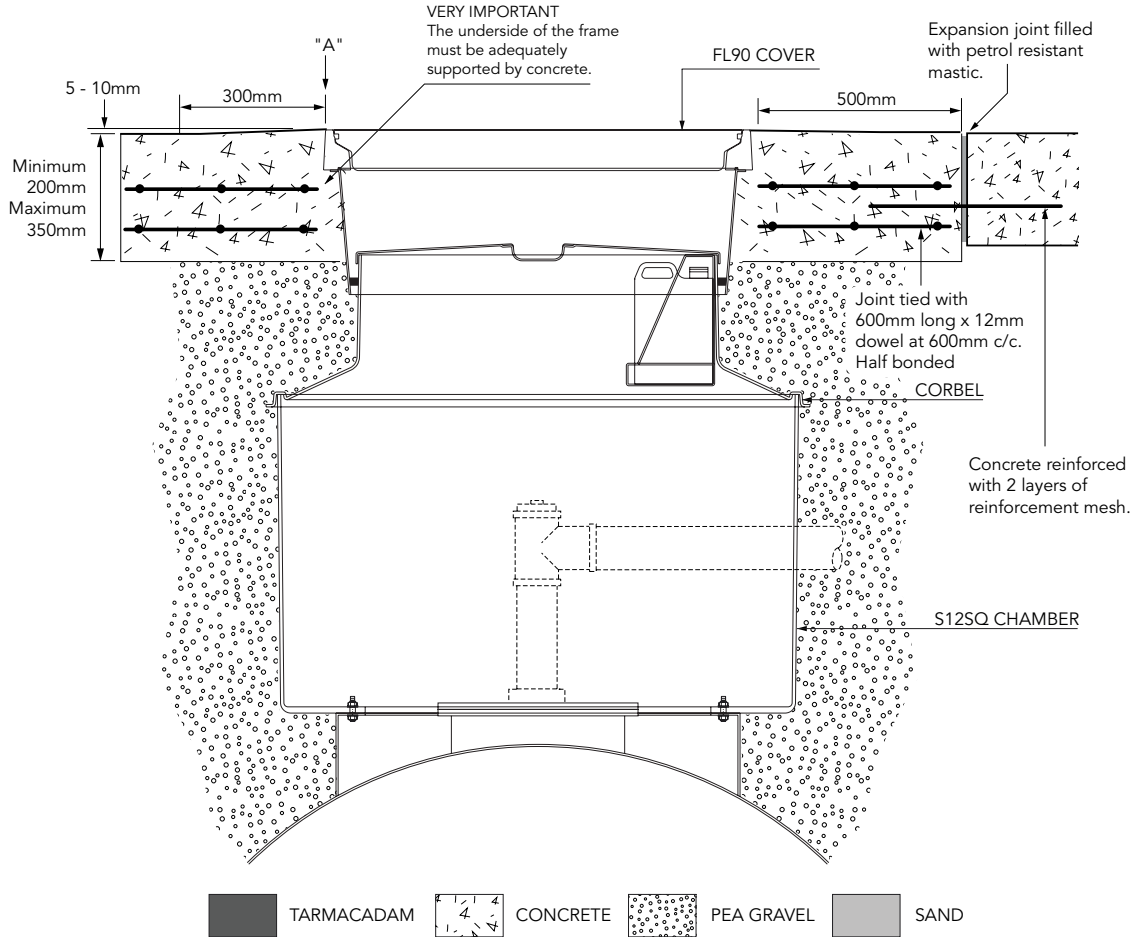
For reference purposes only. This drawing is not a specification. Order against product code only. To enable continuous improvement of our products, the designs and specifications are subject to change without notice.



**! VERY IMPORTANT !**  
**OUTER EDGE "A" OF FRAME SET 5 - 10MM**  
**ABOVE GENERAL FORECOURT AREA WITH**  
**CONCRETE RAMPED AWAY OVER 300MM.**

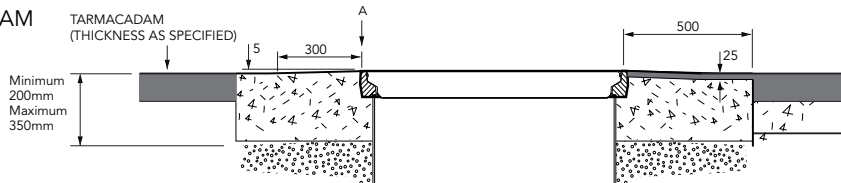
TYPICAL INSTALLATION

CONCRETE

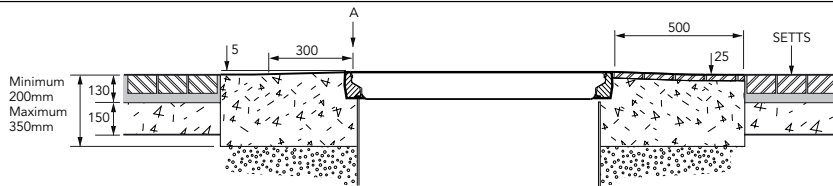


ALTERNATIVE INSTALLATION ADVICE

TARMACADAM



SETTS



1.2m eight sided chamber with a square bolted base, corbel, adjustable height skirt, 900mm dia. watertight flat sealed cover and frame.

For reference purposes only. This drawing is not a specification. Order against product code only. To enable continuous improvement of our products, the designs and specifications are subject to change without notice.

**FIBRELITE**  
 PART OF OPW A DOVER COMPANY