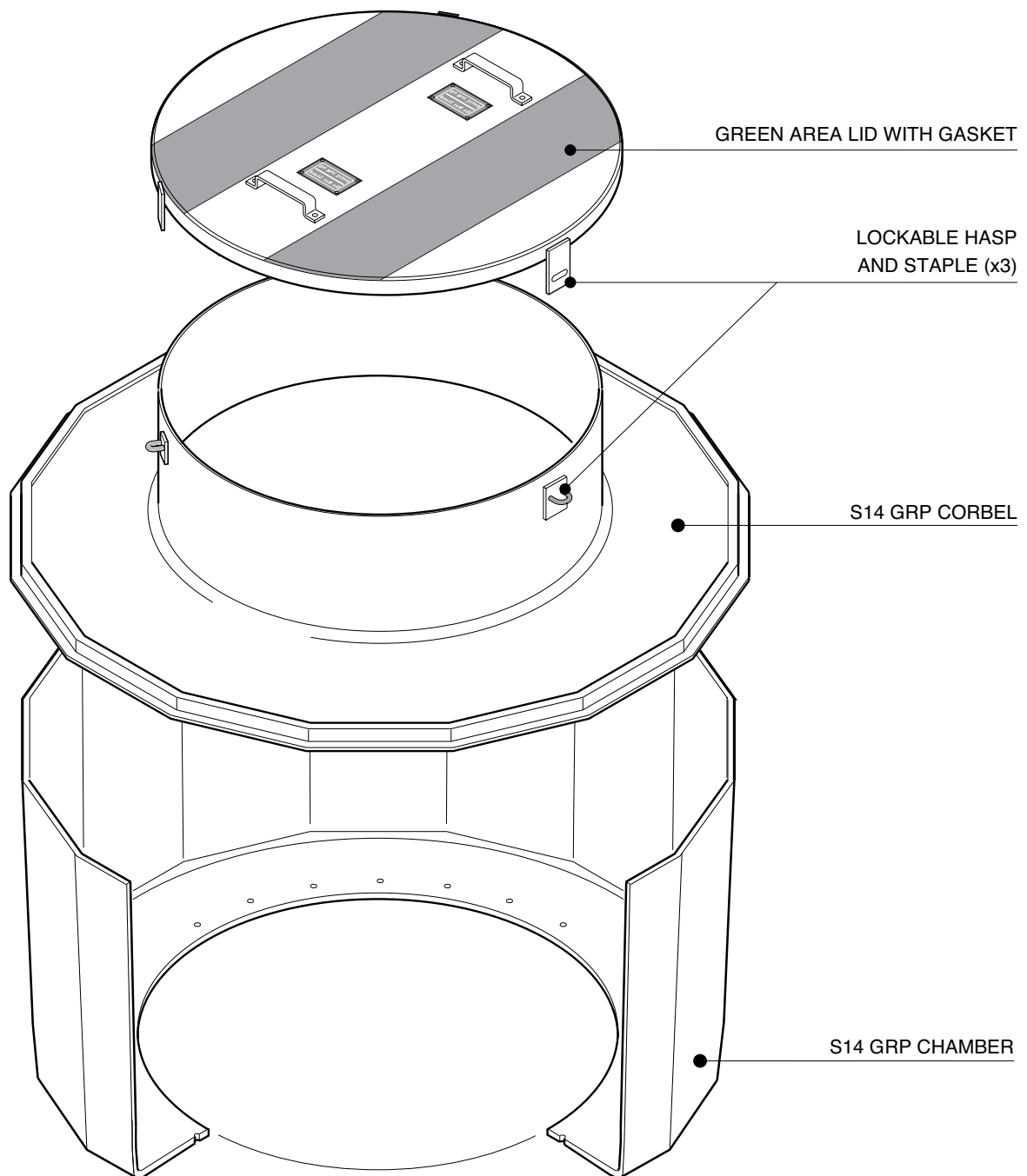


1.4m diameter sump with tank upstand, corbel and lid.
Designed for green area applications.

For reference purposes only. This drawing is not a specification. Order against product code only. To enable continuous improvement of our products, the designs and specifications are subject to change without notice.

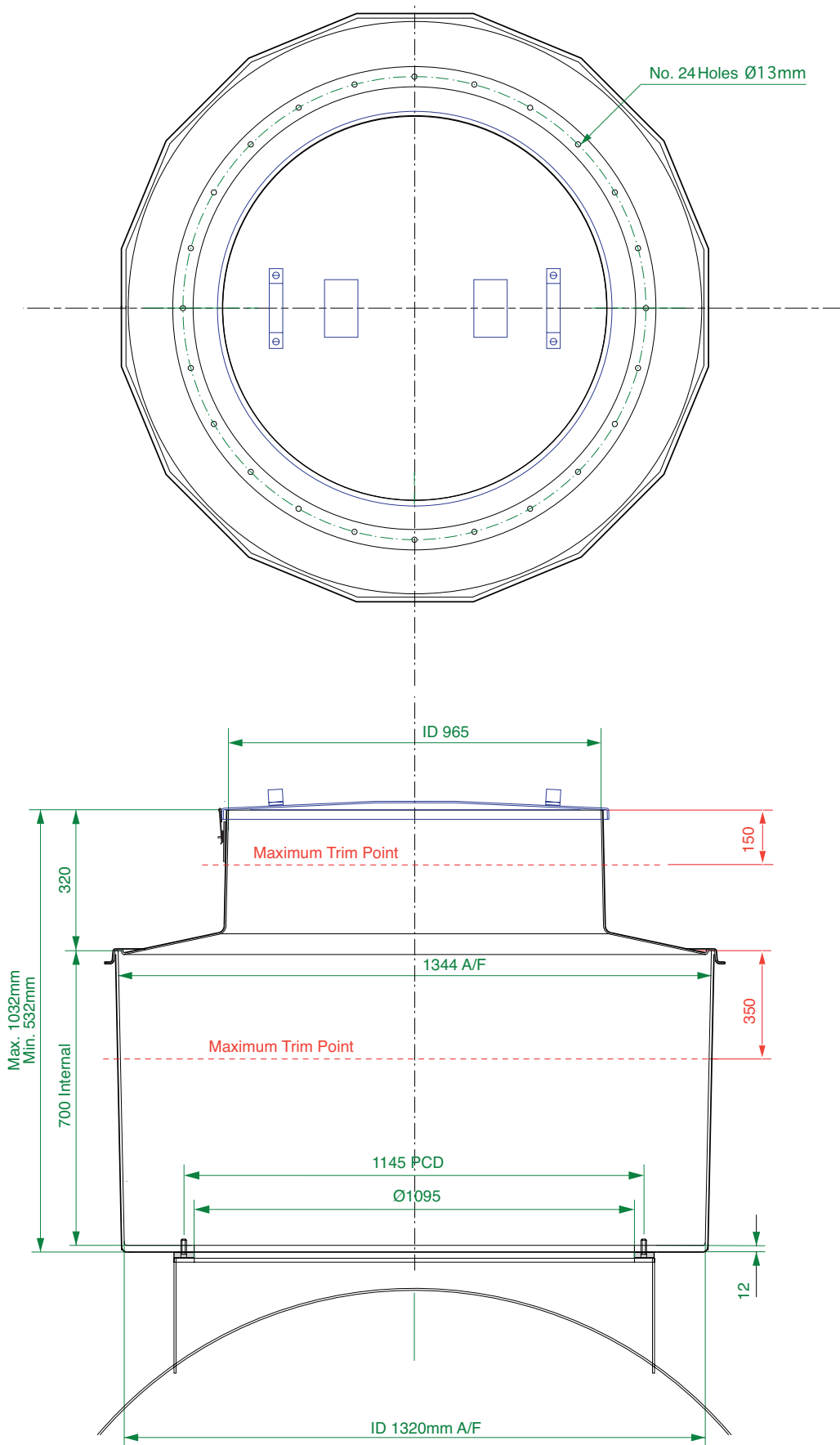
FIBRELITE 
PART OF OPW A DOVER COMPANY



1.4m diameter sump with tank upstand, corbel and lid.
Designed for green area applications.

For reference purposes only. This drawing is not a specification. Order against product code only. To enable continuous improvement of our products, the designs and specifications are subject to change without notice.

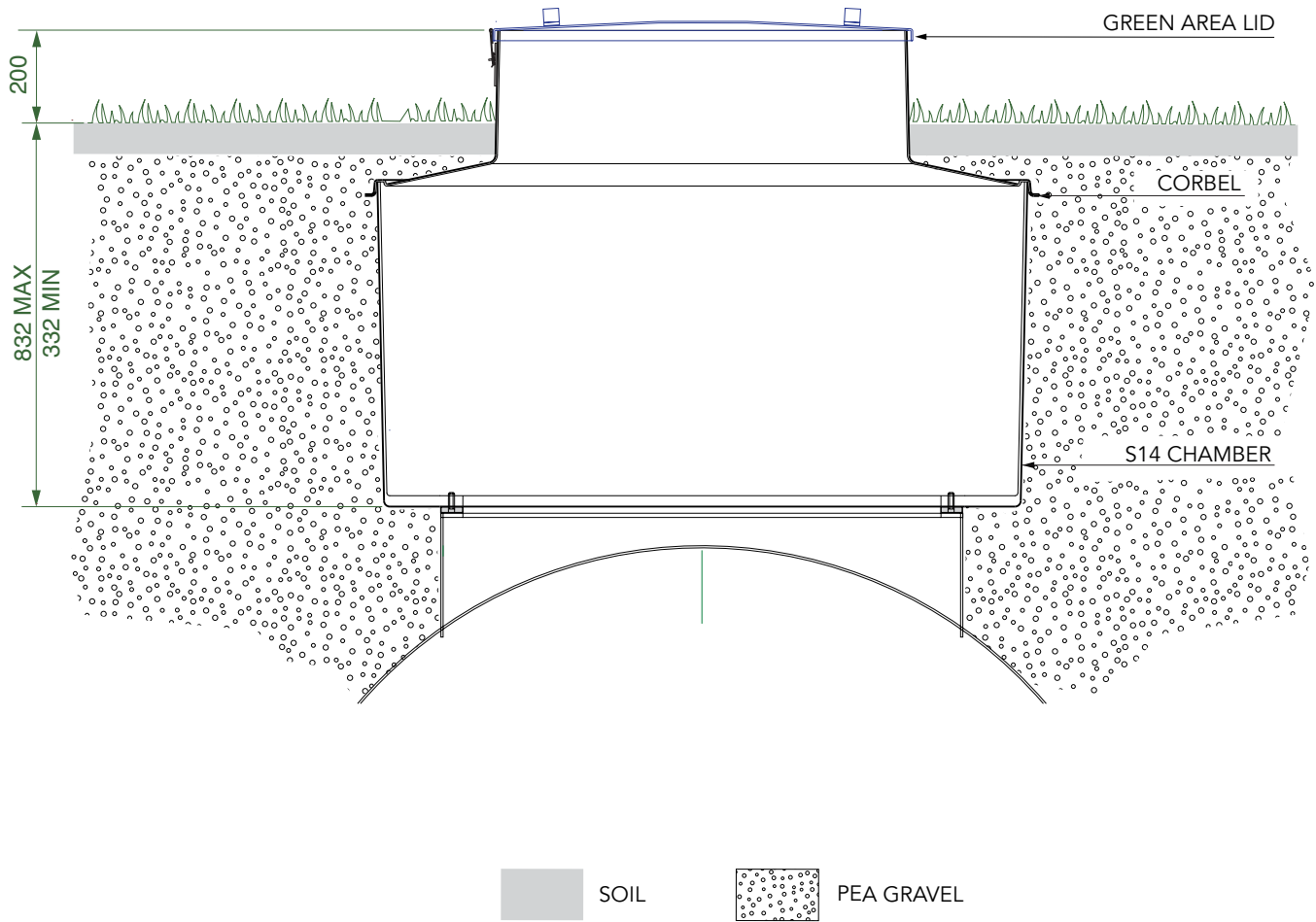
FIBRELITE 
PART OF OPW A DOVER COMPANY



1.4m diameter sump with tank upstand, corbel and lid.
Designed for green area applications.

For reference purposes only. This drawing is not a specification. Order against product code only. To enable continuous improvement of our products, the designs and specifications are subject to change without notice.

FIBRELITE 
PART OF OPW A DOWDER COMPANY



1.4m diameter sump with tank upstand, corbel and lid.
Designed for green area applications.

For reference purposes only. This drawing is not a specification. Order against product code only. To enable continuous improvement of our products, the designs and specifications are subject to change without notice.

FIBRELITE 
PART OF OPW A DOVER COMPANY