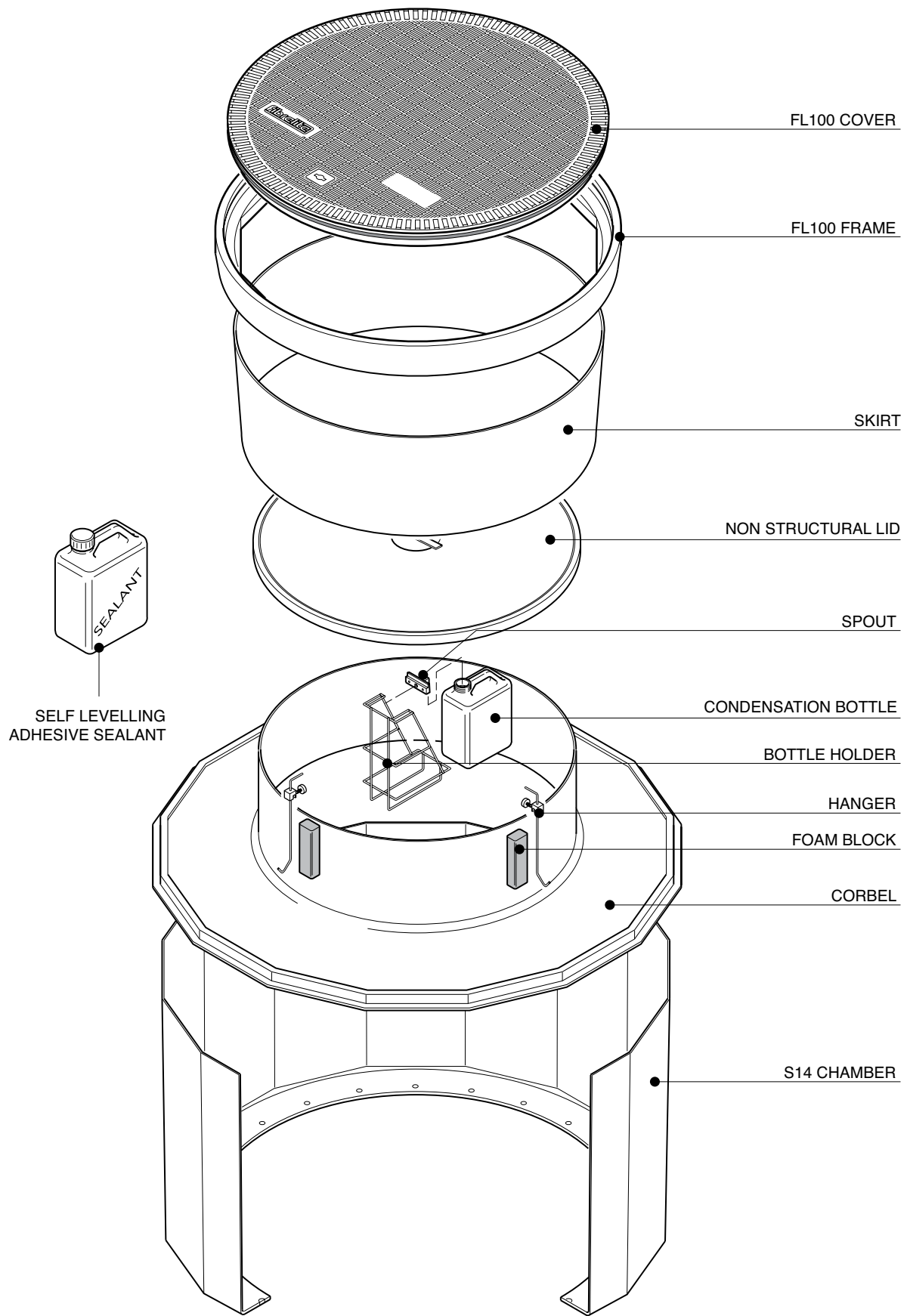


1.4m diameter bolted base chamber, corbel, height adjustable skirt, internal lid, 1020mm dia. watertight flat sealed cover and frame.

For reference purposes only. This drawing is not a specification. Order against product code only. To enable continuous improvement of our products, the designs and specifications are subject to change without notice.

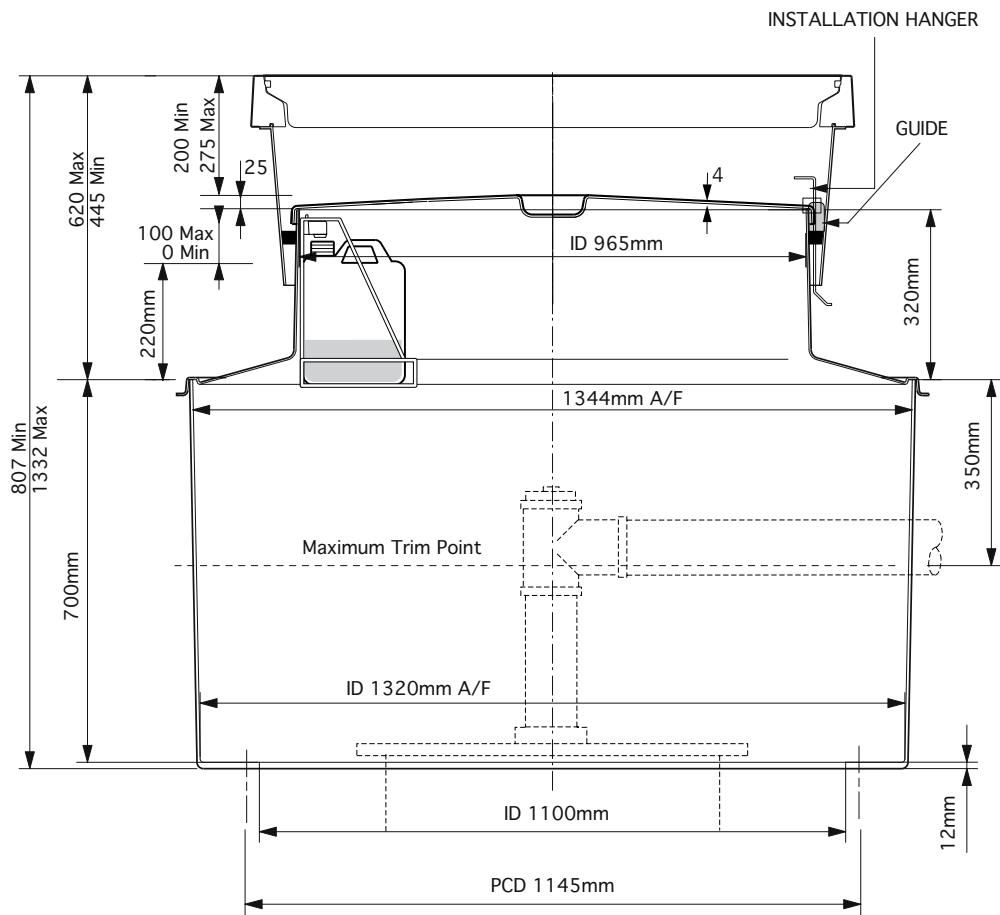
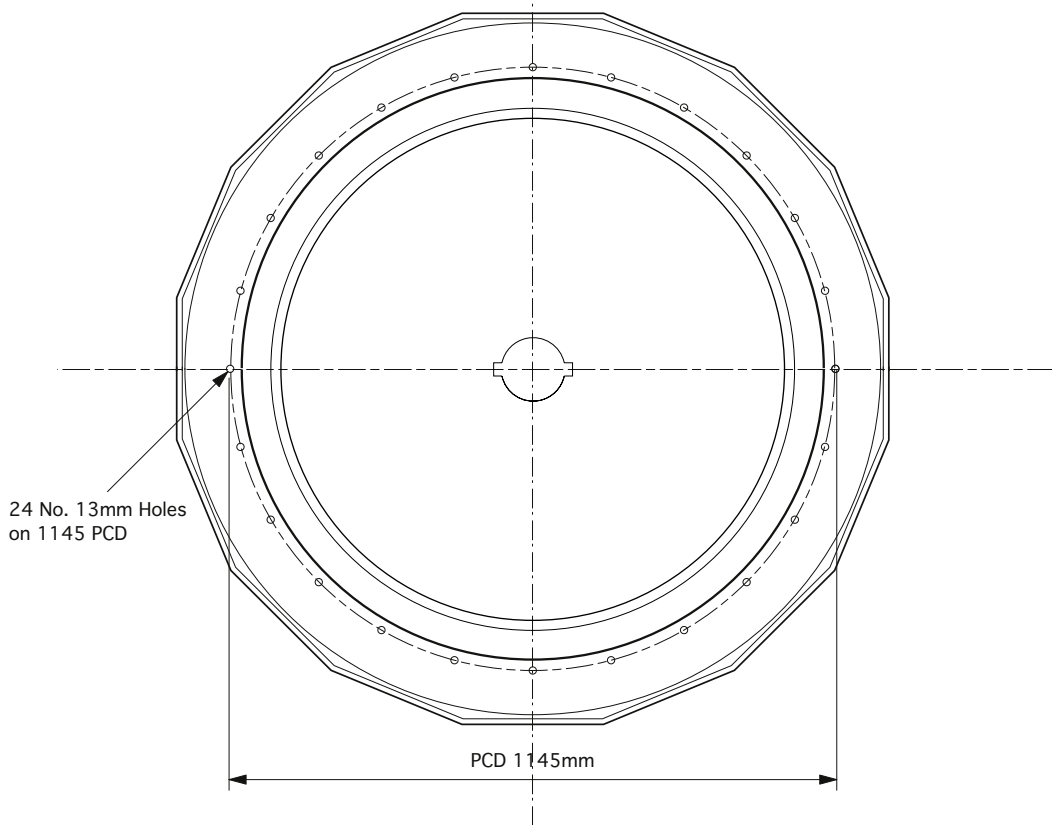
**FIBRELITE**   
PART OF OPW A DOVER COMPANY



1.4m diameter bolted base chamber, corbel, height adjustable skirt, internal lid, 1020mm dia. watertight flat sealed cover and frame.

For reference purposes only. This drawing is not a specification. Order against product code only. To enable continuous improvement of our products, the designs and specifications are subject to change without notice.

**FIBRELITE**   
PART OF OPW A DOW CORNING COMPANY



1.4m diameter bolted base chamber, corbel, height adjustable skirt, internal lid, 1020mm dia. watertight flat sealed cover and frame.

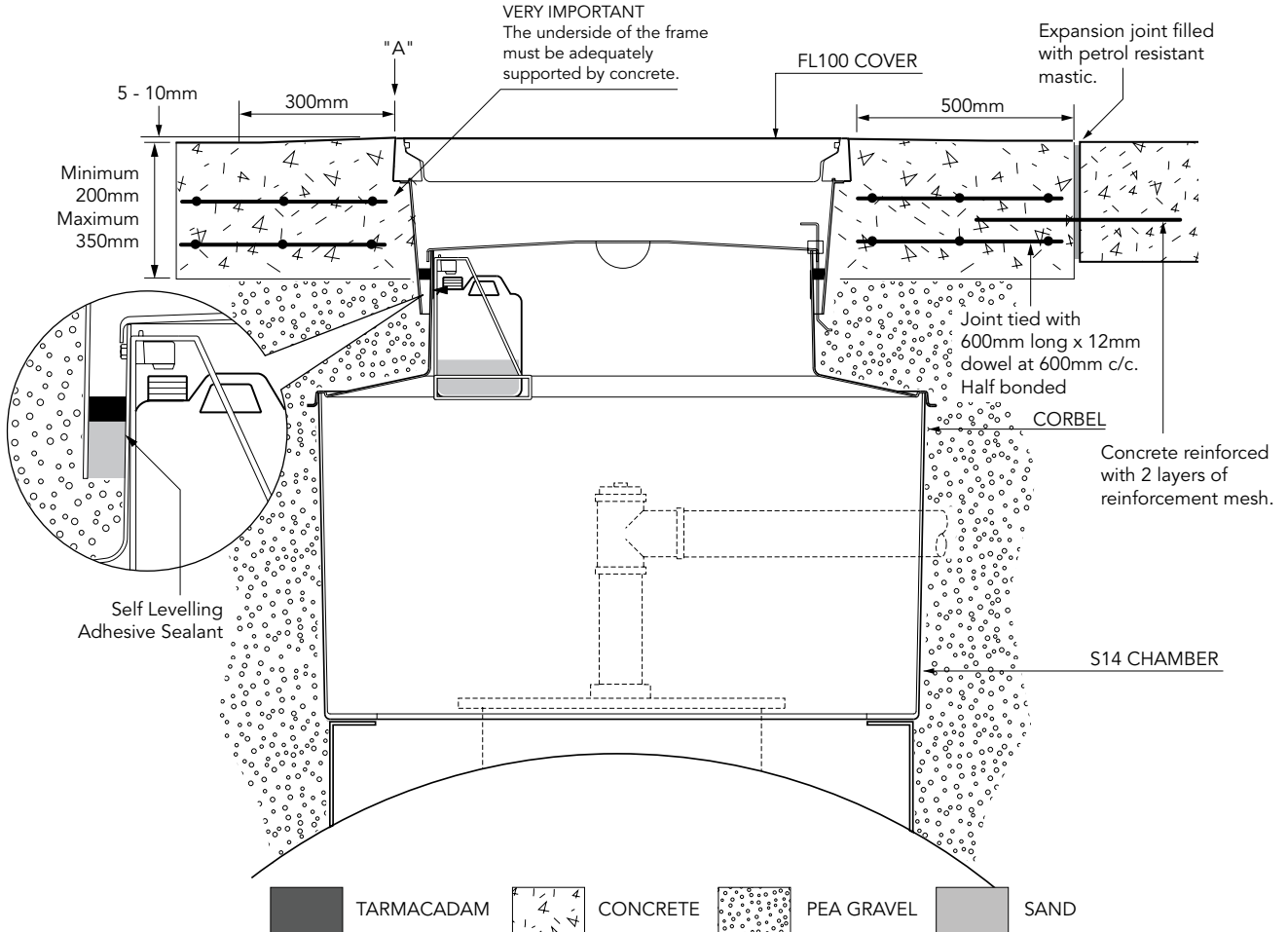
For reference purposes only. This drawing is not a specification. Order against product code only. To enable continuous improvement of our products, the designs and specifications are subject to change without notice.

**FIBRELITE**   
PART OF OPW A DOWER COMPANY

**VERY IMPORTANT**  
**OUTER EDGE "A" OF FRAME SET 5 - 10MM**  
**ABOVE GENERAL FORECOURT AREA WITH**  
**CONCRETE RAMPED AWAY OVER 300MM.**

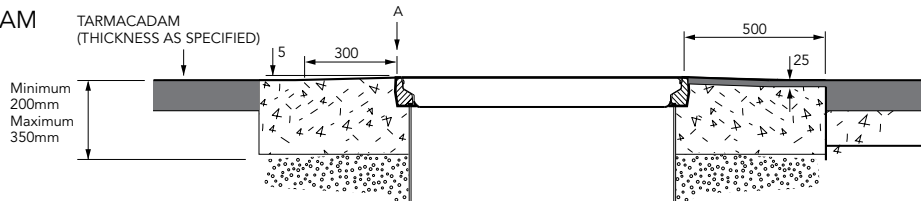
TYPICAL INSTALLATION

CONCRETE

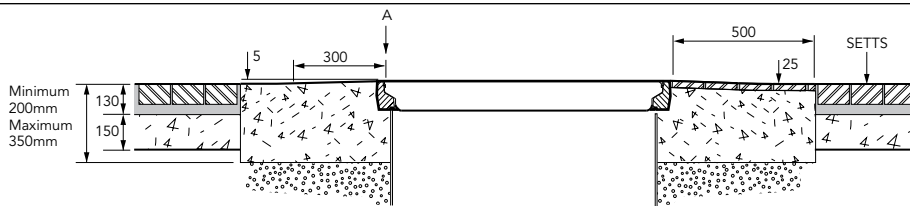


ALTERNATIVE INSTALLATION ADVICE

TARMACADAM



SETTS



1.4m diameter bolted base chamber, corbel, height adjustable skirt, internal lid, 1020mm dia. watertight flat sealed cover and frame.

For reference purposes only. This drawing is not a specification. Order against product code only. To enable continuous improvement of our products, the designs and specifications are subject to change without notice.

**FIBRELITE**   
 PART OF OPW A DOWER COMPANY