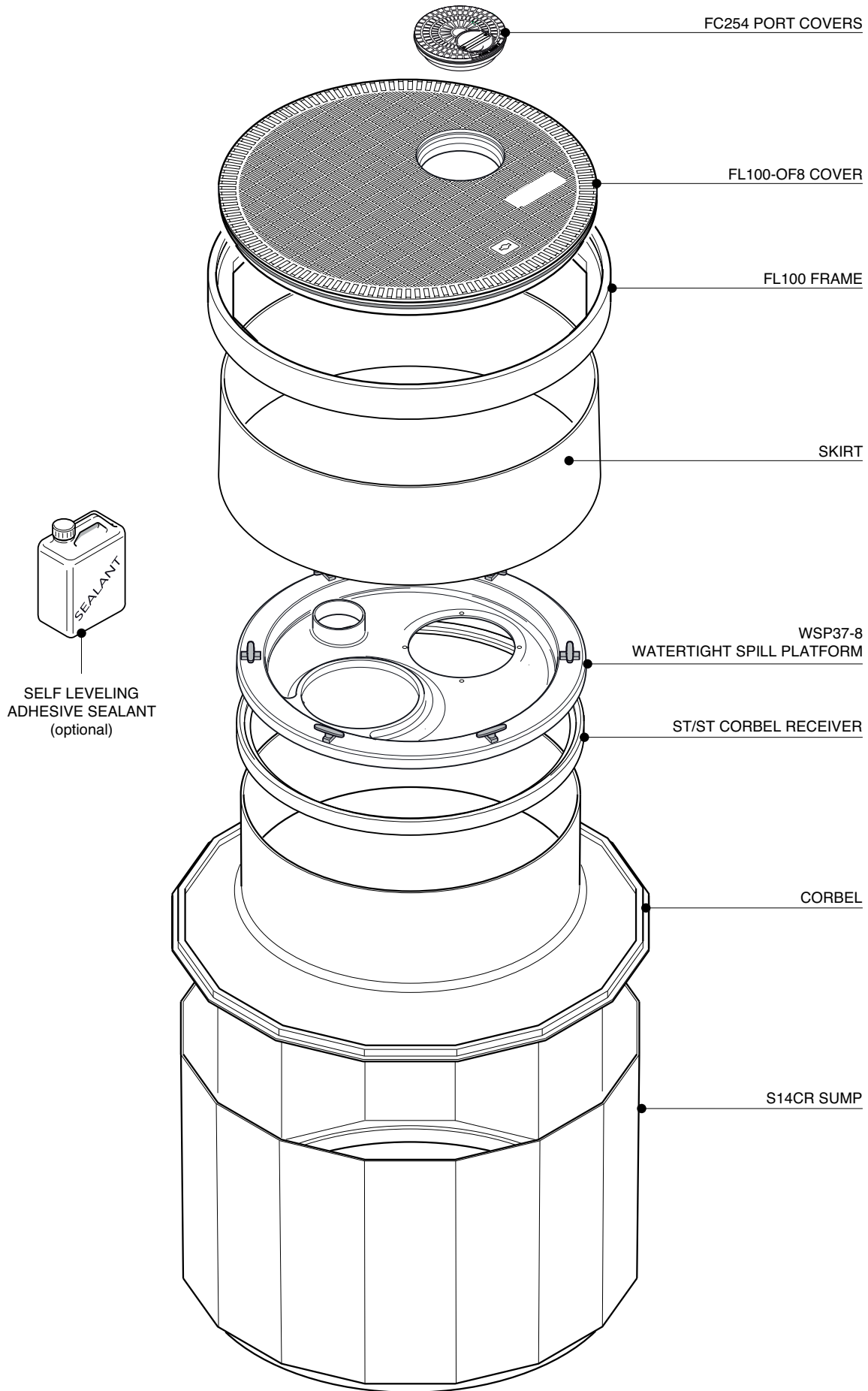


1.4m diameter sump with collar ring, corbel, adjustable height skirt, spill container with offset port, round 1020mm flat sealed cover and frame.

For reference purposes only. This drawing is not a specification. Order against product code only. To enable continuous improvement of our products, the designs and specifications are subject to change without notice.

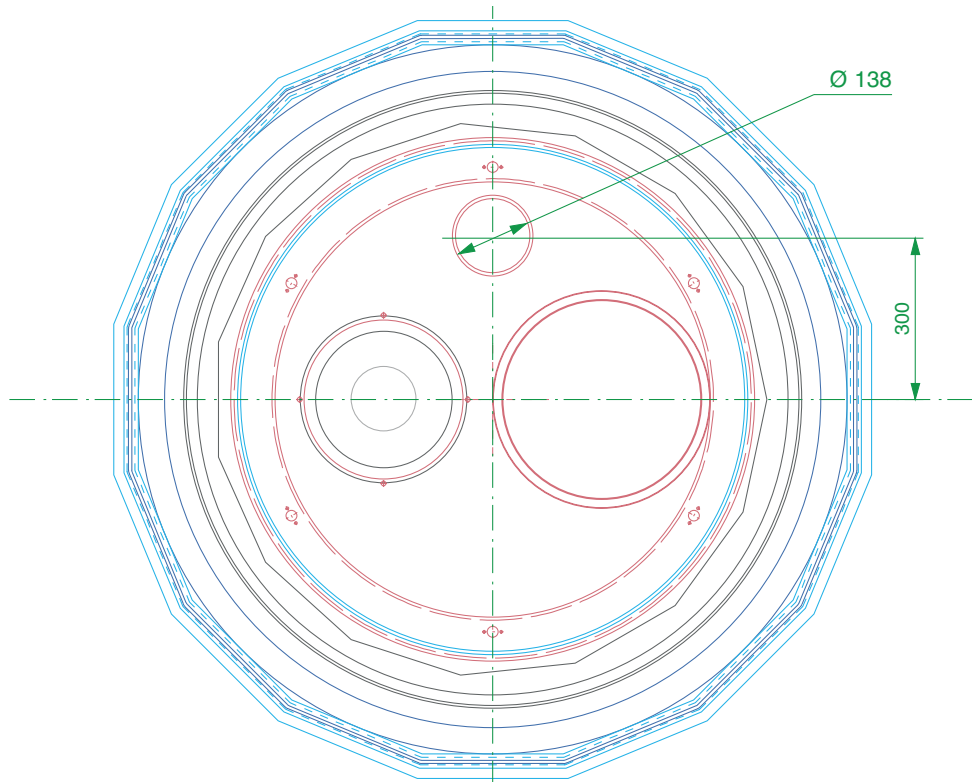
**FIBRELITE**   
PART OF OPW A DOVER COMPANY



1.4m diameter sump with collar ring, corbel, adjustable height skirt, spill container with offset port, round 1020mm flat sealed cover and frame.

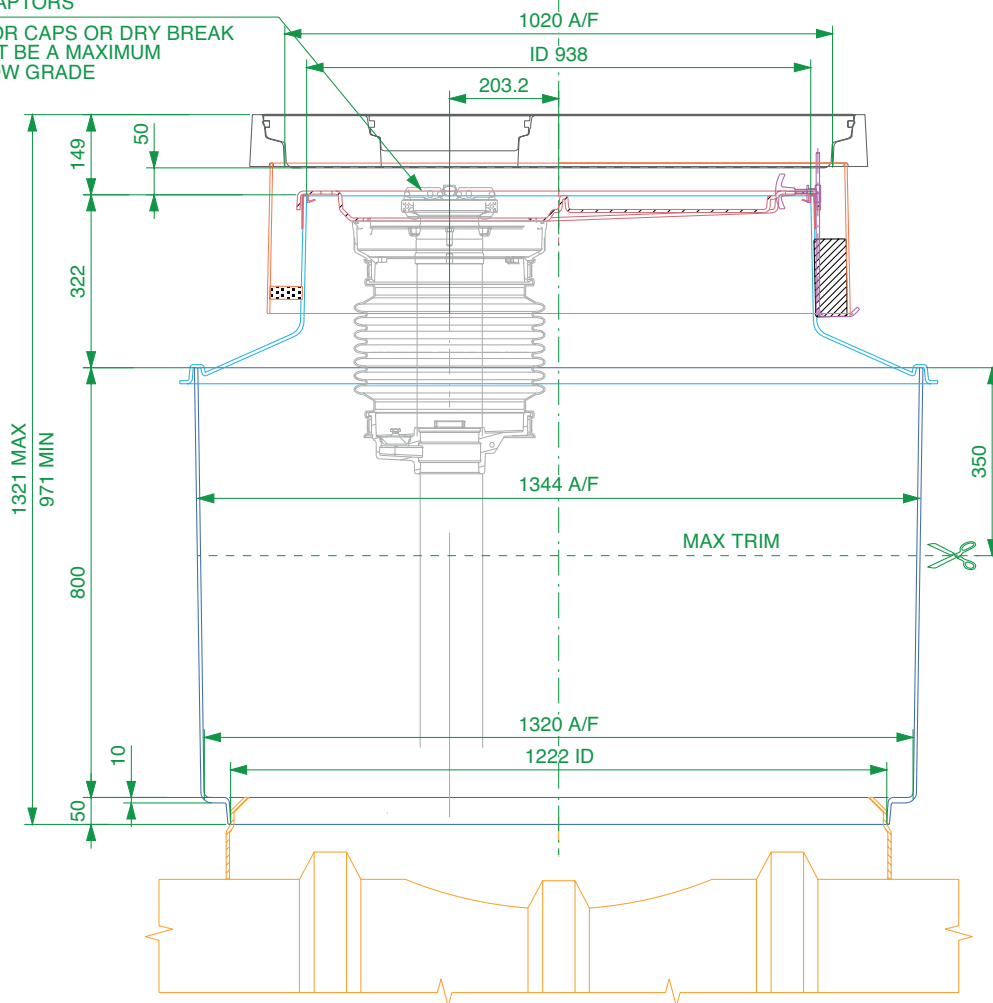
For reference purposes only. This drawing is not a specification. Order against product code only. To enable continuous improvement of our products, the designs and specifications are subject to change without notice.

**FIBRELITE**   
PART OF OPW A DOWER COMPANY



CRITICAL DIMENSION FOR FILL AND VAPOR ADAPTORS

TOP OF ADAPTOR CAPS OR DRY BREAK COUPLING MUST BE A MAXIMUM OF 130mm BELOW GRADE



1.4m diameter sump with collar ring, corbel, adjustable height skirt, spill container with offset port, round 1020mm flat sealed cover and frame.

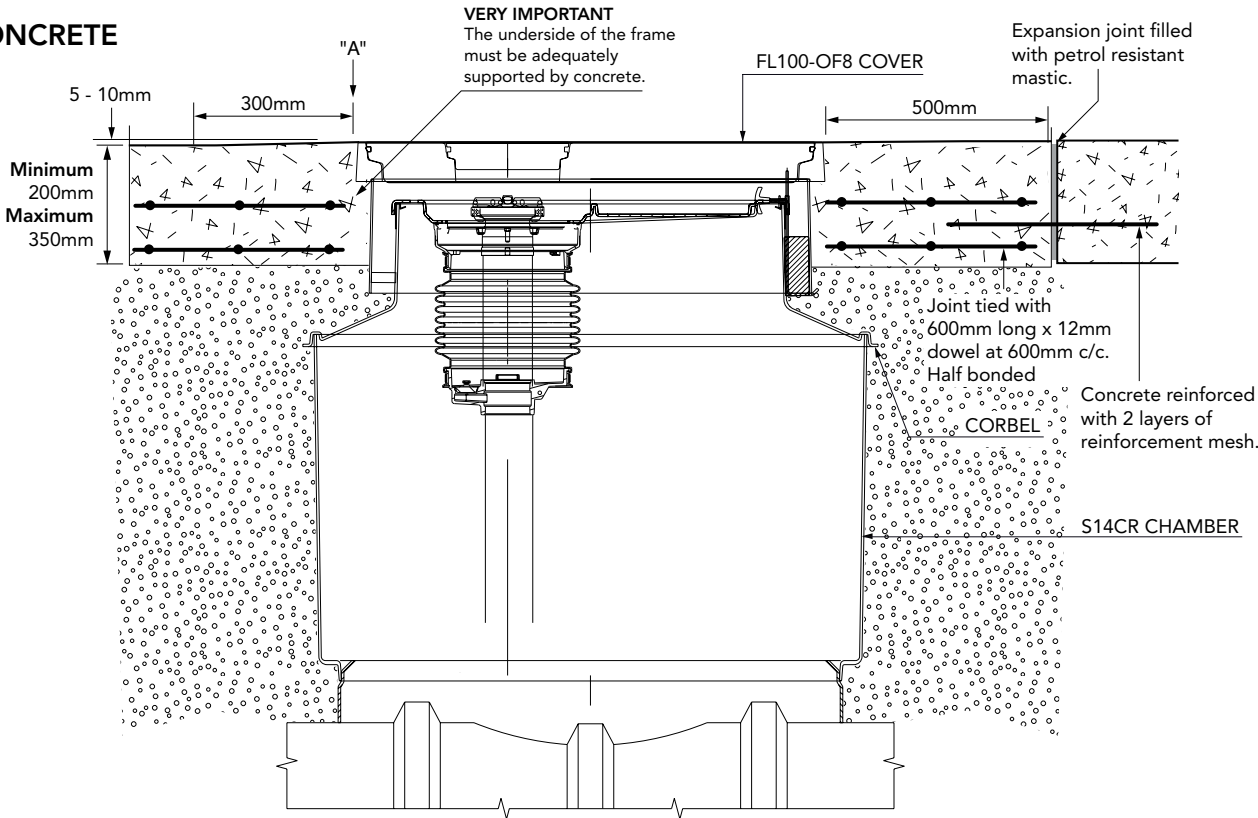
For reference purposes only. This drawing is not a specification. Order against product code only. To enable continuous improvement of our products, the designs and specifications are subject to change without notice.

**FIBRELITE**   
PART OF OPW A DOVER COMPANY

**VERY IMPORTANT**  
 OUTER EDGE "A" OF FRAME SET 5 - 10MM  
 ABOVE GENERAL FORECOURT AREA WITH  
 CONCRETE RAMPED AWAY OVER 300MM.

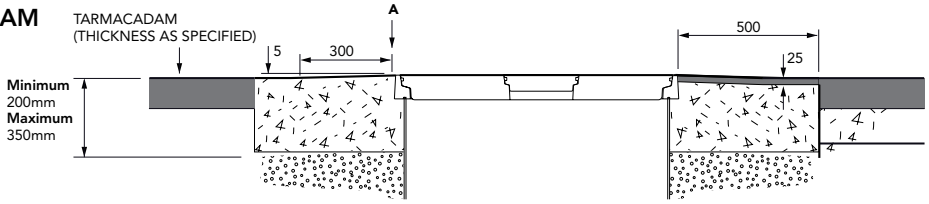
**TYPICAL INSTALLATION**

**CONCRETE**

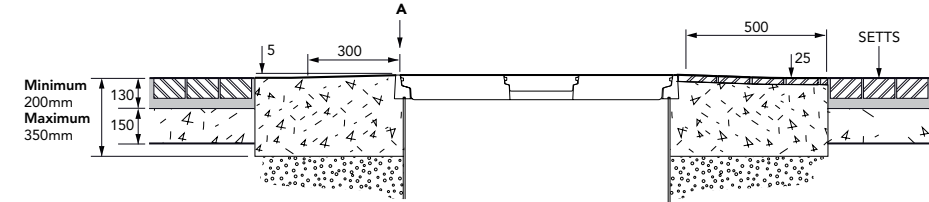


**ALTERNATIVE INSTALLATION ADVICE**

**TARMACADAM**



**SETTS**



1.4m diameter sump with collar ring, corbel, adjustable height skirt, spill container with offset port, round 1020mm flat sealed cover and frame.

For reference purposes only. This drawing is not a specification. Order against product code only. To enable continuous improvement of our products, the designs and specifications are subject to change without notice.

