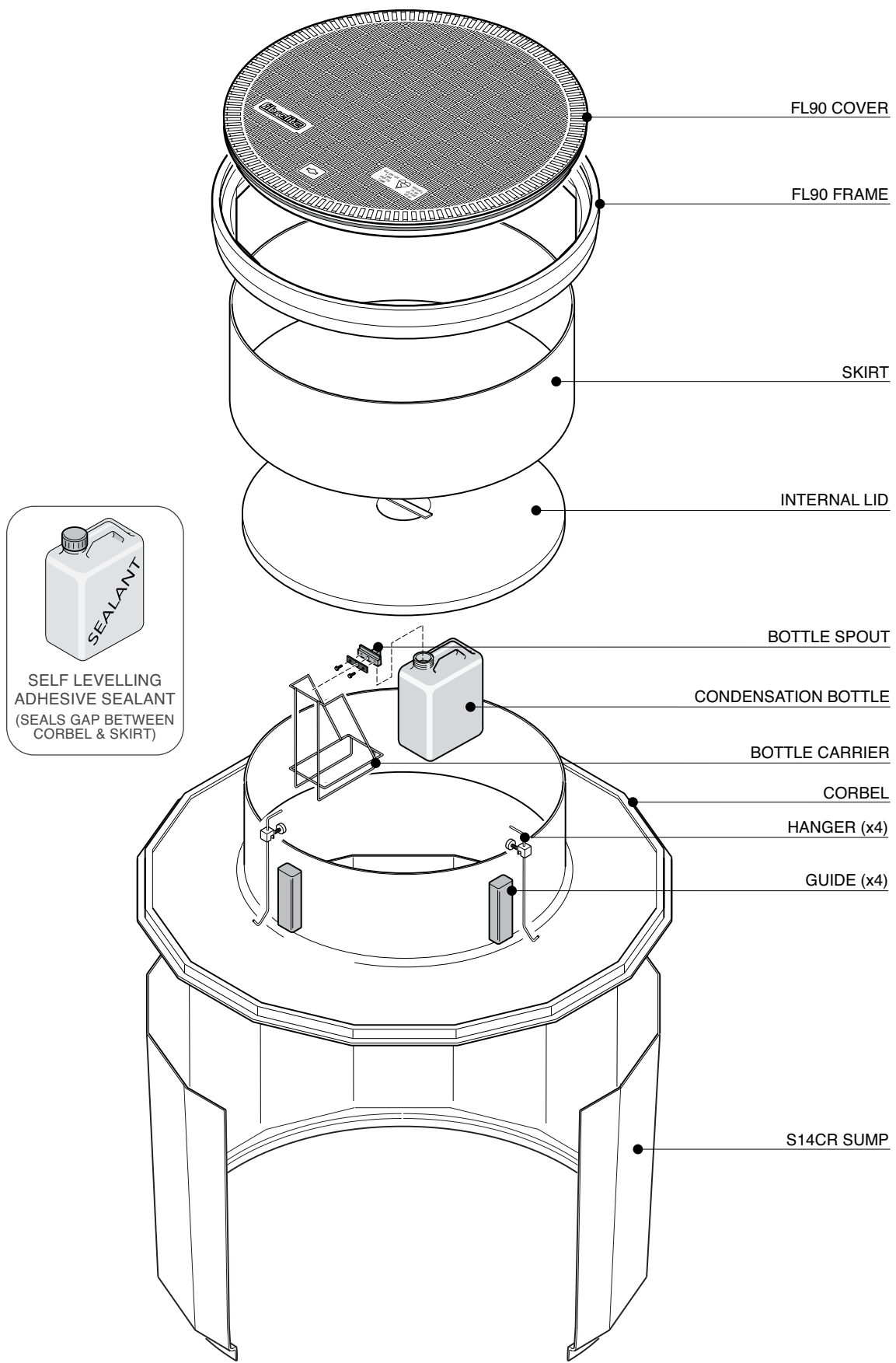


1.2m diameter sump to fit 1.2m collar ring, with corbel, internal lid, adjustable skirt and round 900mm flat sealed cover, corbel/skirt sealkit with condensation bottle and fixing kit.

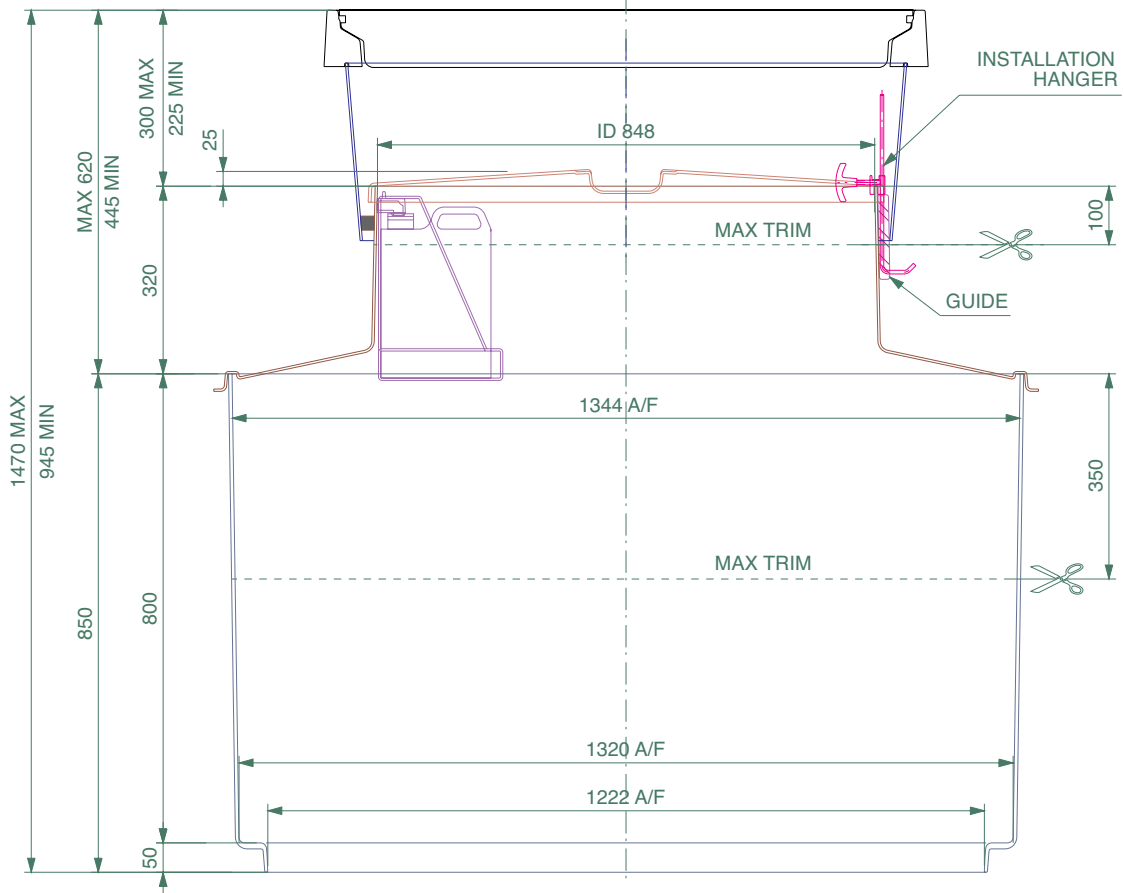
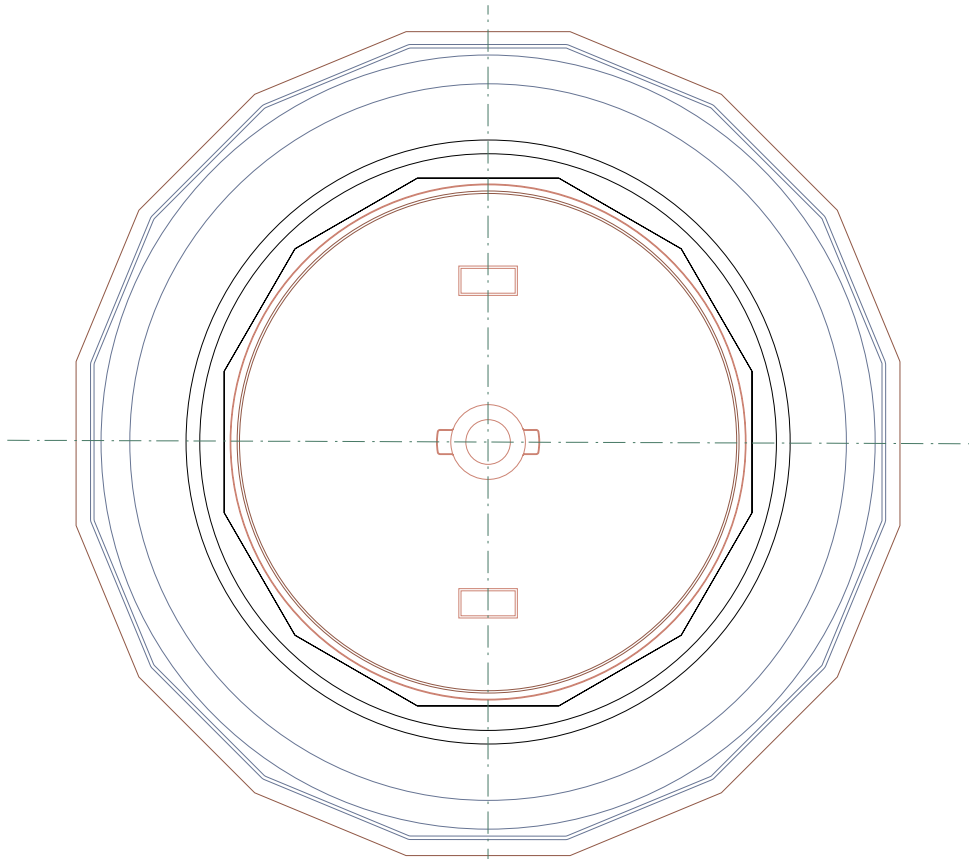
For reference purposes only. This drawing is not a specification. Order against product code only. To enable continuous improvement of our products, the designs and specifications are subject to change without notice.



1.2m diameter sump to fit 1.2m collar ring, with corbel, internal lid, adjustable skirt and round 900mm flat sealed cover, corbel/skirt sealkit with condensation bottle and fixing kit.

For reference purposes only. This drawing is not a specification. Order against product code only. To enable continuous improvement of our products, the designs and specifications are subject to change without notice.





1.2m diameter sump to fit 1.2m collar ring, with corbel, internal lid, adjustable skirt and round 900mm flat sealed cover, corbel/skirt sealkit with condensation bottle and fixing kit.

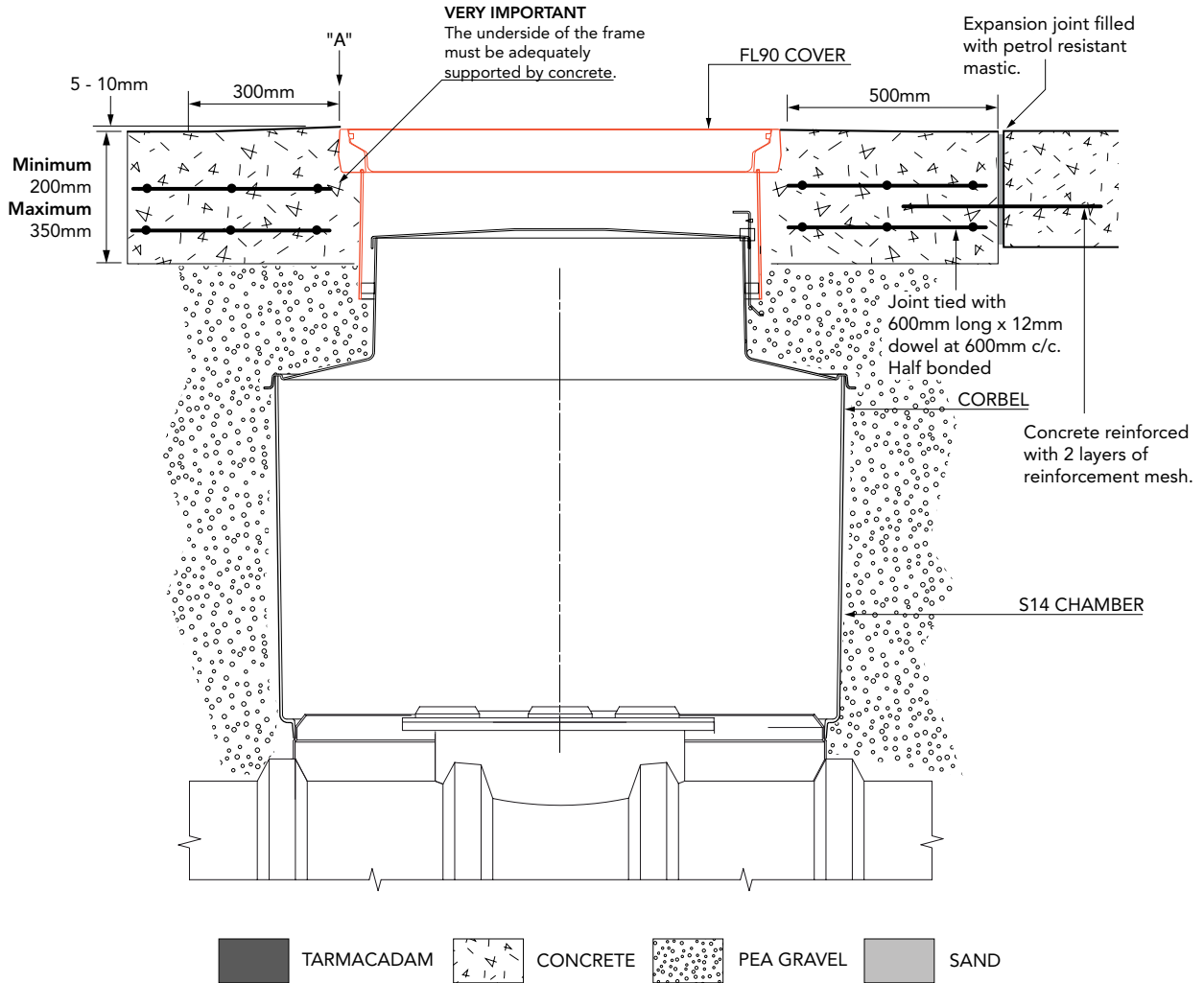
For reference purposes only. This drawing is not a specification. Order against product code only. To enable continuous improvement of our products, the designs and specifications are subject to change without notice.

FIBRELITE 
PART OF OPW A DOVER COMPANY

VERY IMPORTANT
 OUTER EDGE "A" OF FRAME SET 5 - 10MM
 ABOVE GENERAL FORECOURT AREA WITH
 CONCRETE RAMPED AWAY OVER 300MM.

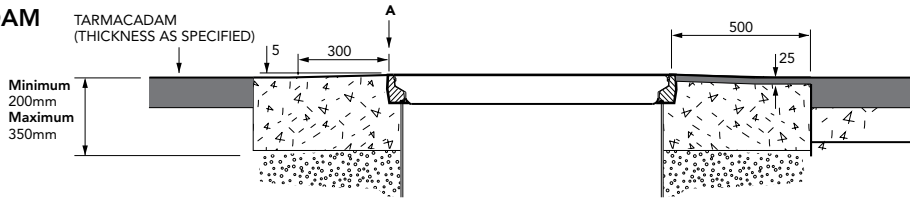
TYPICAL INSTALLATION

CONCRETE

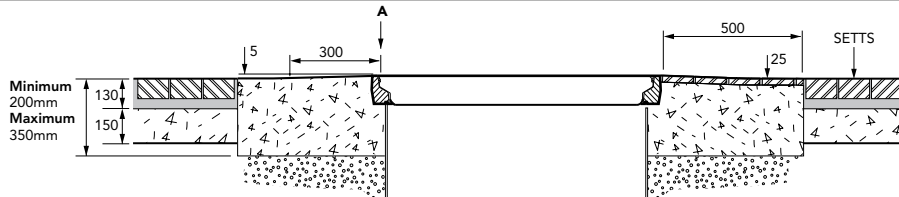


ALTERNATIVE INSTALLATION ADVICE

TARMACADAM



SETTS



1.2m diameter sump to fit 1.2m collar ring, with corbel, internal lid, adjustable skirt and round 900mm flat sealed cover, corbel/skirt sealkit with condensation bottle and fixing kit.

For reference purposes only. This drawing is not a specification. Order against product code only. To enable continuous improvement of our products, the designs and specifications are subject to change without notice.

