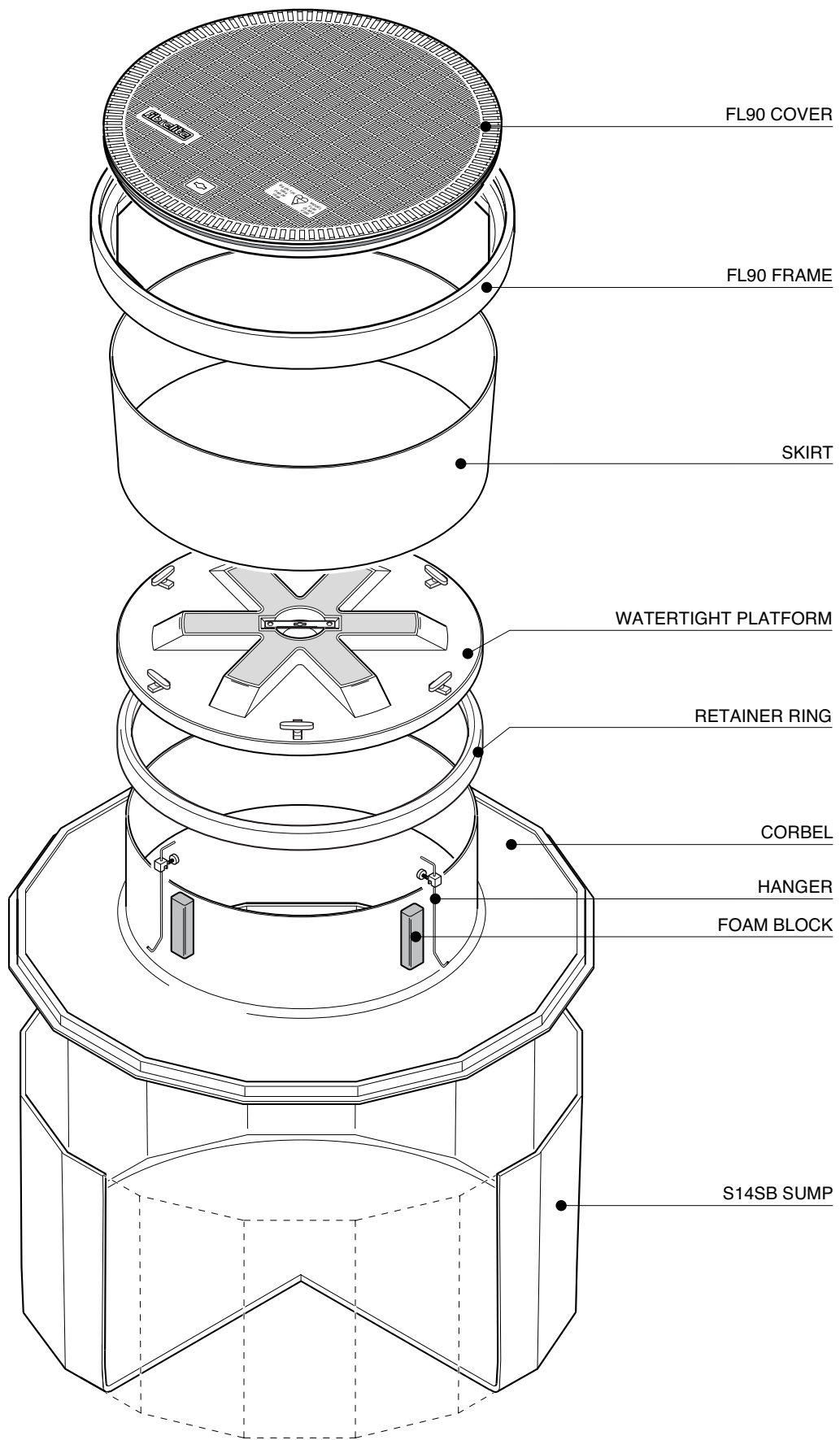


1.4m dia. solid bolted base chamber, corbel, adjustable height skirt, internal watertight platform, 900mm dia. watertight flat sealed cover and frame.

For reference purposes only. This drawing is not a specification. Order against product code only. To enable continuous improvement of our products, the designs and specifications are subject to change without notice.

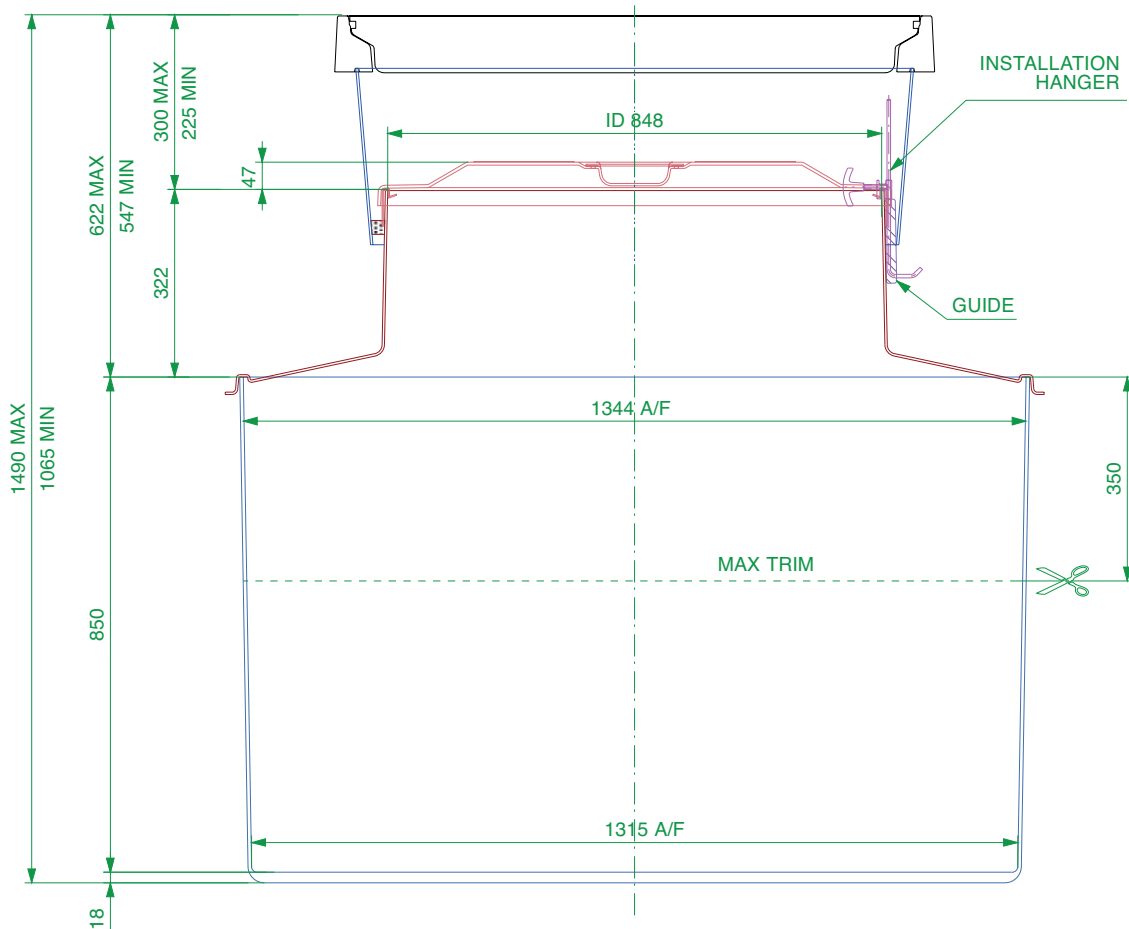
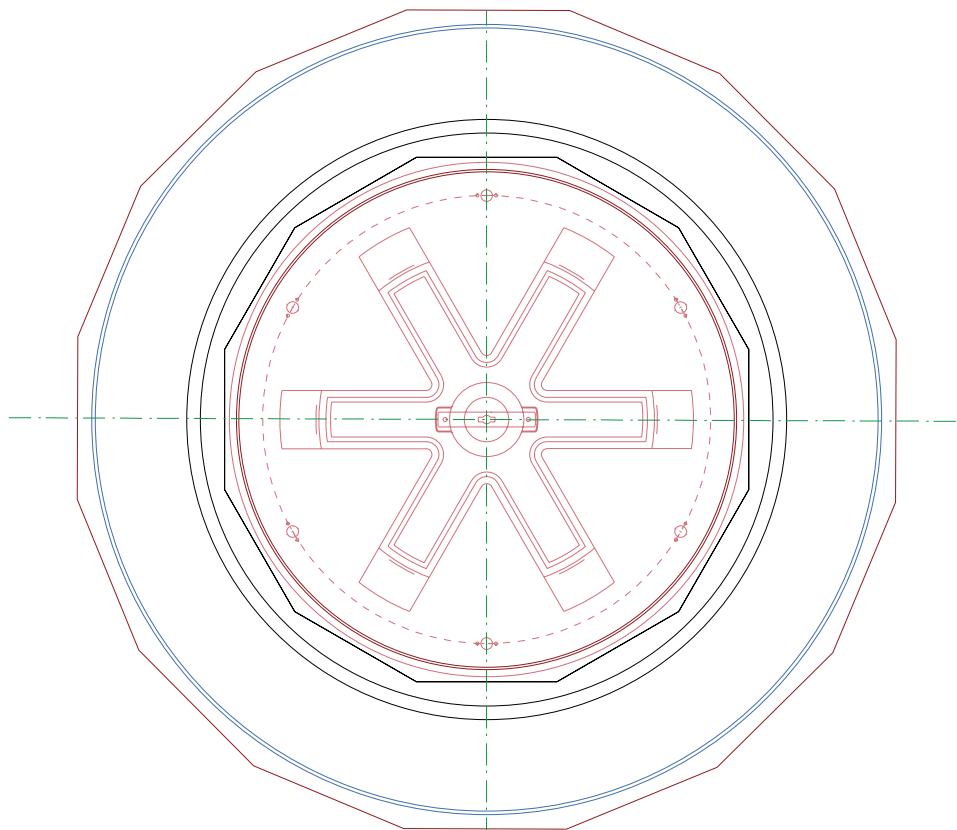
FIBRELITE 
PART OF OPW A DOVER COMPANY



1.4m dia. solid bolted base chamber, corbel, adjustable height skirt, internal watertight platform, 900mm dia. watertight flat sealed cover and frame.

For reference purposes only. This drawing is not a specification. Order against product code only. To enable continuous improvement of our products, the designs and specifications are subject to change without notice.

FIBRELITE 
PART OF OPW A DOVER COMPANY



1.4m dia. solid bolted base chamber, corbel, adjustable height skirt, internal watertight platform, 900mm dia. watertight flat sealed cover and frame.

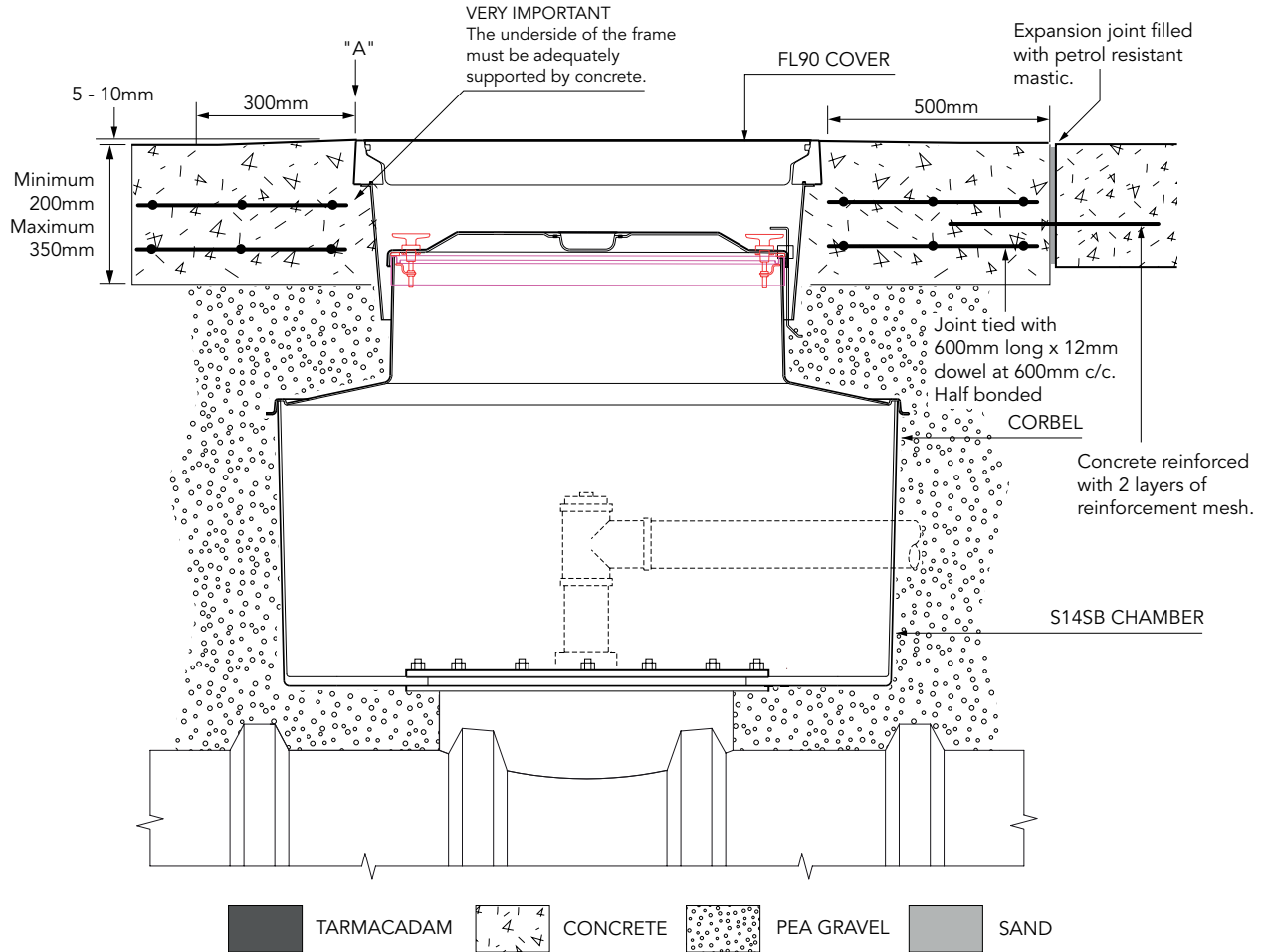
For reference purposes only. This drawing is not a specification. Order against product code only. To enable continuous improvement of our products, the designs and specifications are subject to change without notice.

FIBRELITE 
 PART OF OPW A DOVER COMPANY

! VERY IMPORTANT !
OUTER EDGE "A" OF FRAME SET 5 - 10MM
ABOVE GENERAL FORECOURT AREA WITH
CONCRETE RAMPED AWAY OVER 300MM.

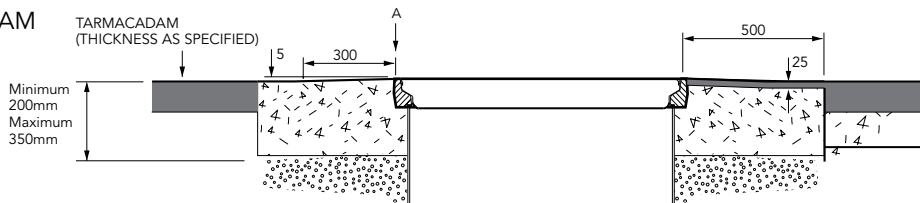
TYPICAL INSTALLATION

CONCRETE

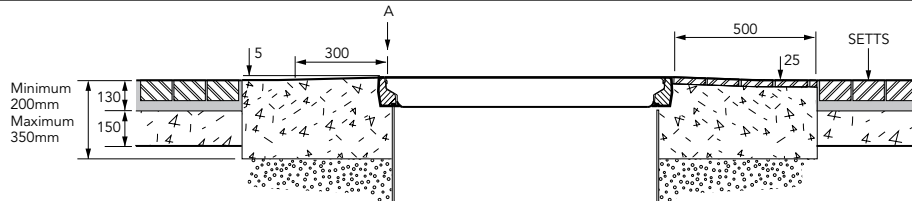


ALTERNATIVE INSTALLATION ADVICE

TARMACADAM



SETTS



1.4m dia. solid bolted base chamber, corbel, adjustable height skirt, internal watertight platform, 900mm dia. watertight flat sealed cover and frame.

For reference purposes only. This drawing is not a specification. Order against product code only. To enable continuous improvement of our products, the designs and specifications are subject to change without notice.

