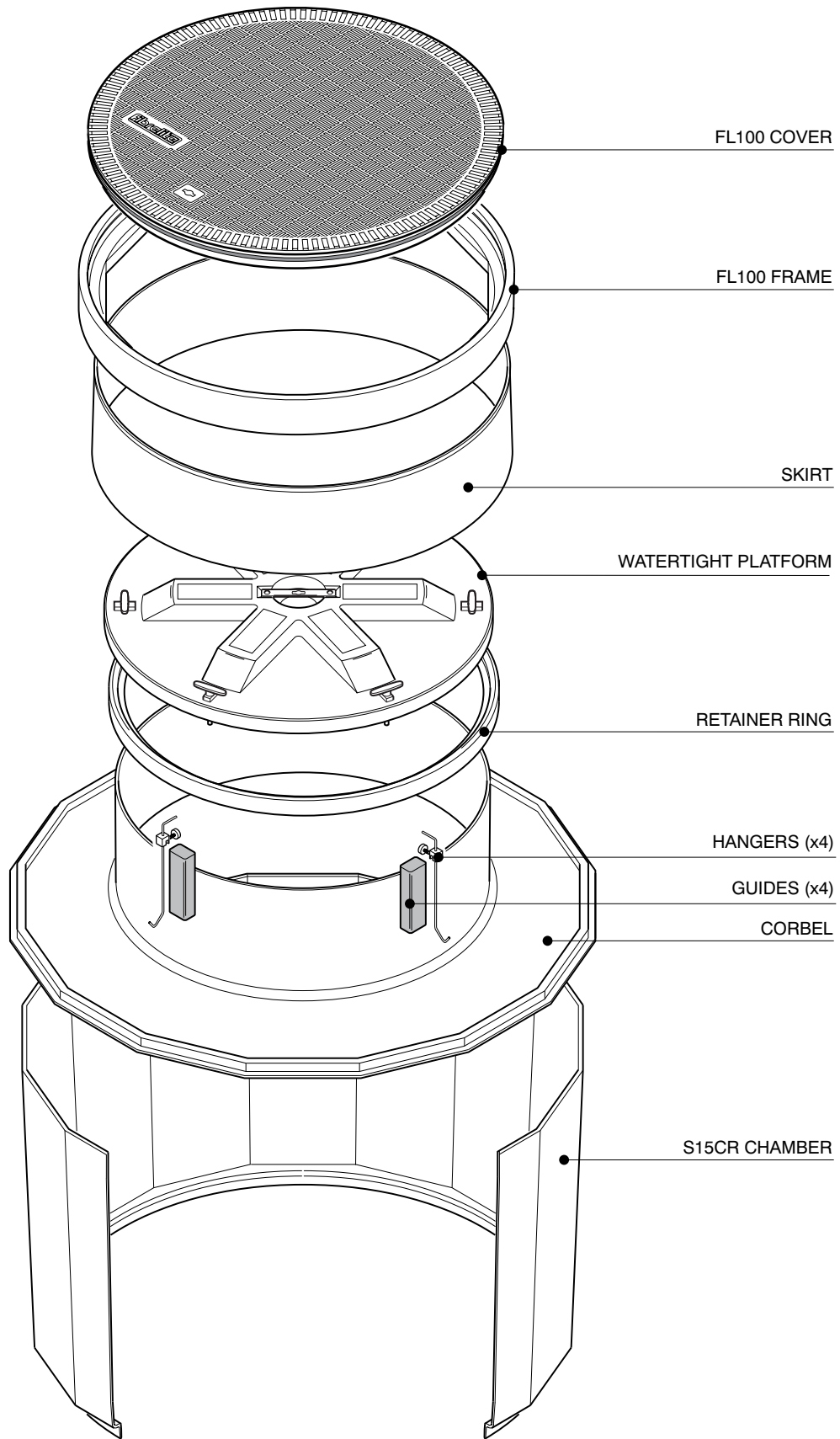


1.45m diameter sump with collar ring, corbel, sealed watertight lid, adjustable height skirt and round 1020mm flat sealed cover and frame.

For reference purposes only. This drawing is not a specification. Order against product code only. To enable continuous improvement of our products, the designs and specifications are subject to change without notice.

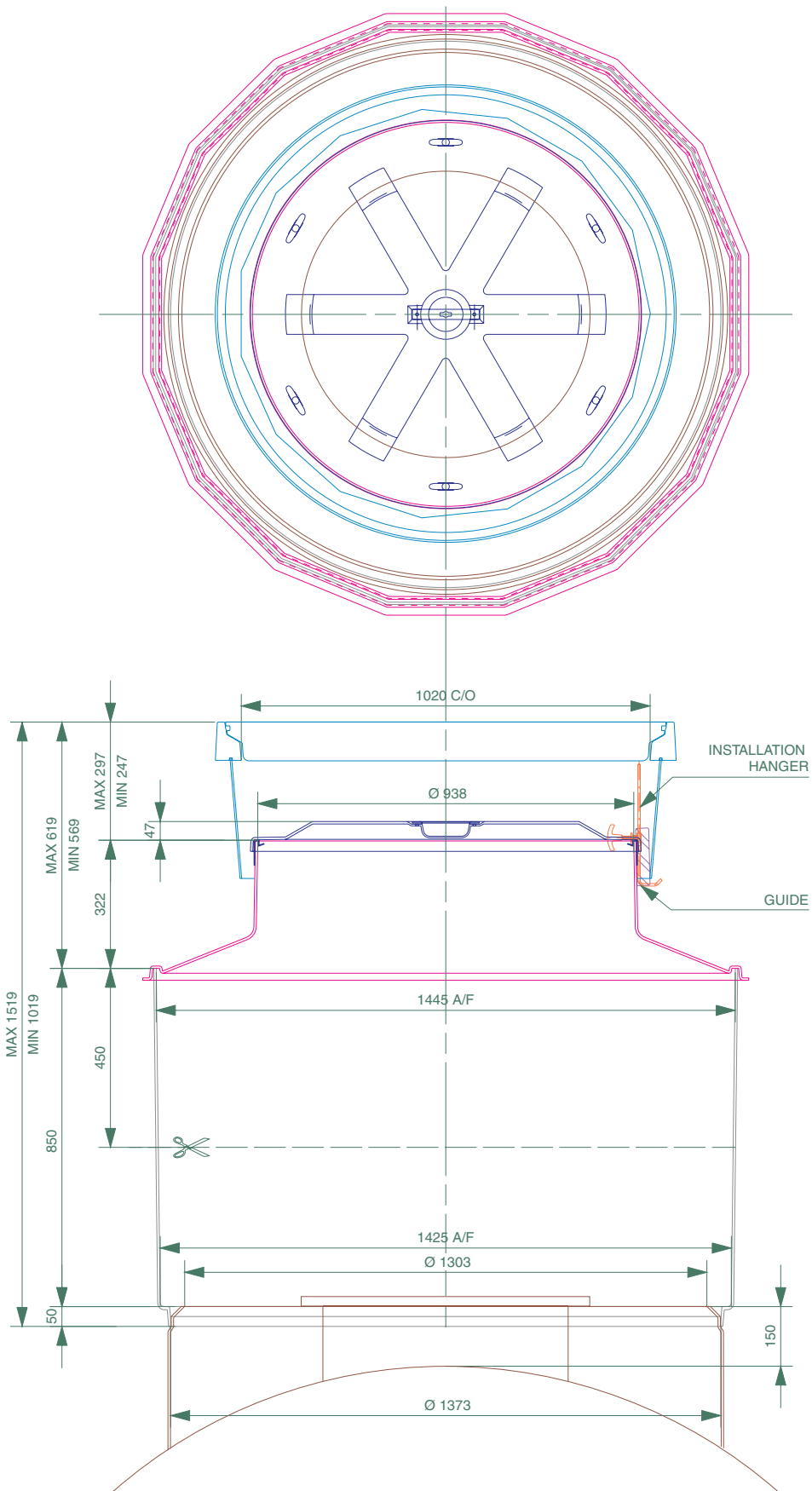
FIBRELITE 
PART OF OPW A DOVER COMPANY



1.45m diameter sump with collar ring, corbel, sealed watertight lid, adjustable height skirt and round 1020mm flat sealed cover and frame.

For reference purposes only. This drawing is not a specification. Order against product code only. To enable continuous improvement of our products, the designs and specifications are subject to change without notice.

FIBRELITE 
PART OF GPW A DOVER COMPANY



1.45m diameter sump with collar ring, corbel, sealed watertight lid, adjustable height skirt and round 1020mm flat sealed cover and frame.

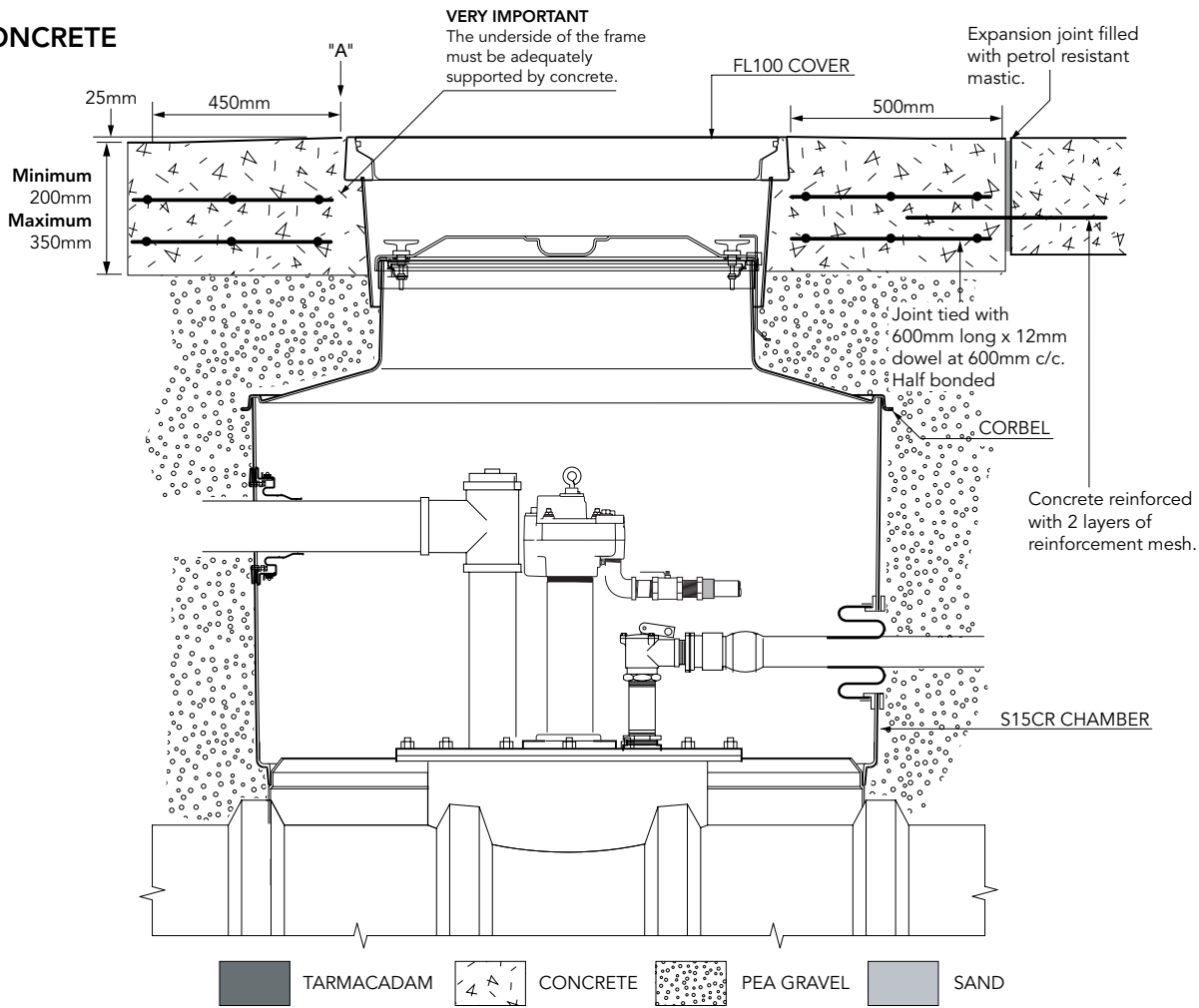
For reference purposes only. This drawing is not a specification. Order against product code only. To enable continuous improvement of our products, the designs and specifications are subject to change without notice.

FIBRELITE 
PART OF OPW A DOVER COMPANY

VERY IMPORTANT
 SET OUTER EDGE 'A' OF FRAME 25MM
 ABOVE GENERAL FORECOURT AREA
 RAMPED AWAY OVER 450MM

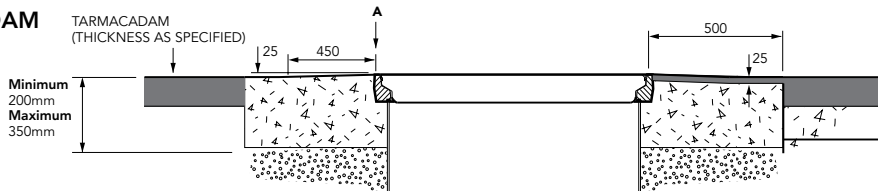
TYPICAL INSTALLATION

CONCRETE



ALTERNATIVE INSTALLATION ADVICE

TARMACADAM



1.45m diameter sump with collar ring, corbel, sealed watertight lid, adjustable height skirt and round 1020mm flat sealed cover and frame.

For reference purposes only. This drawing is not a specification. Order against product code only. To enable continuous improvement of our products, the designs and specifications are subject to change without notice.

