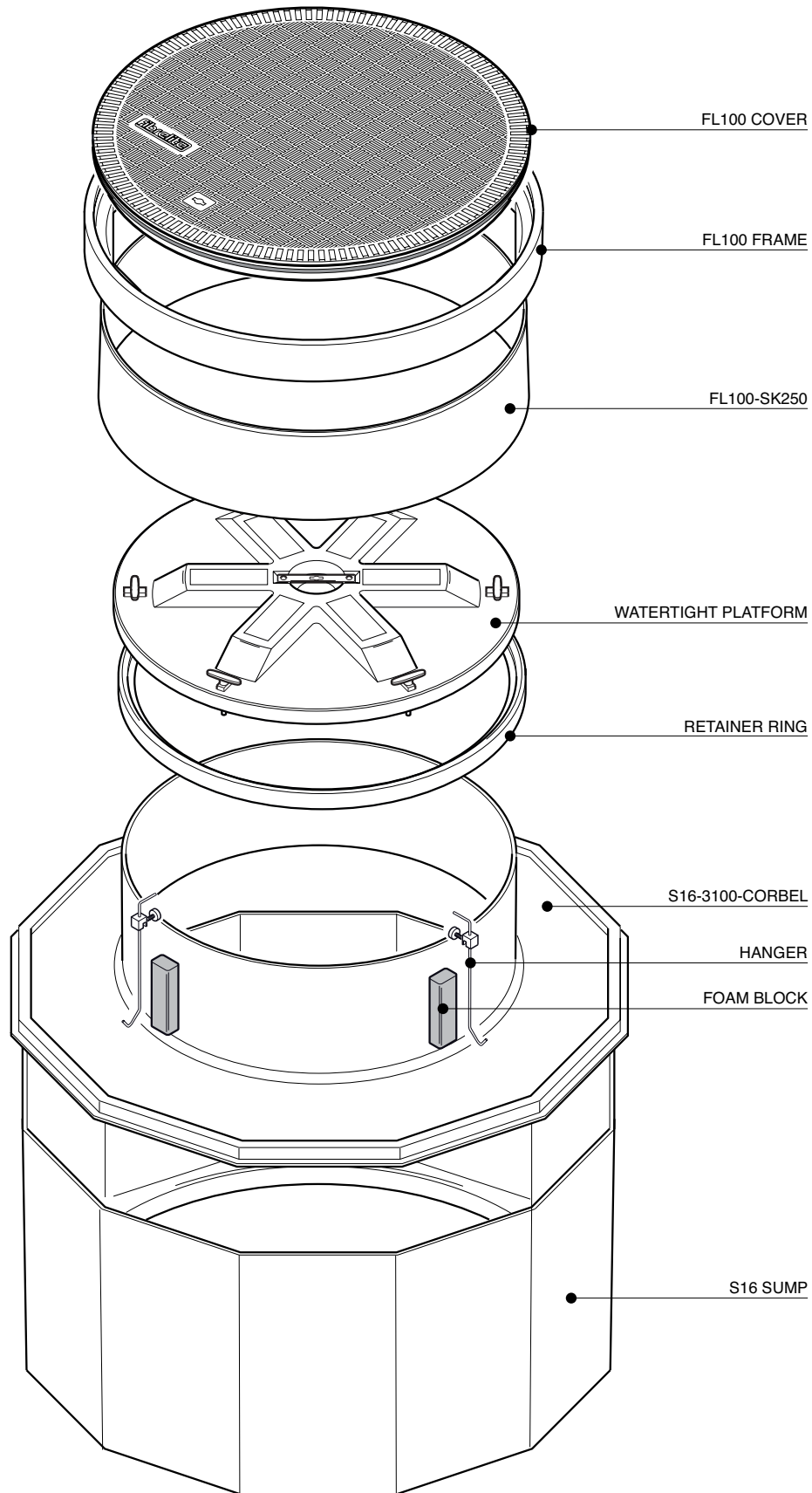


1.5m diameter 12 sided sump with reverse flange, corbel, adjustable height skirt, internal watertight platform, round 1020mm flat sealed cover and frame.

For reference purposes only. This drawing is not a specification. Order against product code only. To enable continuous improvement of our products, the designs and specifications are subject to change without notice.

**FIBRELITE**   
PART OF OPW A DOVER COMPANY

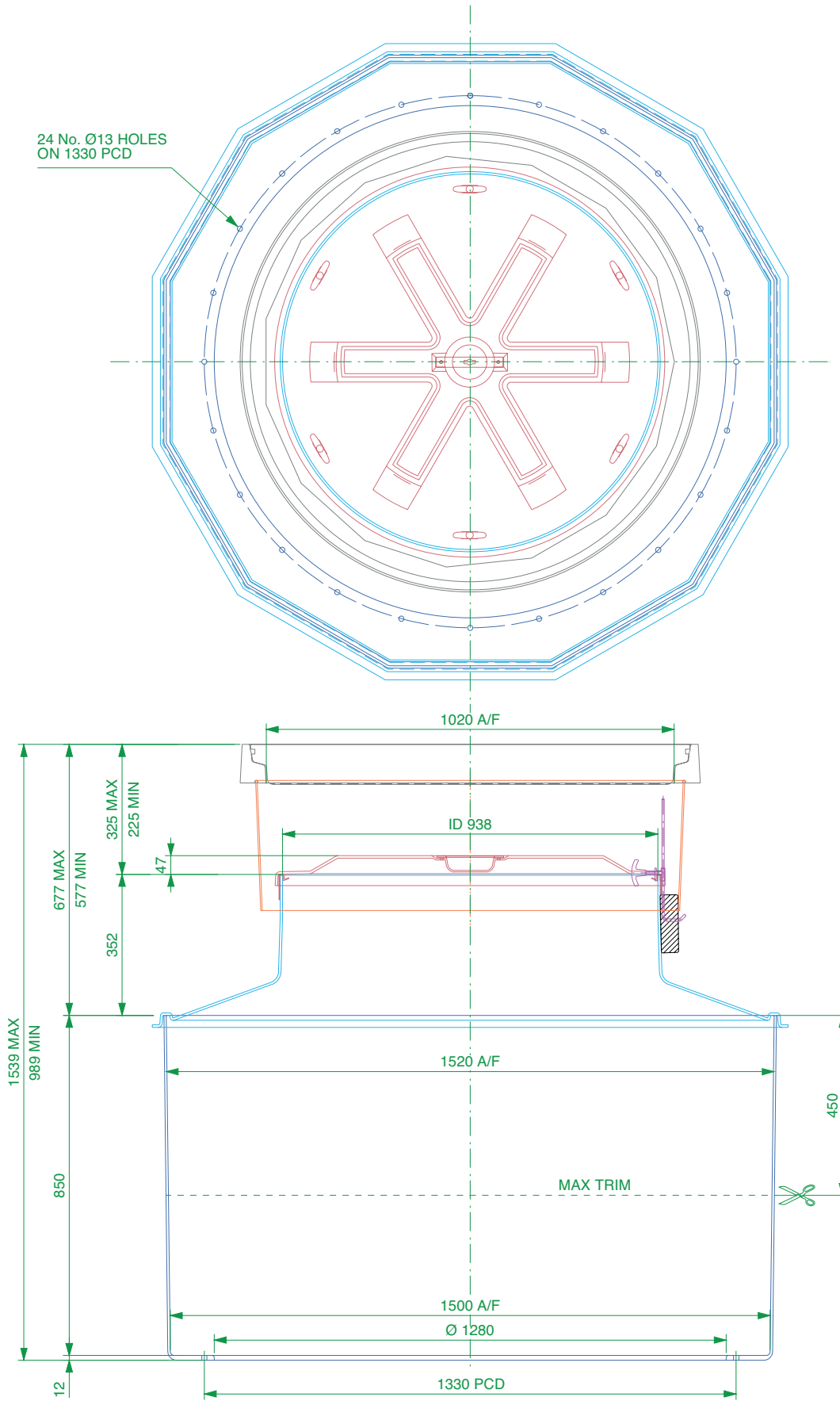


1.5m diameter 12 sided sump with reverse flange, corbel, adjustable height skirt, internal watertight platform, round 1020mm flat sealed cover and frame.

For reference purposes only. This drawing is not a specification. Order against product code only. To enable continuous improvement of our products, the designs and specifications are subject to change without notice.

**FIBRELITE**   
PART OF GPW A DOVER COMPANY

24 No. Ø13 HOLES  
ON 1330 PCD



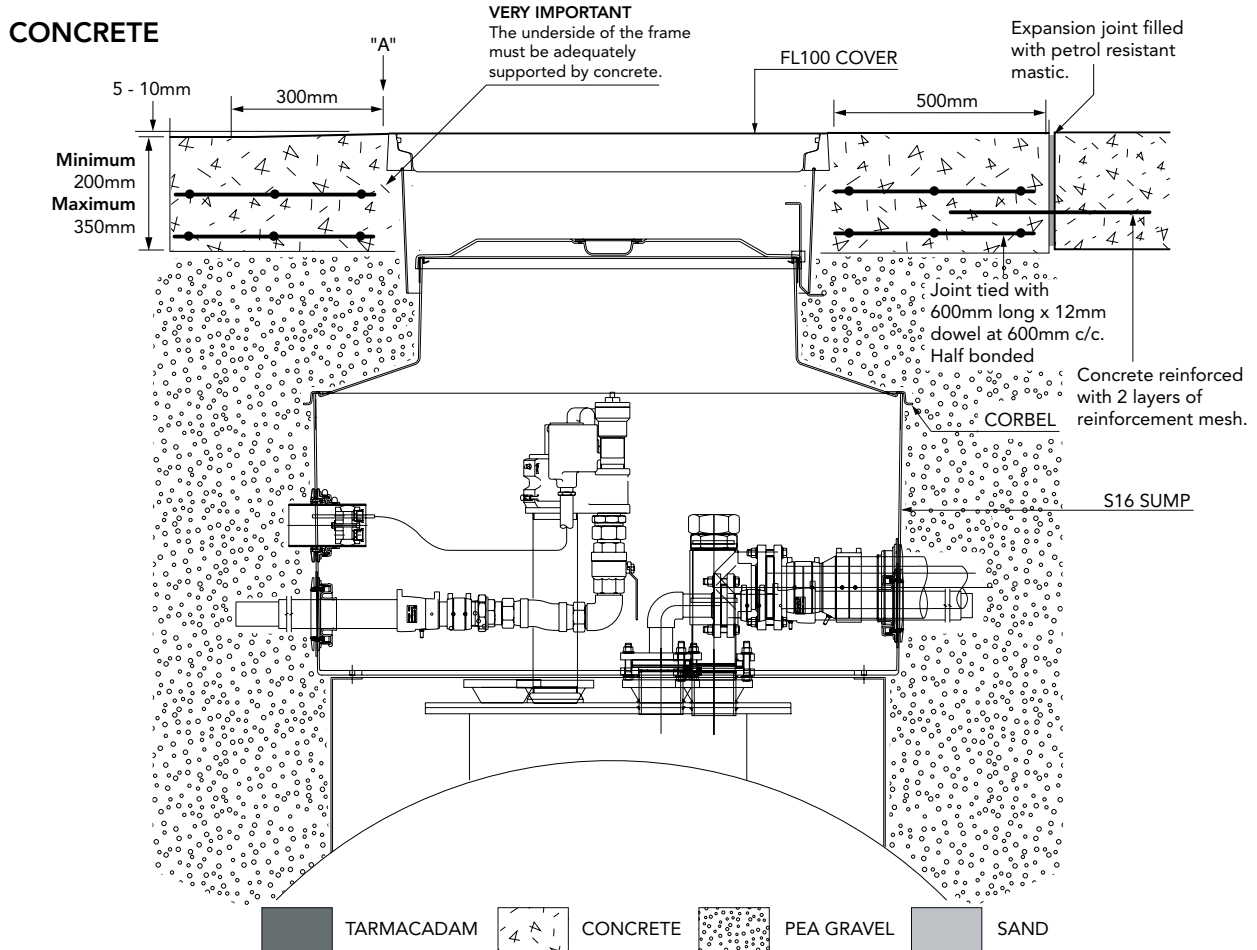
1.5m diameter 12 sided sump with reverse flange, corbel, adjustable height skirt, internal watertight platform, round 1020mm flat sealed cover and frame.

For reference purposes only. This drawing is not a specification. Order against product code only. To enable continuous improvement of our products, the designs and specifications are subject to change without notice.

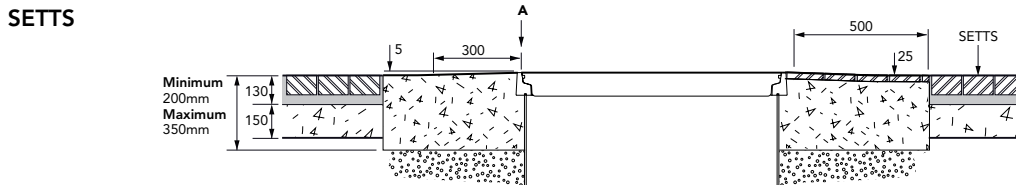
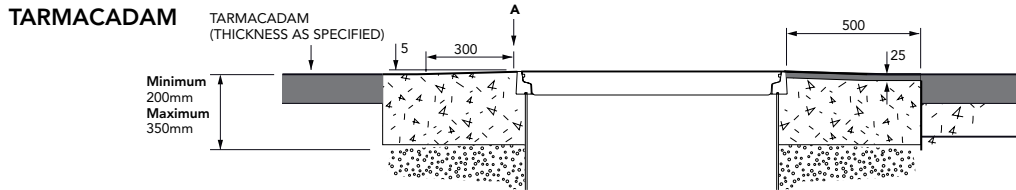
**FIBRELITE**   
PART OF OPW A DOWDER COMPANY

**VERY IMPORTANT**  
 OUTER EDGE "A" OF FRAME SET 5 - 10MM  
 ABOVE GENERAL FORECOURT AREA WITH  
 CONCRETE RAMPED AWAY OVER 300MM.

**TYPICAL INSTALLATION**



**ALTERNATIVE INSTALLATION ADVICE**



1.5m diameter 12 sided sump with reverse flange, corbel, adjustable height skirt, internal watertight platform, round 1020mm flat sealed cover and frame.

For reference purposes only. This drawing is not a specification. Order against product code only. To enable continuous improvement of our products, the designs and specifications are subject to change without notice.

**FIBRELITE**

PART OF OPW A DOVER COMPANY