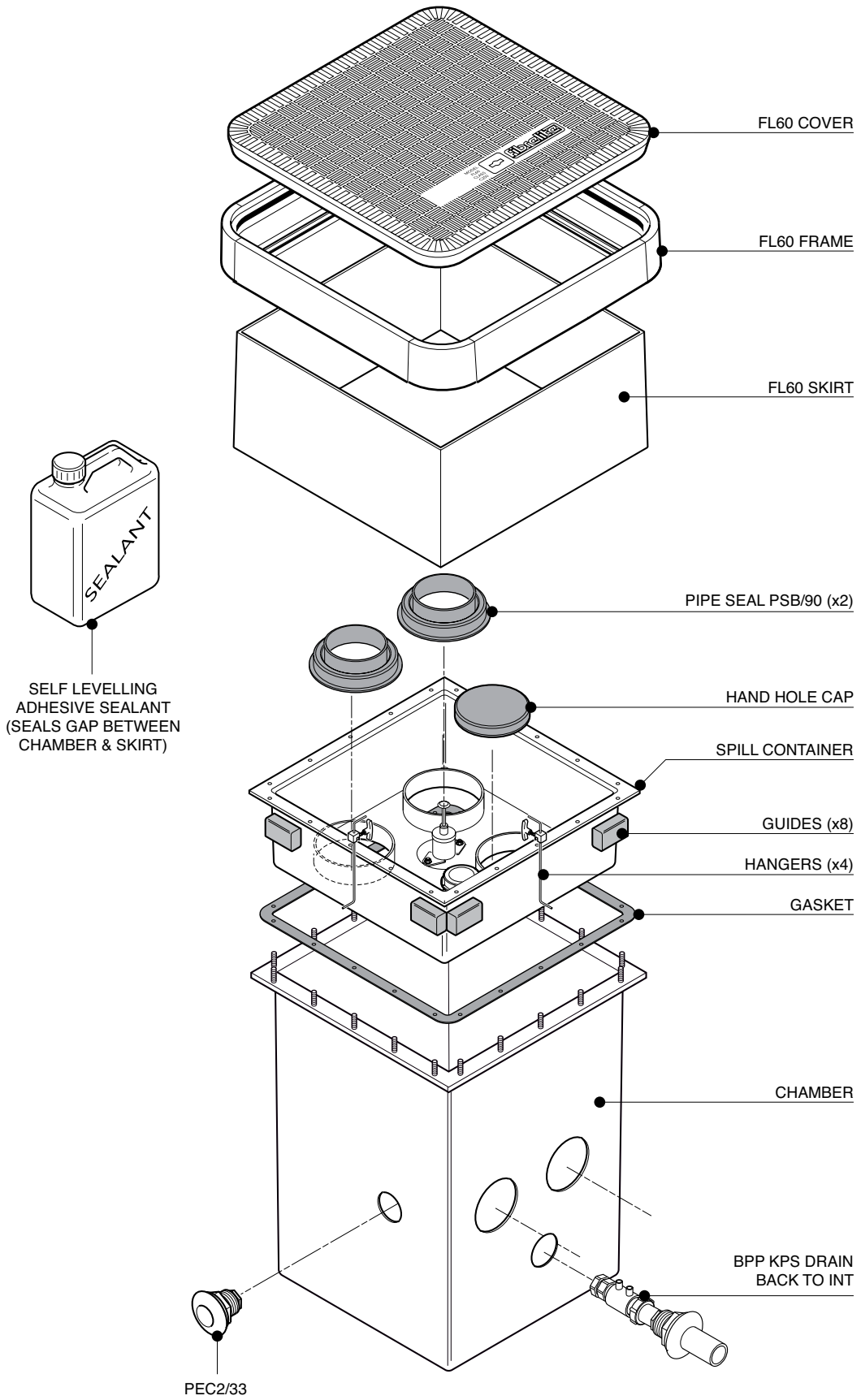


490mm square x 600mm deep GRP chamber with a GRP spill container and 600mm square flat sealed cover.
2 x Fills and drain back hose kit.

For reference purposes only. This drawing is not a specification. Order against product code only. To enable continuous improvement of our products, the designs and specifications are subject to change without notice.

FIBRELITE 
PART OF OPW A DOVER COMPANY

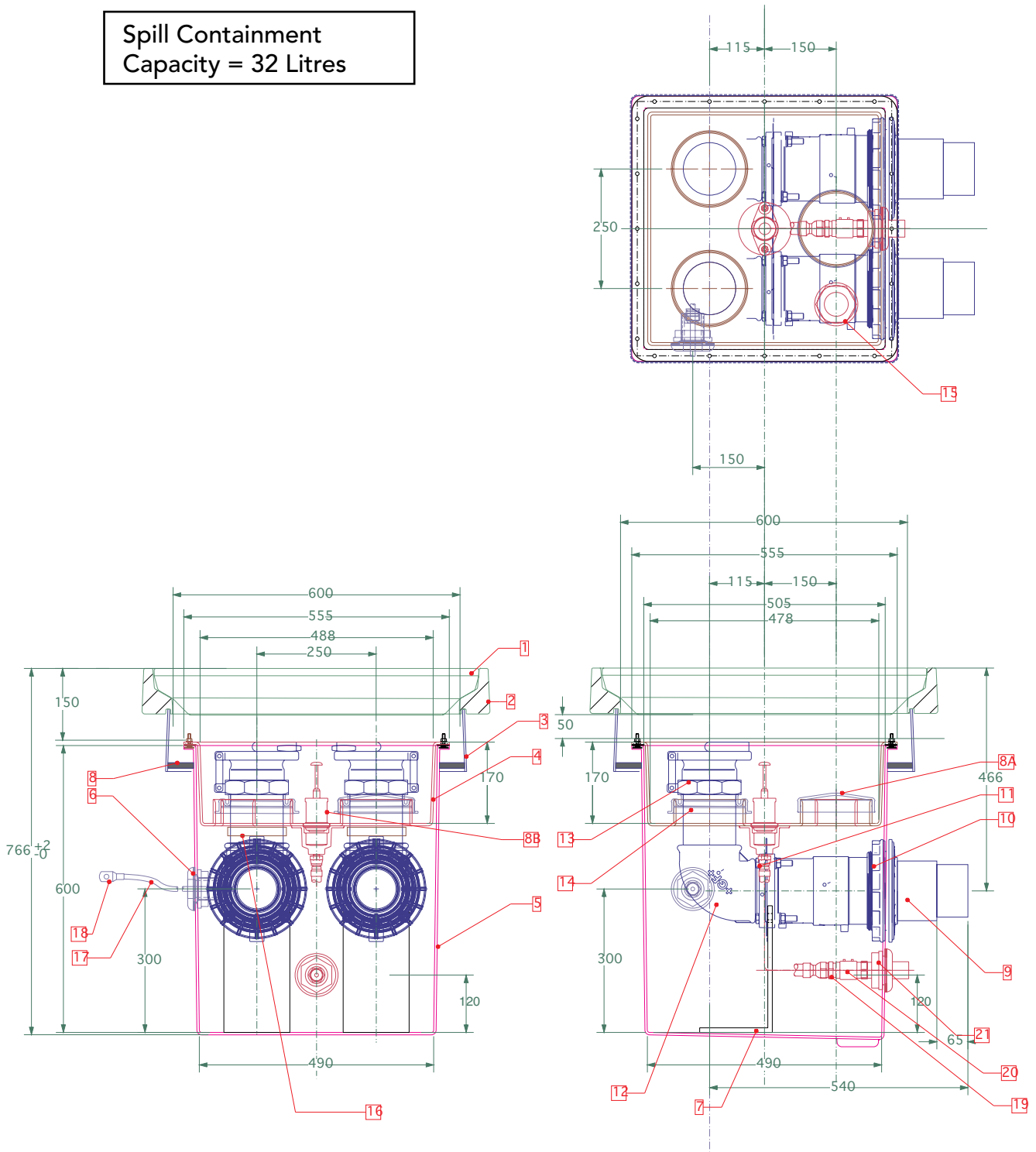


490mm square x 600mm deep GRP chamber with a GRP spill container and 600mm square flat sealed cover.
 2 x Fills and drain back hose kit.

For reference purposes only. This drawing is not a specification. Order against product code only. To enable continuous improvement of our products, the designs and specifications are subject to change without notice.



Spill Containment
Capacity = 32 Litres



490mm square x 600mm deep GRP chamber with a GRP spill container and 600mm square flat sealed cover.
2 x Fills and drain back hose kit.

For reference purposes only. This drawing is not a specification. Order against product code only. To enable continuous improvement of our products, the designs and specifications are subject to change without notice.

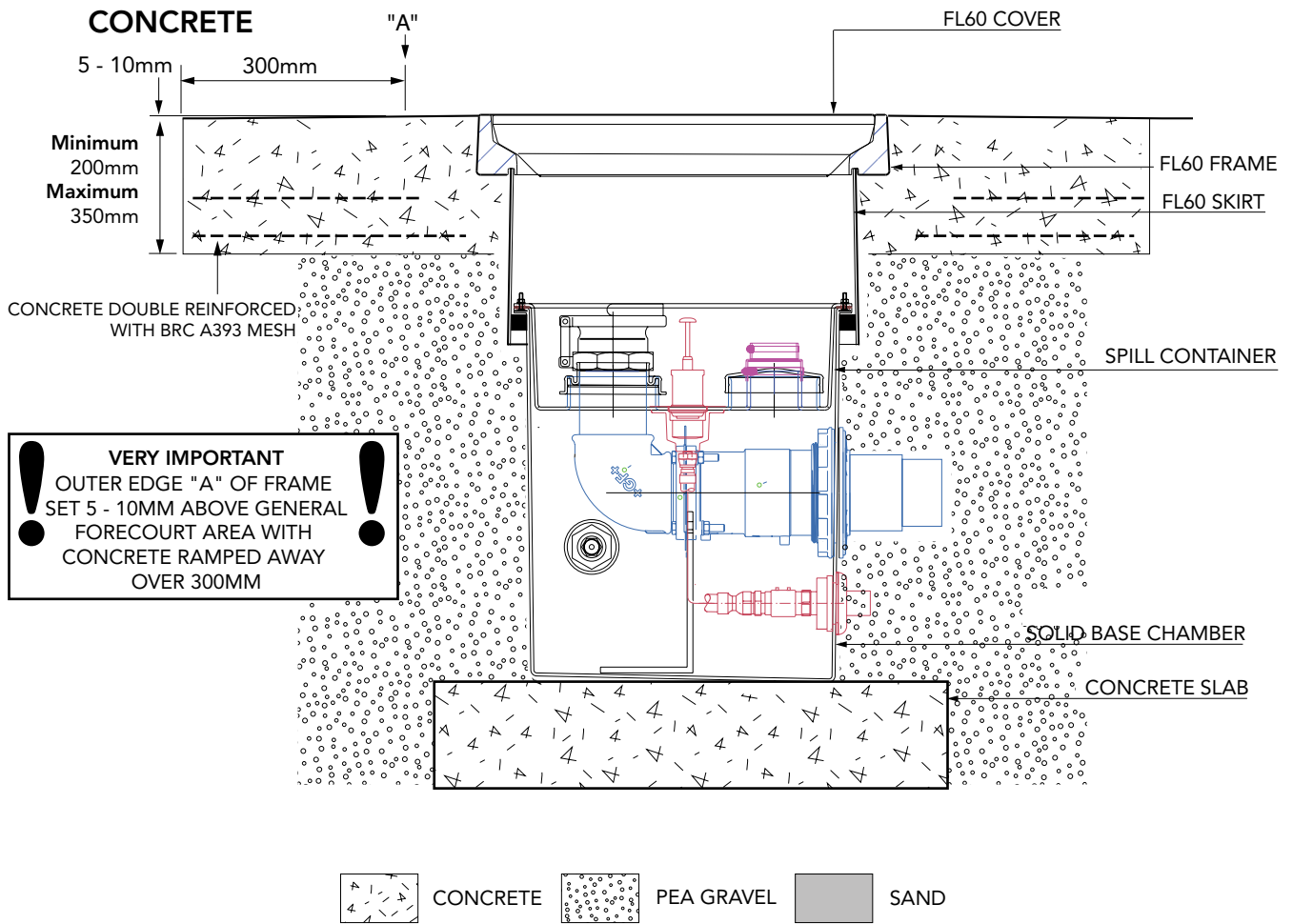
FIBRELITE 
PART OF OPW A DOVER COMPANY

	ITEM	QTY
1	Fibrelite FL60 Cover	1
2	Fibrelite FL60 Frame	1
3	Fibrelite 280mm deep skirt	1
4	Fibrelite Spill Container with Intergrated Drain Back Valve	1
5	Fibrelite 485x485x600mm Deep Sump	1
6	Fibrelite Grounding Cable Seal (PEC2/33)	1
7	Fibrelite Pipe Support	2
8	Fibrelite Self-leveling Seal	1
8A	Hand Hole Cap	1
8B	Drain Back Hose Kit, Consisting of 1/2" BSP Flexible Drain Back Hose (280mm Long) 1/2" BSPT Male x Male Cone Faced Adaptor.	1
125/110 DW FILL		
9	KPS 125 / 110 Secondary Container Pipe	2
10	KPTM125 / 110SCOI Secondary Contained Sump Entry Fitting	2
11	KPC12 110 / Flange Kit	2
12	KP 90/100 4" Elbow with 4 x 3" Reducing Bush	2
13	3GI Pipe / 3" Barrel Nipple	2
14	Fibrelite PSB / 90 Gaiter	2
15	Fibrelite Observation Well	1
GROUNDING ARRANGEMENT		
16	4" Earth Clamp	2
17	16mm Green/Yellow Earth Cable 6 metres	1
18	16mm Copper Tube Terminal	1
BPP KPS DRAIN BACK TO INT		
19	1/2" Male Face x 1" BSP Male Adaptor	1
20	32 x 1" BSP Transition Coupler (KPC15-32FS)	1
21	PEC/32	1

Note: Also supplied with chamber system 4 x Hangers & 8 x Foam Guides

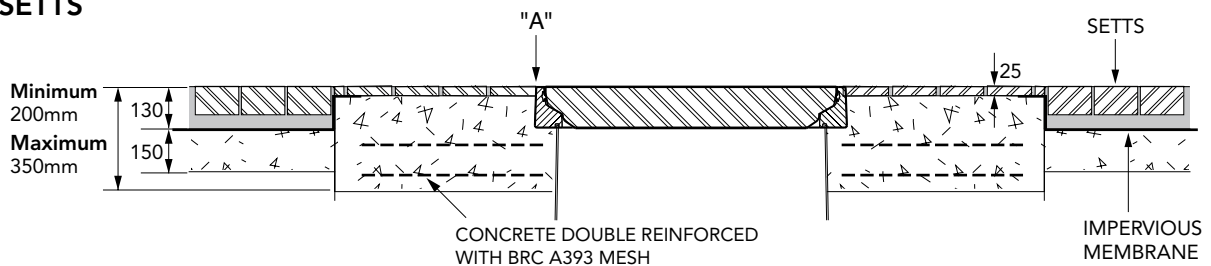
NB:- Fill Adaptor/Cap and Vapour Recovery/Flame Arrestor Not supplied.

TYPICAL INSTALLATION



ALTERNATIVE INSTALLATION ADVICE

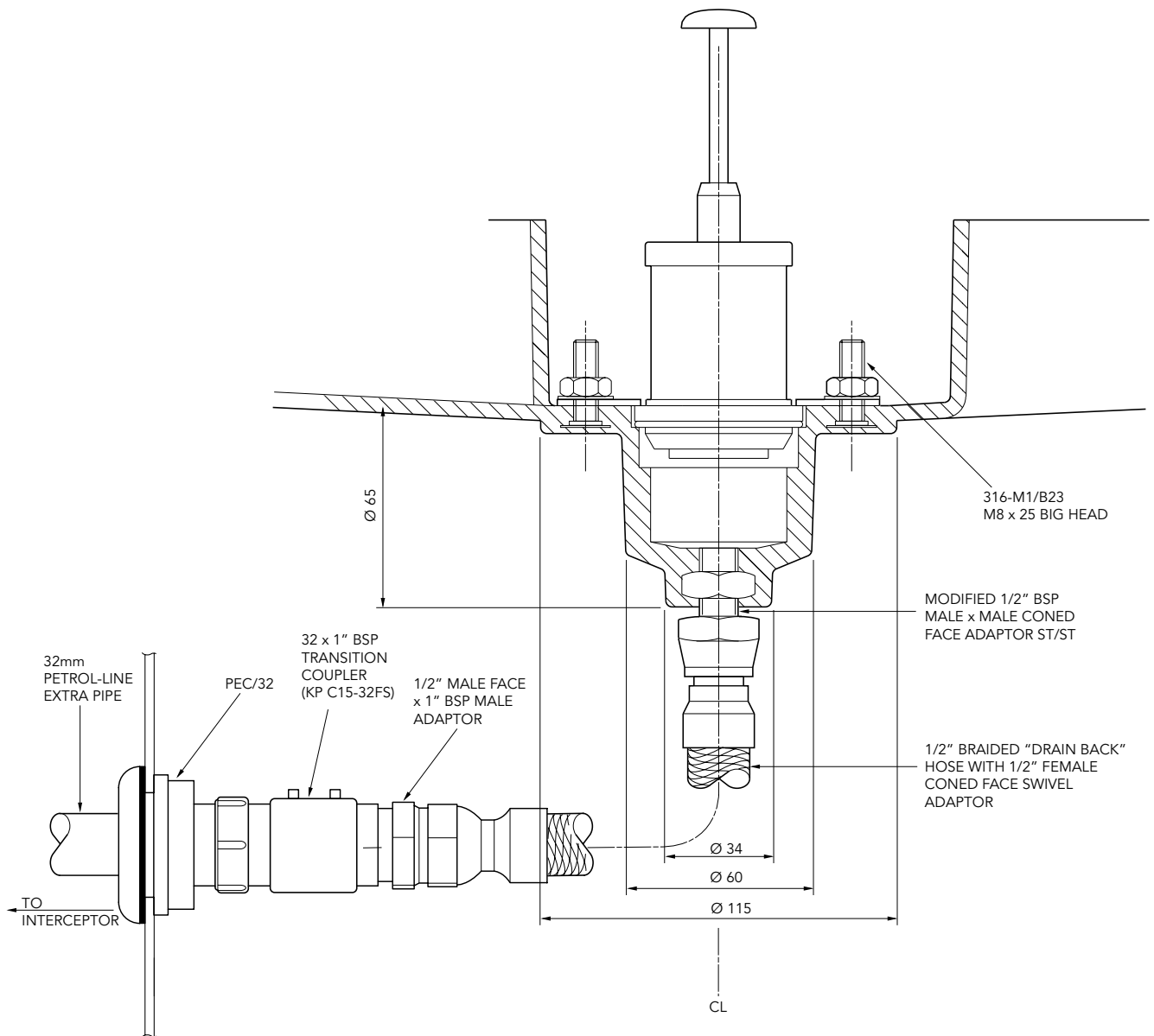
SETTS



490mm square x 600mm deep GRP chamber with a GRP spill container and 600mm square flat sealed cover.
2 x Fills and drain back hose kit.

For reference purposes only. This drawing is not a specification. Order against product code only. To enable continuous improvement of our products, the designs and specifications are subject to change without notice.

FIBRELITE 
PART OF OPW A DOVER COMPANY



490mm square x 600mm deep GRP chamber with a GRP spill container and 600mm square flat sealed cover.
2 x Fills and drain back hose kit.

For reference purposes only. This drawing is not a specification. Order against product code only. To enable continuous improvement of our products, the designs and specifications are subject to change without notice.

FIBRELITE 
PART OF OPW A DOVER COMPANY