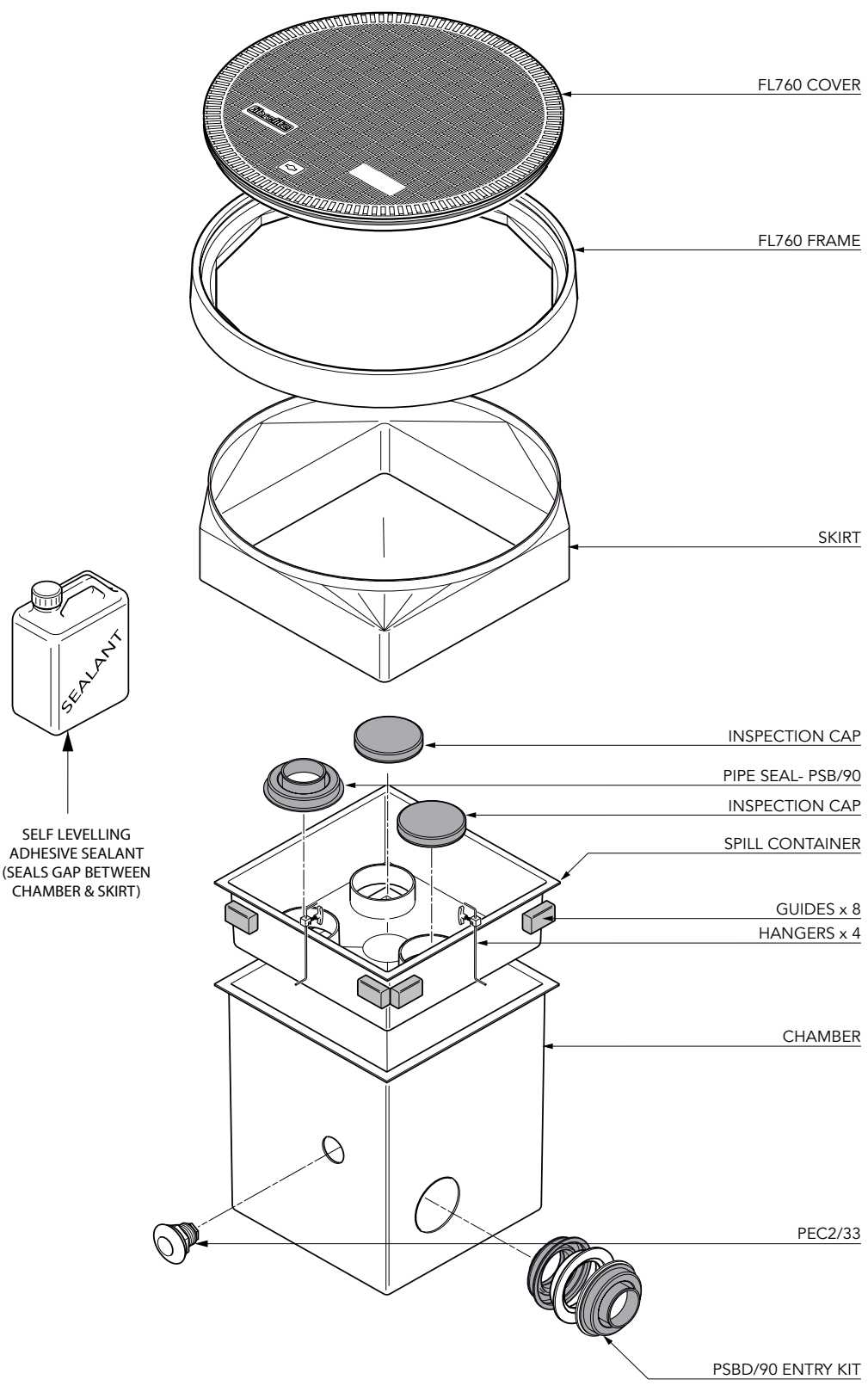


500mm square x 600mm deep GRP solid base sump, GRP spill container, GRP skirt, 760mm dia flat sealed cover and frame. ½ tin sealant. Designed to fit Environ pipework. 1 Fill

For reference purposes only. This drawing is not a specification. Order against product code only. To enable continuous improvement of our products, the designs and specifications are subject to change without notice.

FIBRELITE 
PART OF OPW A DOVER COMPANY

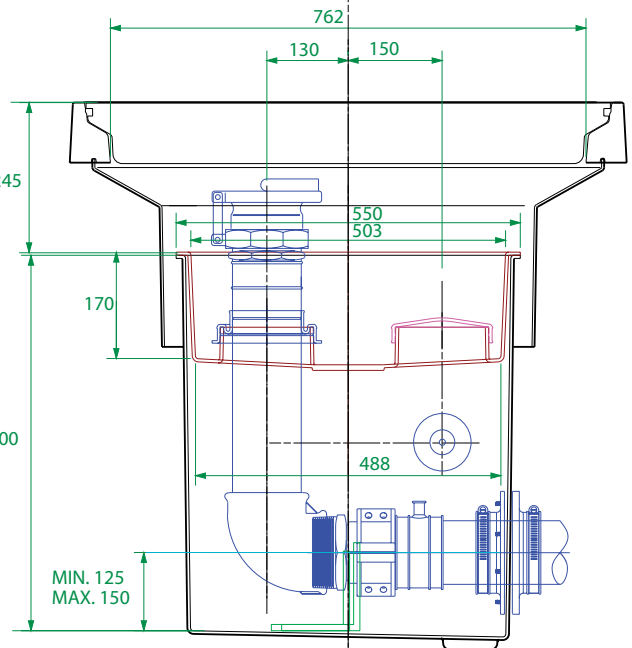
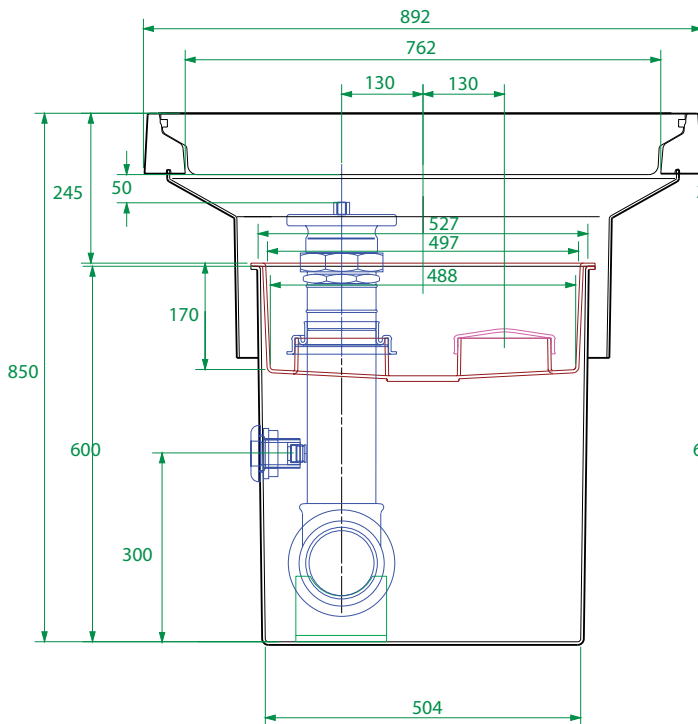
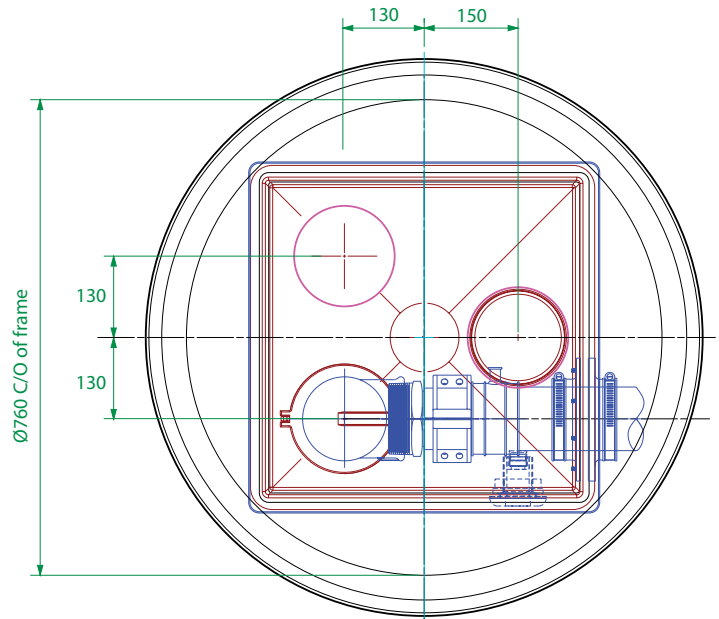


500mm square x 600mm deep GRP solid base sump, GRP spill container, GRP skirt, 760mm dia flat sealed cover and frame. 1/2 tin sealant. Designed to fit Environ pipework. 1 Fill

For reference purposes only. This drawing is not a specification. Order against product code only. To enable continuous improvement of our products, the designs and specifications are subject to change without notice.



Spill Containment
Capacity = 35 Litres

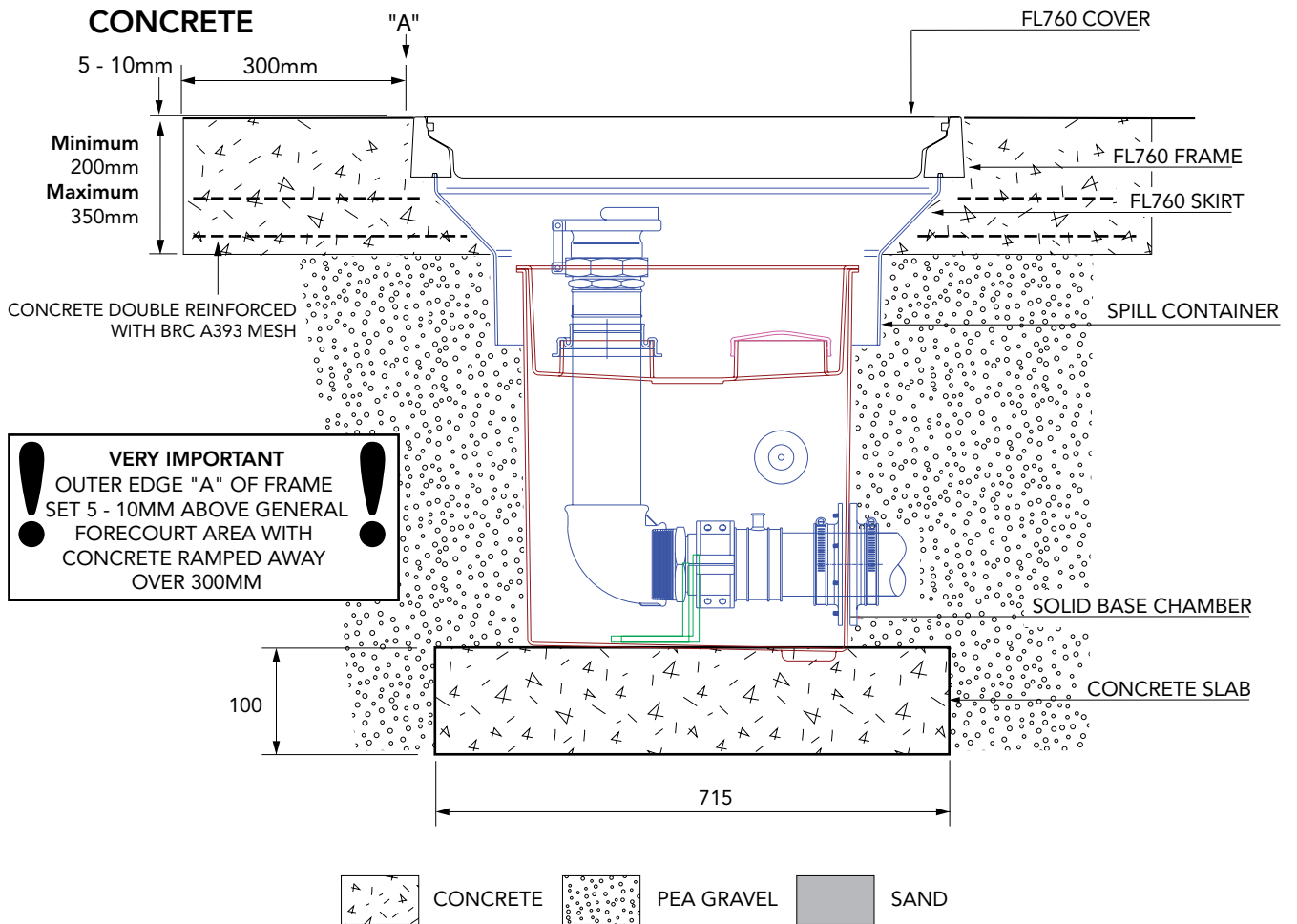


500mm square x 600mm deep GRP solid base sump, GRP spill container, GRP skirt, 760mm dia flat sealed cover and frame. ½ tin sealant. Designed to fit Environ pipework. 1 Fill

For reference purposes only. This drawing is not a specification. Order against product code only. To enable continuous improvement of our products, the designs and specifications are subject to change without notice.

FIBRELITE 
PART OF OPW A DOVER COMPANY

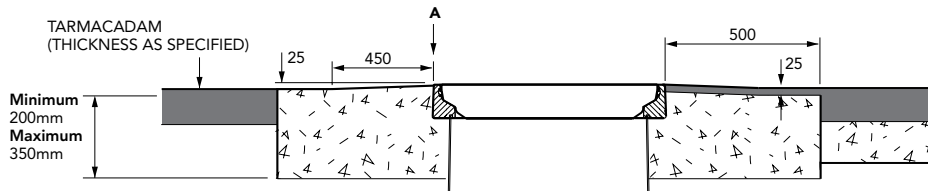
TYPICAL INSTALLATION



VERY IMPORTANT
 OUTER EDGE "A" OF FRAME
 SET 5 - 10MM ABOVE GENERAL
 FORECOURT AREA WITH
 CONCRETE RAMPED AWAY
 OVER 300MM

ALTERNATIVE INSTALLATION ADVICE

TARMACADAM



500mm square x 600mm deep GRP solid base sump, GRP spill container, GRP skirt, 760mm dia flat sealed cover and frame. ½ tin sealant. Designed to fit Environ pipework. 1 Fill

For reference purposes only. This drawing is not a specification. Order against product code only. To enable continuous improvement of our products, the designs and specifications are subject to change without notice.

