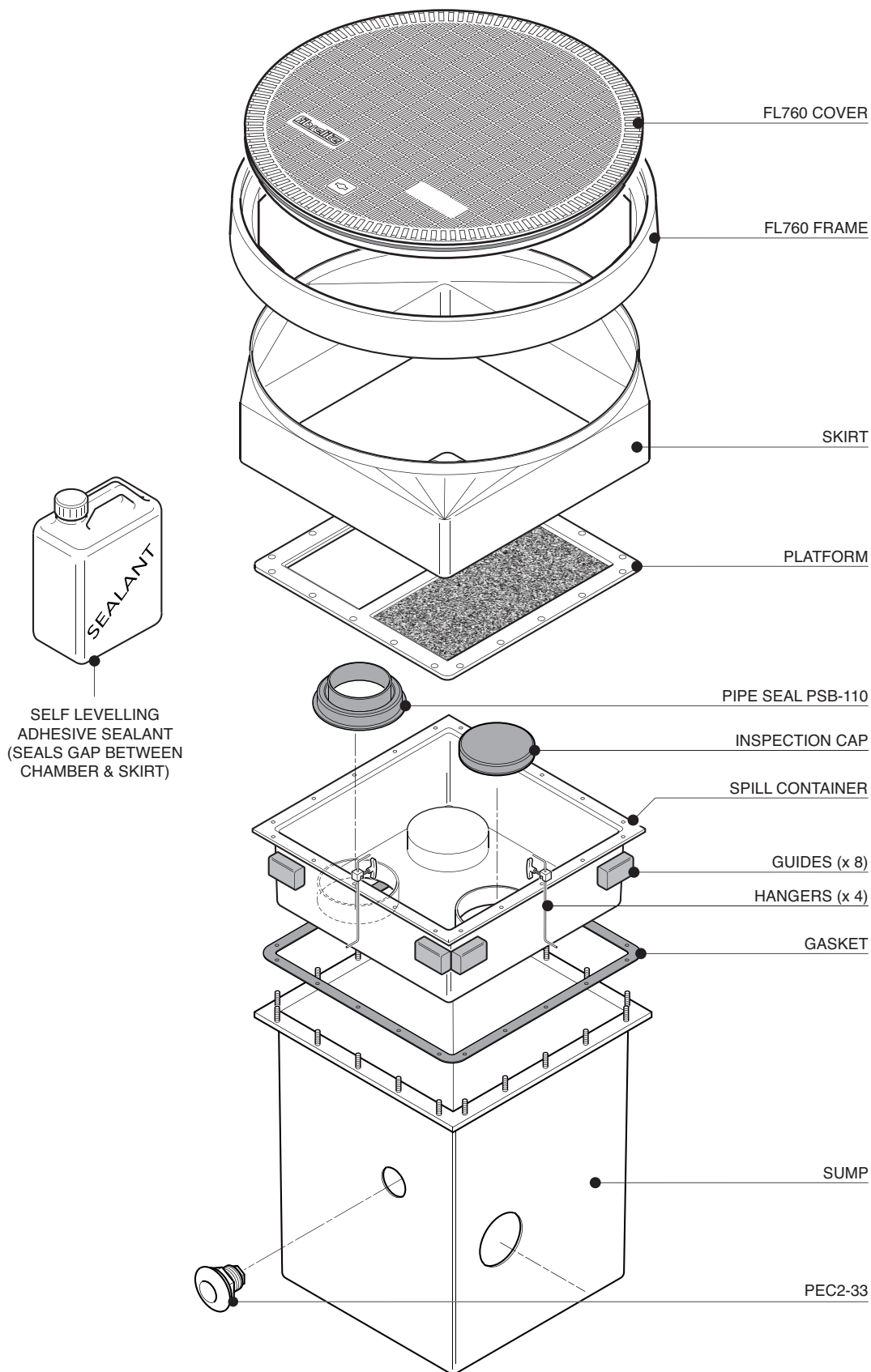


490mm square x 600mm deep offset fill chamber system with adjustable skirt, spill container, platform, 1/2 tin of sealant and FL760 flat sealed cover with composite frame. Includes inspection port cap, pipe entry and penetration fitting for grounding connection. Includes preinstalled KPS pipework for 1 fill.

For reference purposes only. This drawing is not a specification. Order against product code only. To enable continuous improvement of our products, the designs and specifications are subject to change without notice.

FIBRELITE 
PART OF OPW A DOVER COMPANY



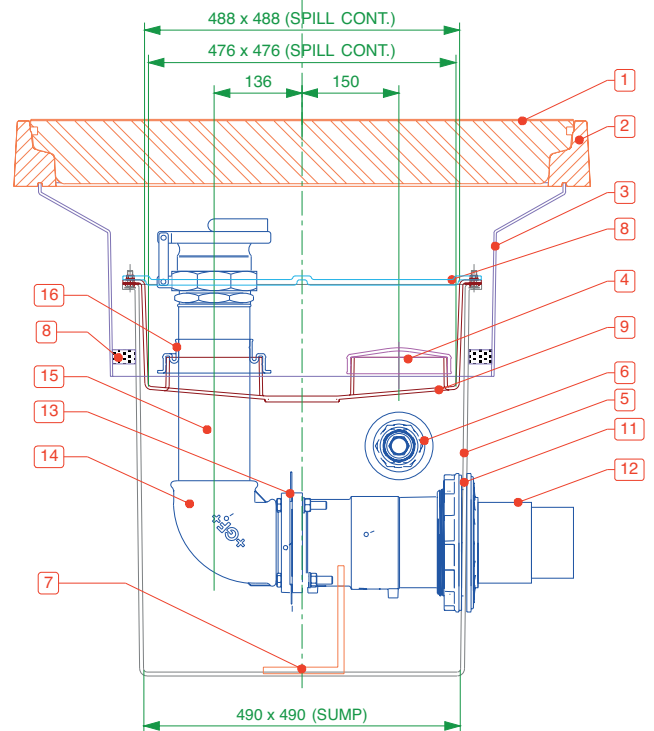
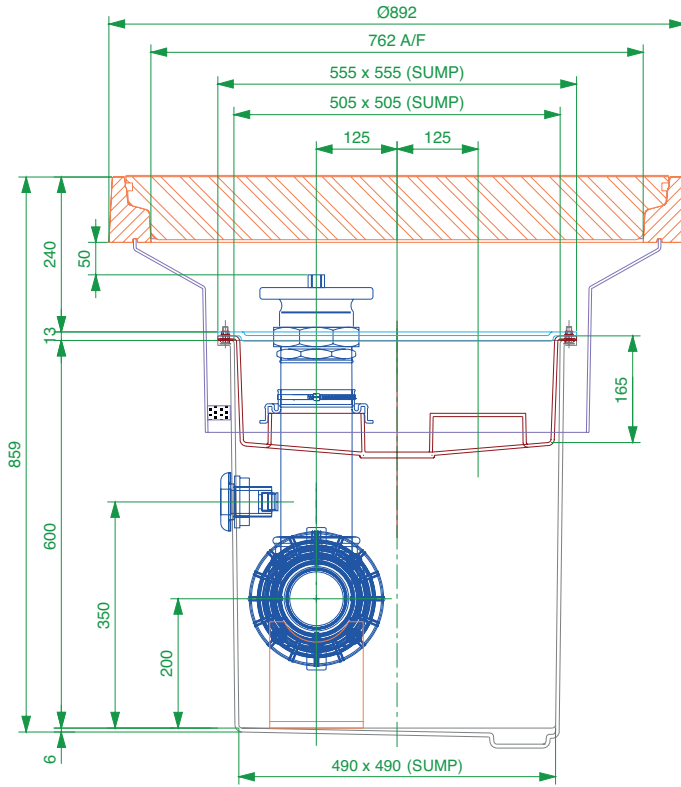
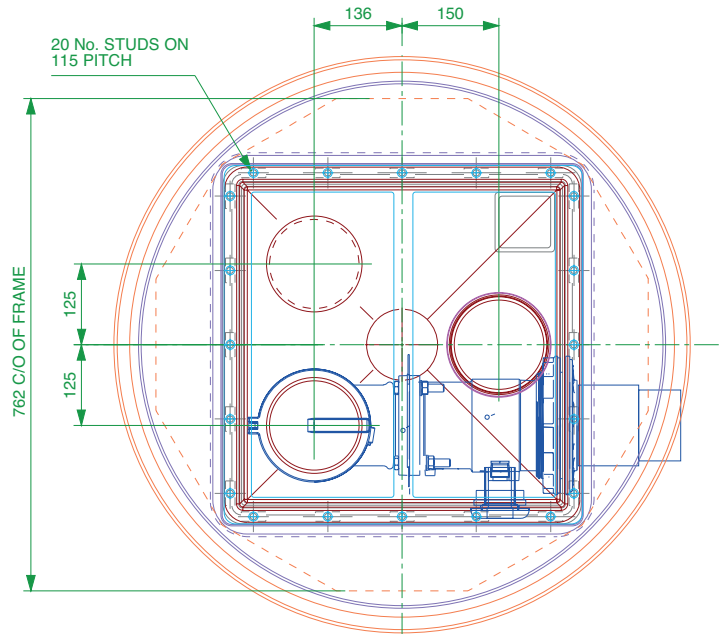
490mm square x 600mm deep offset fill chamber system with adjustable skirt, spill container, platform, 1/2 tin of sealant and FL760 flat sealed cover with composite frame. Includes inspection port cap, pipe entry and penetration fitting for grounding connection. Includes preinstalled KPS pipework for 1 fill.

For reference purposes only. This drawing is not a specification. Order against product code only. To enable continuous improvement of our products, the designs and specifications are subject to change without notice.

FIBRELITE 
PART OF OPW A DOVER COMPANY

| ITEM | DESCRIPTION | CODE | QTY |
|------|--------------------------------|-----------------|-----|
| 1 | Fibrelite FL760 Cover | FL760C | 1 |
| 2 | Fibrelite FL760 Frame | FL760F | 1 |
| 3 | Fibrelite 270mm Deep Skirt | FL760-SK300-OF | 1 |
| 4 | Fibrelite Spill Container | S2-SC-760-ROW | 1 |
| 5 | Fibrelite 490sq x 600mm Sump | S2-OFB-600D | 1 |
| 6 | Fibrelite Grounding Cable Seal | PEC-2-33 | 1 |
| 7 | Fibrelite Pipe Support | PSF | 1 |
| 8 | Fibrelite Platform | S2-3760-OF-PLAT | 1 |
| 9 | Fibrelite Self-levelling Seal | S-CS-SEALANT | 1 |
| 10 | Fibrelite Observation Well | -- | 1 |

| ITEM | DESCRIPTION - 4" FILL | QTY |
|------|--|-----|
| 11 | KPTM125 / 110SCOI Secondary Contained Sump Entry Fitting | 1 |
| 12 | KPS 125 / 110 Secondary Container Pipe | 1 |
| 13 | KPC12 110 / Flange Kit | 1 |
| 14 | KP 90/100 4" Elbow | 1 |
| 15 | 4GI Pipe / 4" Barrel Nipple | 1 |
| 16 | Fibrelite PSB-110G-V Viton Entry Boot | 1 |



NOTES:

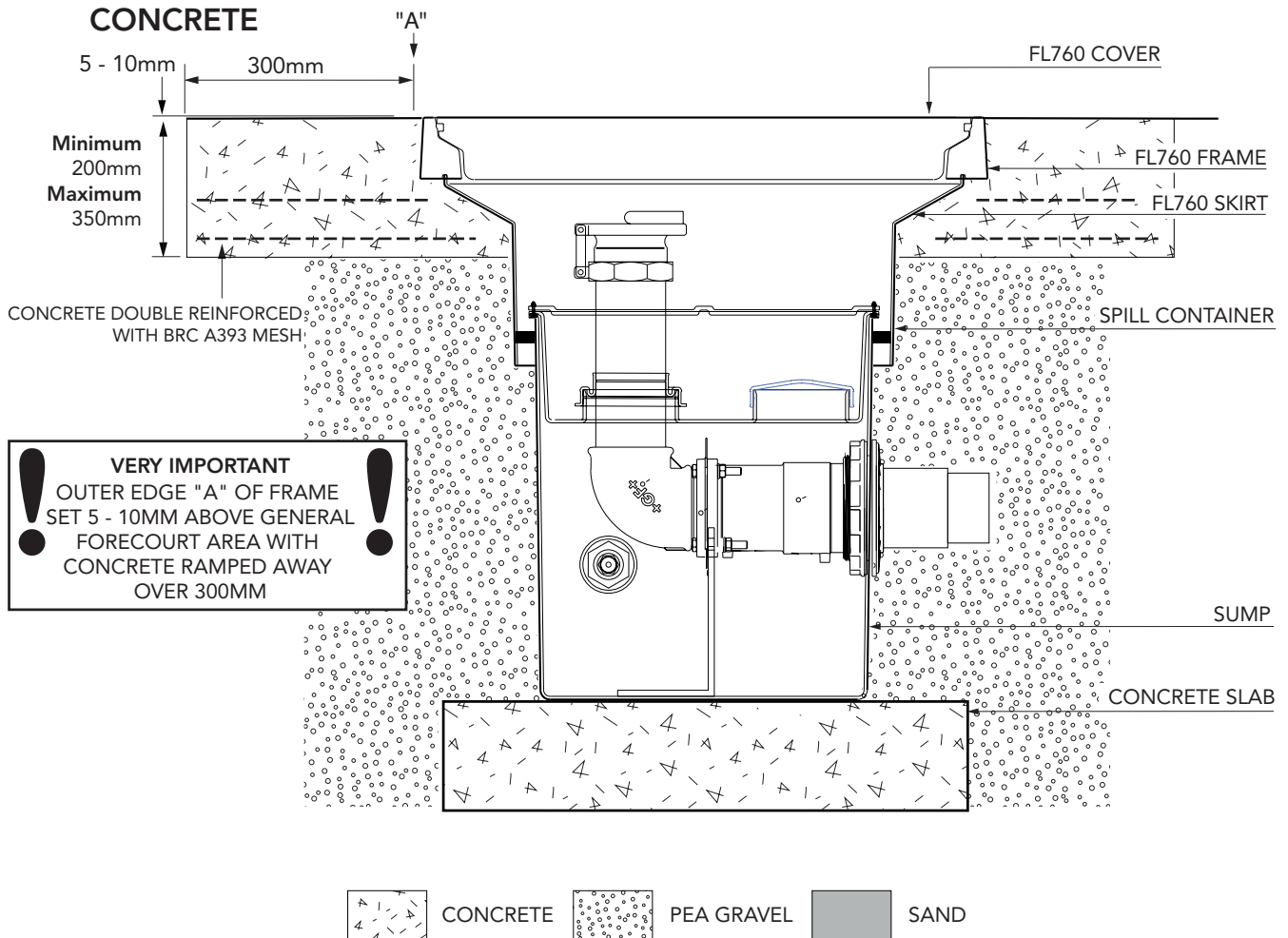
- SUPPLIED WITH 4 No. HANGERS AND 8 No. FOAM GUIDES
- SPILL CONTAINMENT CAPACITY = 35 Litres / 9.25 US GALL

490mm square x 600mm deep offset fill chamber system with adjustable skirt, spill container, platform, 1/2 tin of sealant and FL760 flat sealed cover with composite frame. Includes inspection port cap, pipe entry and penetration fitting for grounding connection. Includes preinstalled KPS pipework for 1 fill.

For reference purposes only. This drawing is not a specification. Order against product code only. To enable continuous improvement of our products, the designs and specifications are subject to change without notice.

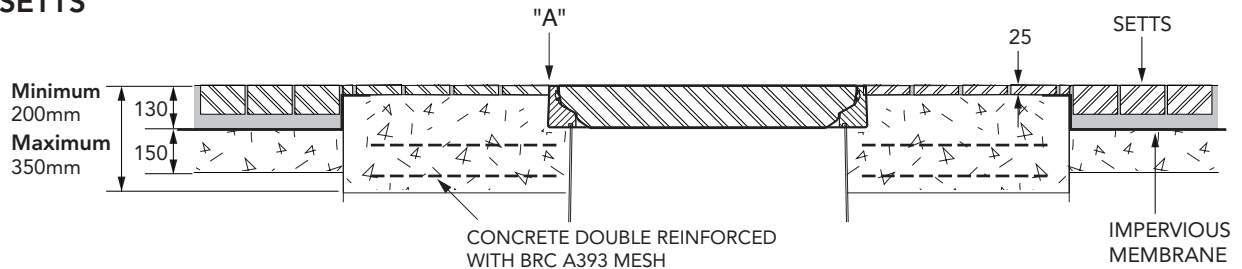


TYPICAL INSTALLATION



ALTERNATIVE INSTALLATION ADVICE

SETTS



490mm square x 600mm deep offset fill chamber system with adjustable skirt, spill container, platform, 1/2 tin of sealant and FL760 flat sealed cover with composite frame. Includes inspection port cap, pipe entry and penetration fitting for grounding connection. Includes preinstalled KPS pipework for 1 fill.

For reference purposes only. This drawing is not a specification. Order against product code only. To enable continuous improvement of our products, the designs and specifications are subject to change without notice.

FIBRELITE
PART OF OPW A DOVER COMPANY