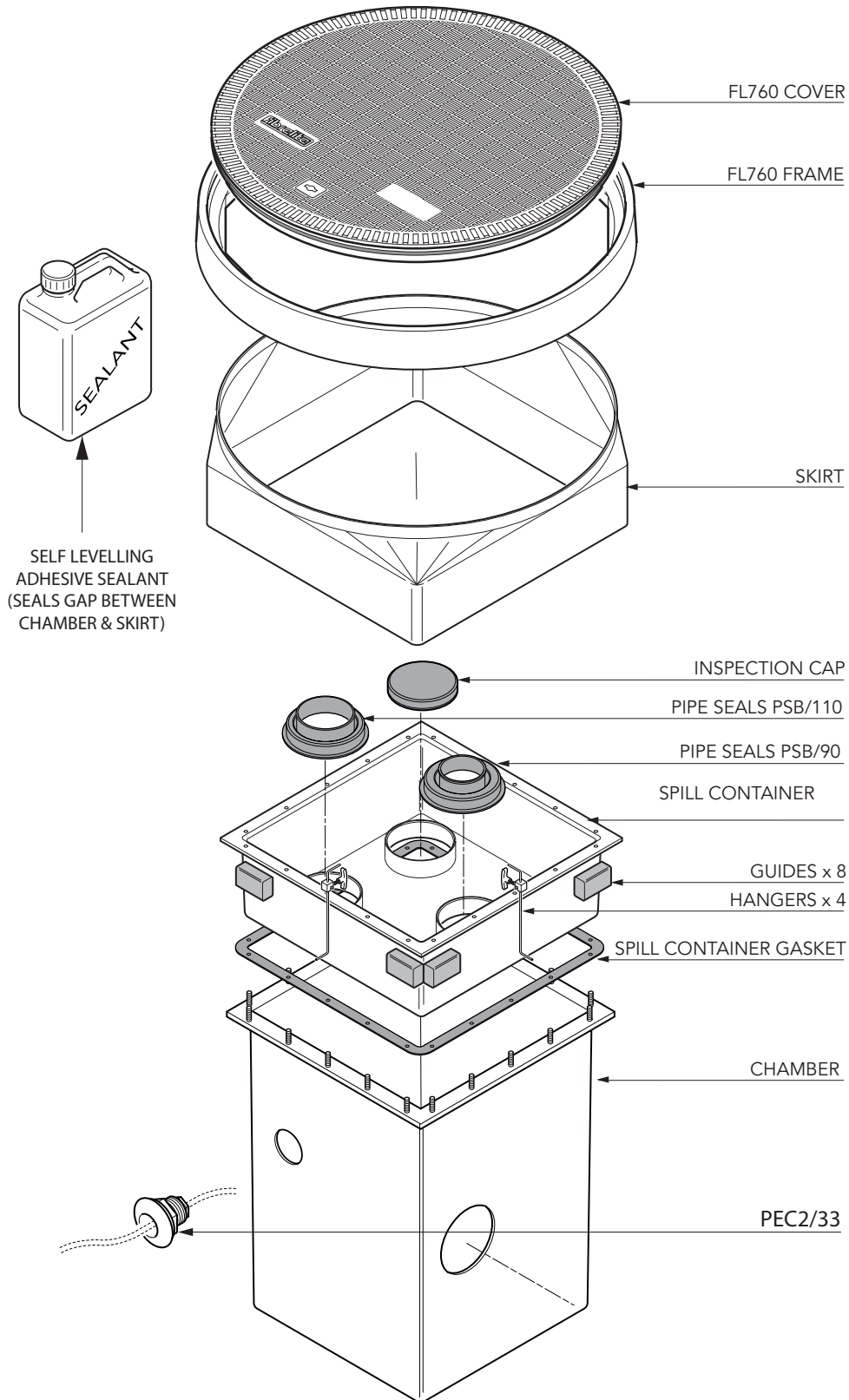


490mm x 600mm GRP chamber with a GRP spill container and 762mm diameter round flat sealed cover.
1 x Fill & 1 VR

For reference purposes only. This drawing is not a specification. Order against product code only. To enable continuous improvement of our products, the designs and specifications are subject to change without notice.

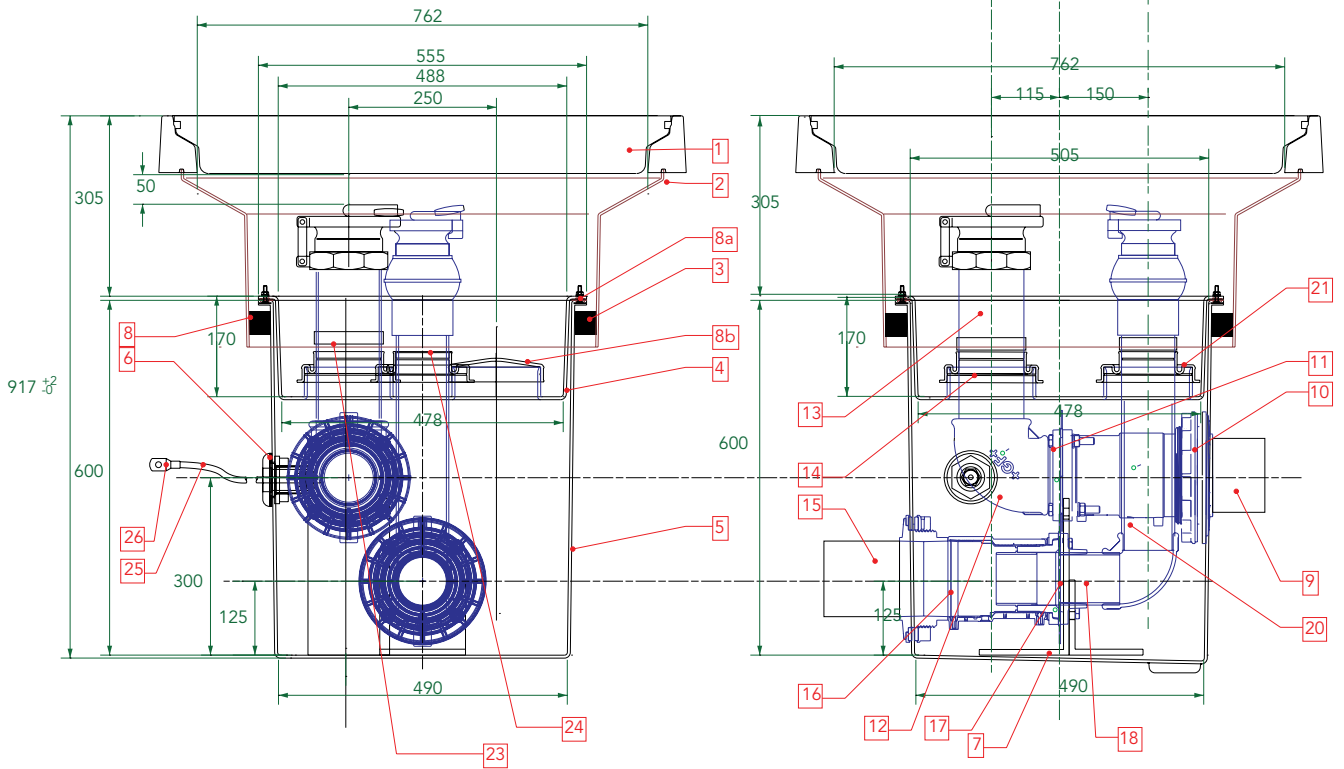
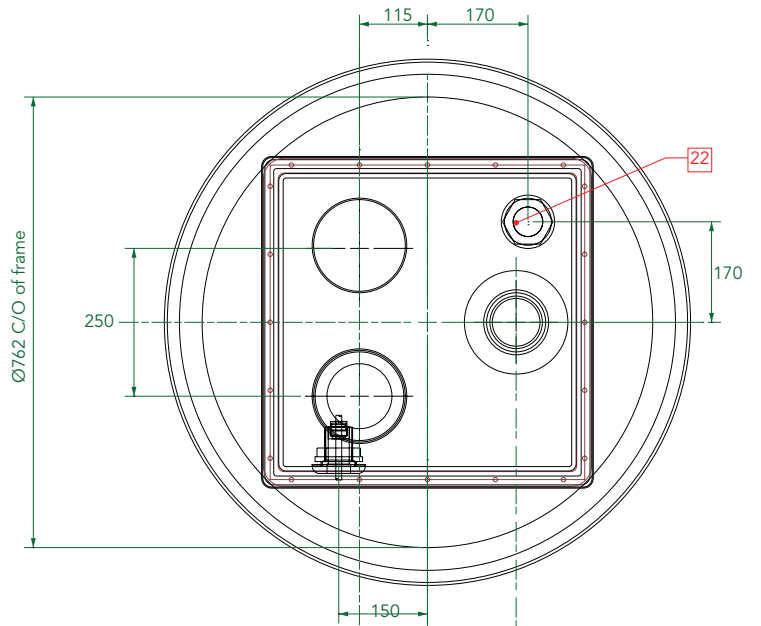


490mm x 600mm GRP chamber with a GRP spill container and 762mm diameter round flat sealed cover.
1 x Fill & 1 VR

For reference purposes only. This drawing is not a specification. Order against product code only. To enable continuous improvement of our products, the designs and specifications are subject to change without notice.

FIBRELITE 
PART OF OPW A DOVER COMPANY

Spill Containment
Capacity = 32 Litres



490mm x 600mm GRP chamber with a GRP spill container and 762mm diameter round flat sealed cover.
1 x Fill & 1 VR

For reference purposes only. This drawing is not a specification. Order against product code only. To enable continuous improvement of our products, the designs and specifications are subject to change without notice.

FIBRELITE 
PART OF OPW A DOVER COMPANY

	ITEM	QTY
1	Fibrelite FL760 Cover	1
2	Fibrelite FL760 Frame	1
3	Fibrelite 270mm deep skirt	1
4	Fibrelite European Spill Container	1
5	Fibrelite 485x485x600mm Deep Sump	1
6	Fibrelite Grounding Cable Seal (PEC2/33)	1
7	Fibrelite Pipe Support	2
8	Fibrelite Self-leveling Seal	1
8a	Spill Container Gasket	1
8b	Inspection Cap	1
4" FILL		
9	KPS 125 / 110 Secondary Container Pipe	1
10	KPTM125 / 110SCOI Secondary Contained Sump Entry Fitting	1
11	KPC12 110 / Flange Kit	1
12	KP 90/100 4" Elbow	1
13	4GI Pipe / 4" Barrel Nipple	1
14	Fibrelite PSB / 110 Gaiter	1
3" VR1b		
15	KPS 125 / 110 Secondary Container Pipe	1
16	KPTM125 / 110SCOI Secondary Container sump entry fitting	1
17	KPC12 90 / Flange Kit	1
18	3GI Pipe / Barrel Nipple	1
19	KP 90 / 80 3" Elbow	1
20	3GI Pipe / Barrel Nipple	1
21	Fibrelite PSB/90 Gaiter	1
GROUNDING ARRANGEMENT		
23	4" Earth Clamp	1
24	3" VR Clamp	1
25	16mm Green/Yellow Earth Cable 3 metres	1
26	16mm Copper Tube Terminal	1

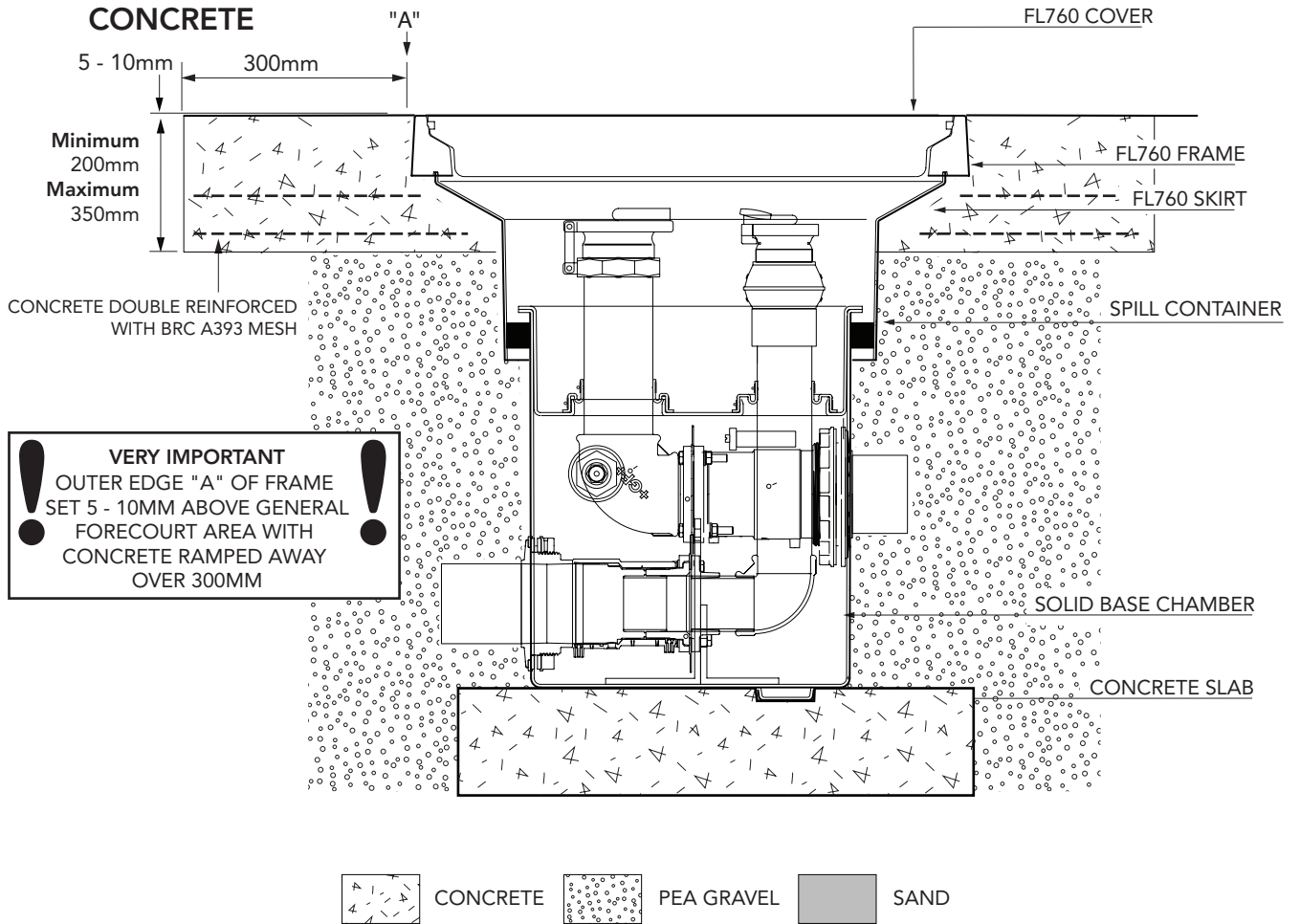
Note: Also supplied with chamber system 4 x Hangers & 8 x Foam Guides

490mm x 600mm GRP chamber with a GRP spill container and 762mm diameter round flat sealed cover.
1 x Fill & 1 VR

For reference purposes only. This drawing is not a specification. Order against product code only. To enable continuous improvement of our products, the designs and specifications are subject to change without notice.

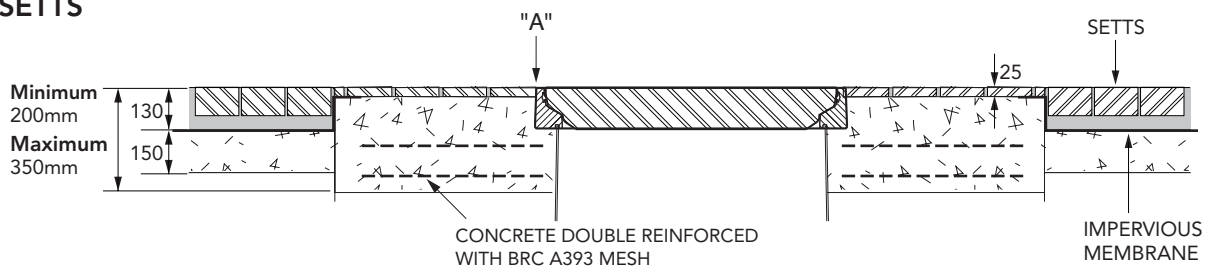
FIBRELITE 
PART OF OPW A DOVER COMPANY

TYPICAL INSTALLATION



ALTERNATIVE INSTALLATION ADVICE

SETTS



490mm x 600mm GRP chamber with a GRP spill container and 762mm diameter round flat sealed cover.
1 x Fill & 1 VR

For reference purposes only. This drawing is not a specification. Order against product code only. To enable continuous improvement of our products, the designs and specifications are subject to change without notice.

FIBRELITE

PART OF OPW A DOWER COMPANY