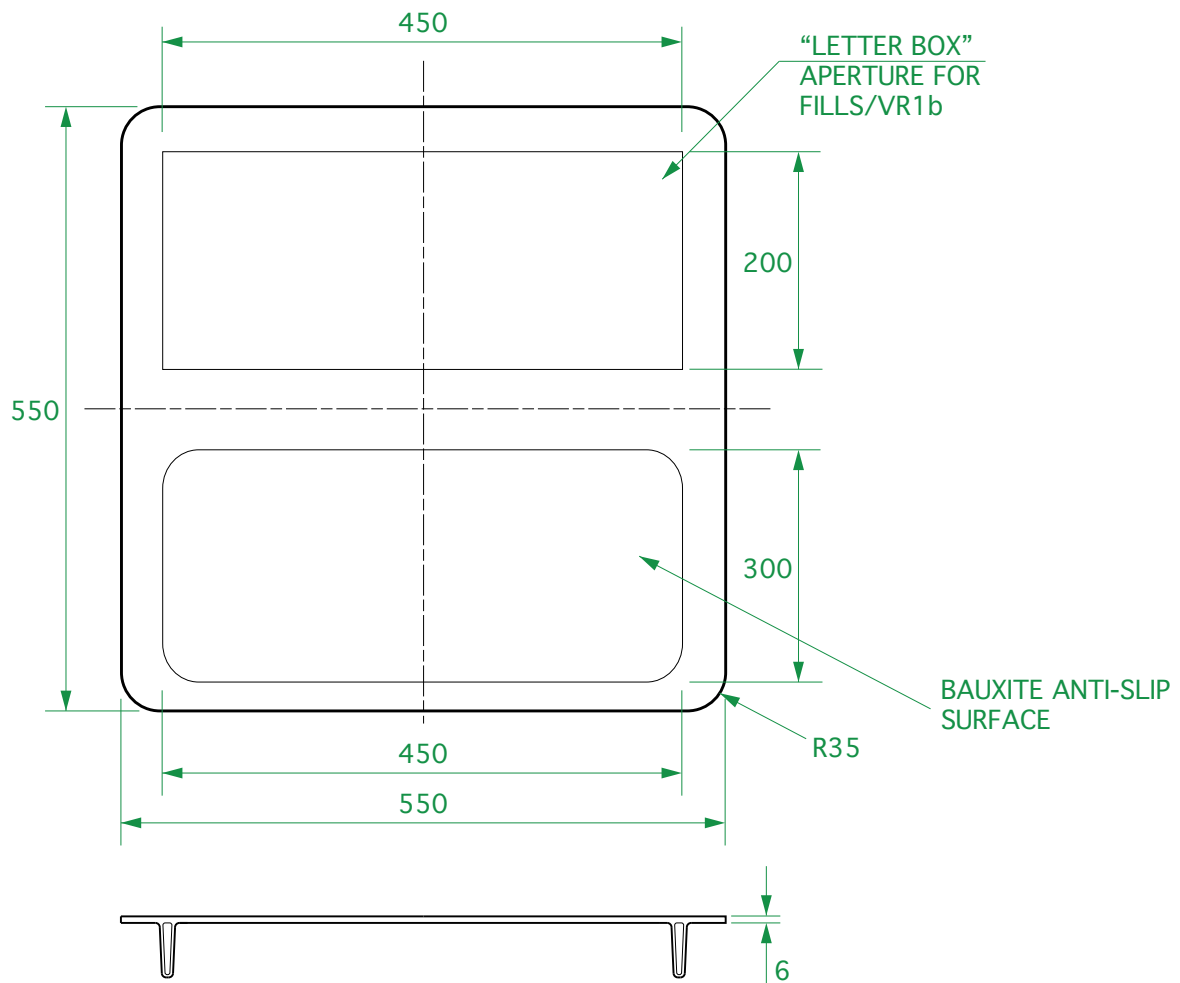


Structural platform to fit S2-360/OF & S2-3760/OF chamber systems. Includes letterbox style hole and anti-slip surface. Designed to retro-fit to existing sumps with an unbolted spill tray.

For reference purposes only. This drawing is not a specification. Order against product code only. To enable continuous improvement of our products, the designs and specifications are subject to change without notice.



Structural platform to fit S2-360/OF & S2-3760/OF chamber systems. Includes letterbox style hole and anti-slip surface. Designed to retro-fit to existing sumps with an unbolted spill tray.

For reference purposes only. This drawing is not a specification. Order against product code only. To enable continuous improvement of our products, the designs and specifications are subject to change without notice.

FIBRELITE 
PART OF OPW A DOVER COMPANY