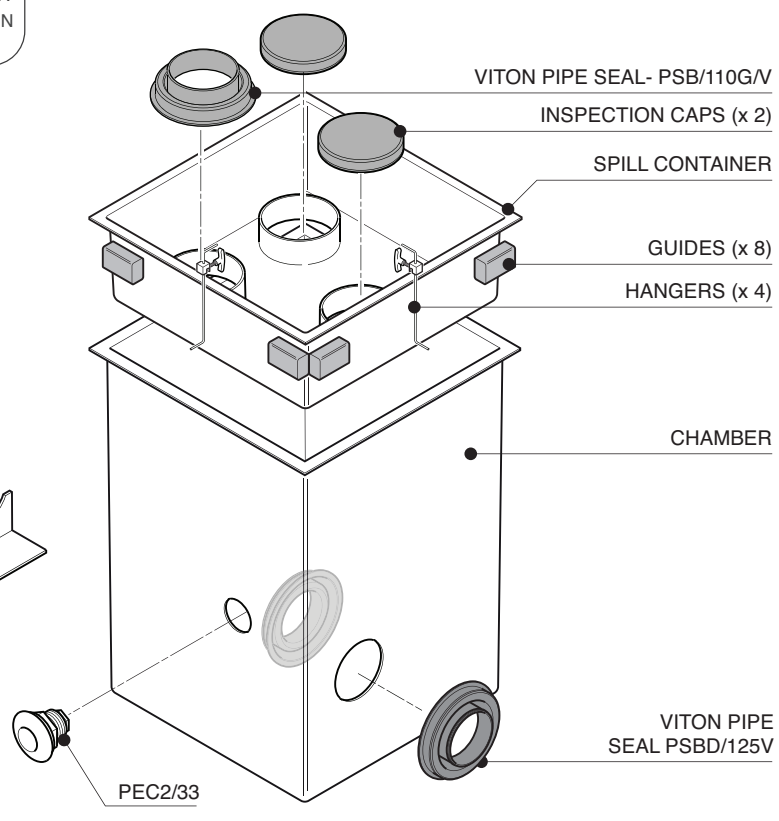
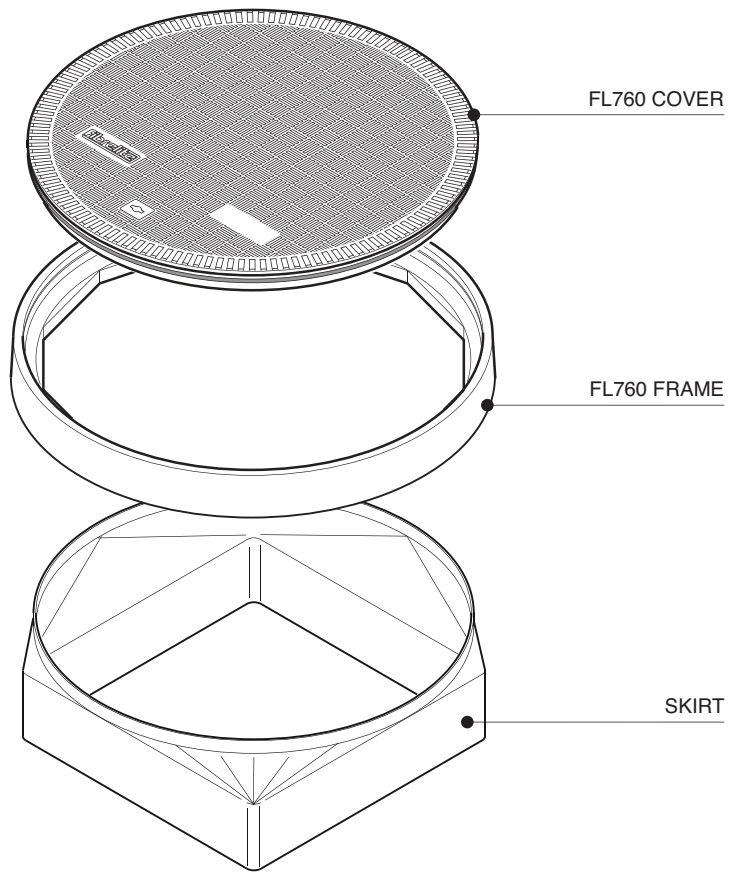


500mm square x 600mm deep GRP solid base sump, GRP spill container, GRP skirt, 760mm dia flat sealed cover and frame. ½ tin sealant. Designed to fit UPP pipework. 1 Fill.

For reference purposes only. This drawing is not a specification. Order against product code only. To enable continuous improvement of our products, the designs and specifications are subject to change without notice.

**FIBRELITE**   
PART OF OPW A DOVER COMPANY



500mm square x 600mm deep GRP solid base sump, GRP spill container, GRP skirt, 760mm dia flat sealed cover and frame. ½ tin sealant. Designed to fit UPP pipework. 1 Fill.

For reference purposes only. This drawing is not a specification. Order against product code only. To enable continuous improvement of our products, the designs and specifications are subject to change without notice.



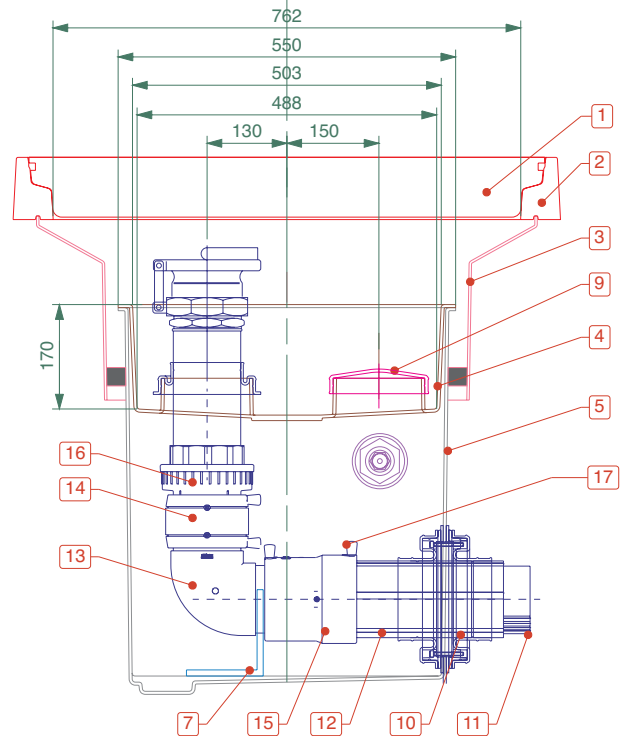
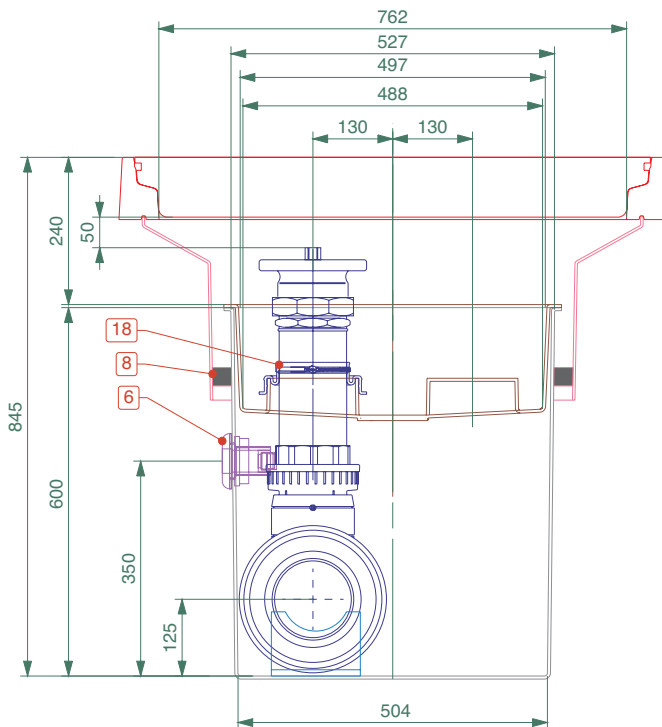
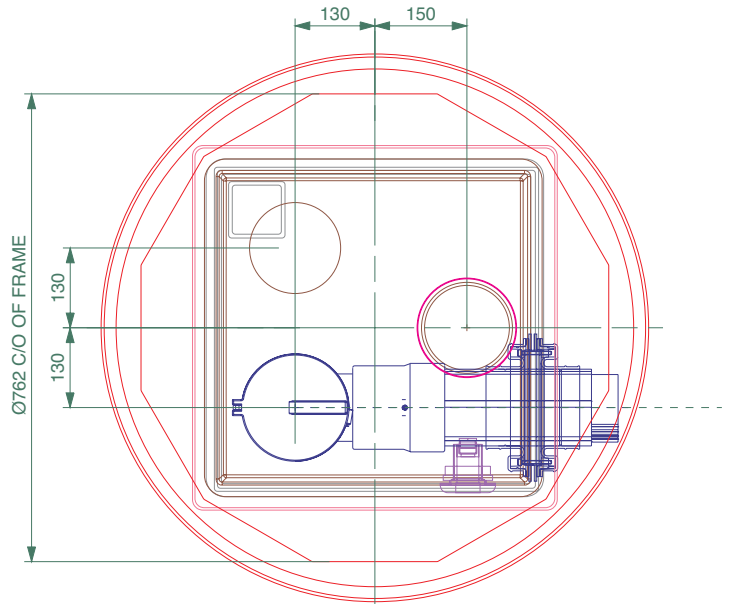
Spill Containment Capacity = 35 Litres

ITEM	DESCRIPTION	CODE	QTY.
1	Fibrelite FL760 Cover	FL760C	1
2	Fibrelite FL760 Frame	FL760F	1
3	Fibrelite 300mm Deep Skirt	FL760/SK300/OF	1
4	Fibrelite Spill Container	S2/SC/760/ROW	1
5	Fibrelite 500 x 500 x 600mm Deep Sump	S2-OFB-760D	1
6	Fibrelite Grounding Cable Seal (PEC2/33)	PEC/2/33	1
7	Fibrelite Pipe Support	PSF	1
8	Fibrelite Self-levelling Seal	S/CS/SEALANT	1
9	Inspection Cap	-	1

ITEM	4" FILL	CODE	QTY.
10	Fibrelite Viton Ø125mm Double Sided Pipe Entry Seal	PSBD/125V	1
11	EN Pipe - 110 mm Primary	001-110-XXX-E	1
12	EN Pipe - 125mm Secondary	000-125-XXX-SC-E	1
13	110mm Primary 90° Elbow	03-110-L	1
14	Primary Welding Coupler UPP 110mm	02.110	1
15	REDUCER, SC, TERM, 125/110mm + TP	49-125-110-TP	1
16	TERM UPP 110MM 4" BSPT FEMALE	92-110 BSPT	1
17	CAP, ANTI-STATIC, 12	ESI-CAP-012	6
18	PSB/110G Viton Entry Boot	PSB/110G/V	1

NOTE:

Supplied with 4 x Hangers and 8 x Foam Guides

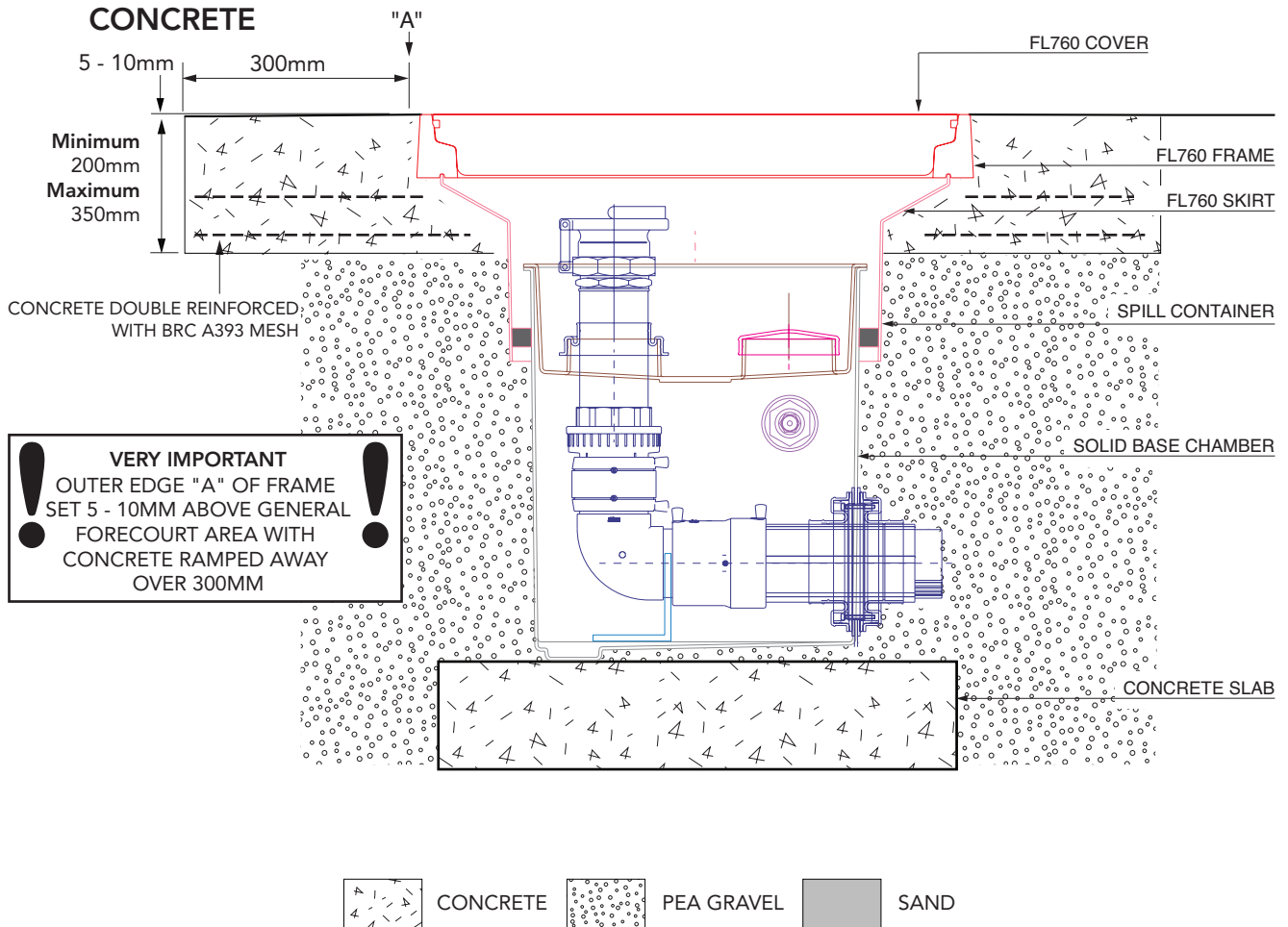


500mm square x 600mm deep GRP solid base sump, GRP spill container, GRP skirt, 760mm dia flat sealed cover and frame. ½ tin sealant. Designed to fit UPP pipework. 1 Fill.

For reference purposes only. This drawing is not a specification. Order against product code only. To enable continuous improvement of our products, the designs and specifications are subject to change without notice.



## TYPICAL INSTALLATION



## ALTERNATIVE INSTALLATION ADVICE

### TARMACADAM

