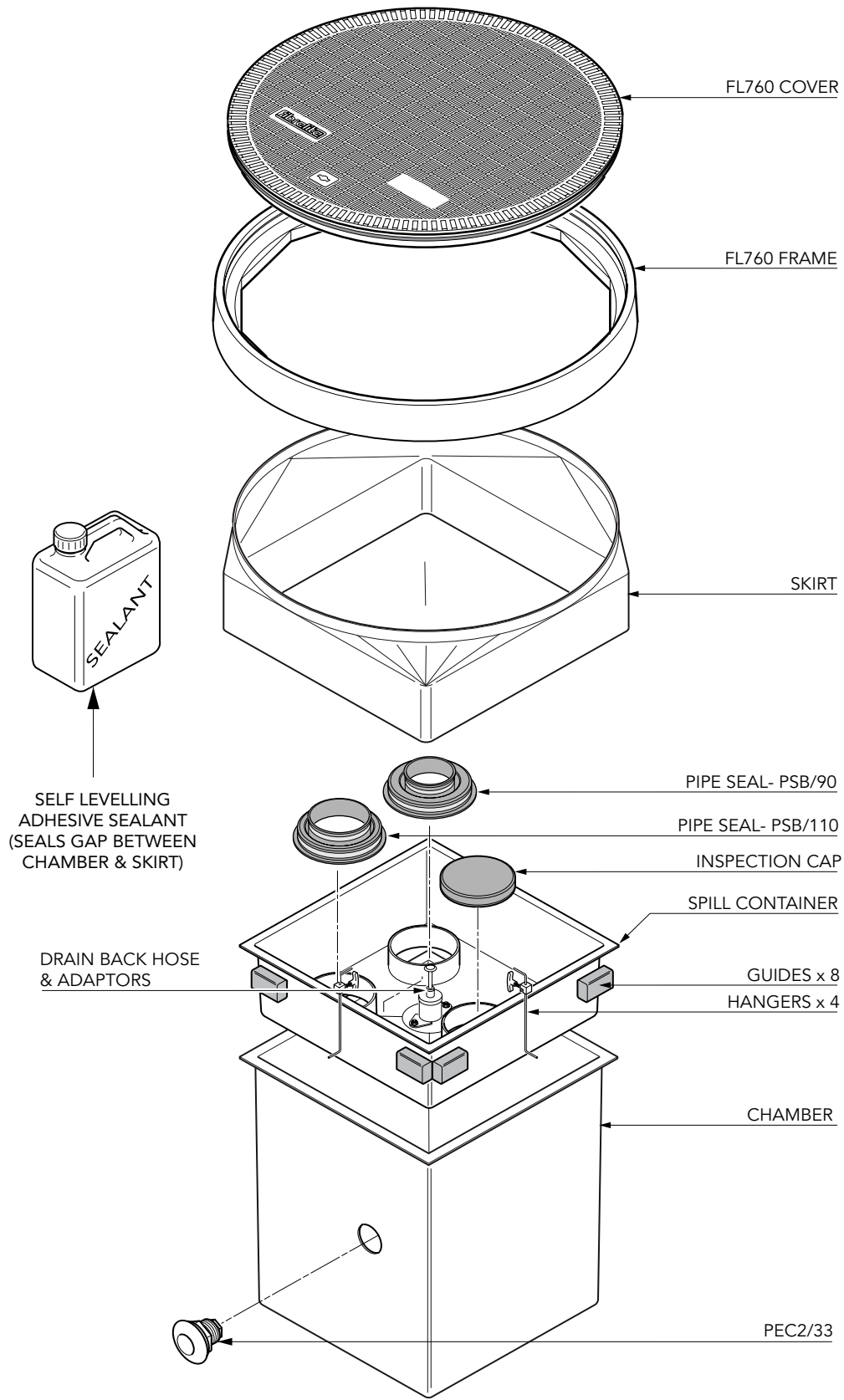


500mm square x 600mm deep GRP solid base sump, GRP spill container with an integrated drainback system, GRP skirt, 760mm dia flat sealed cover and frame. ½ tin sealant. 1 Fill and 1 VR1B

For reference purposes only. This drawing is not a specification. Order against product code only. To enable continuous improvement of our products, the designs and specifications are subject to change without notice.

FIBRELITE 
PART OF OPW A DOVER COMPANY

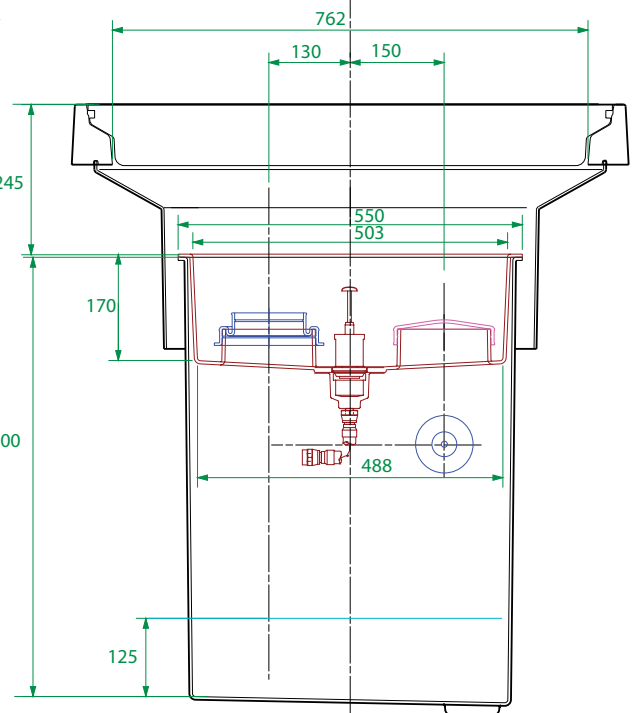
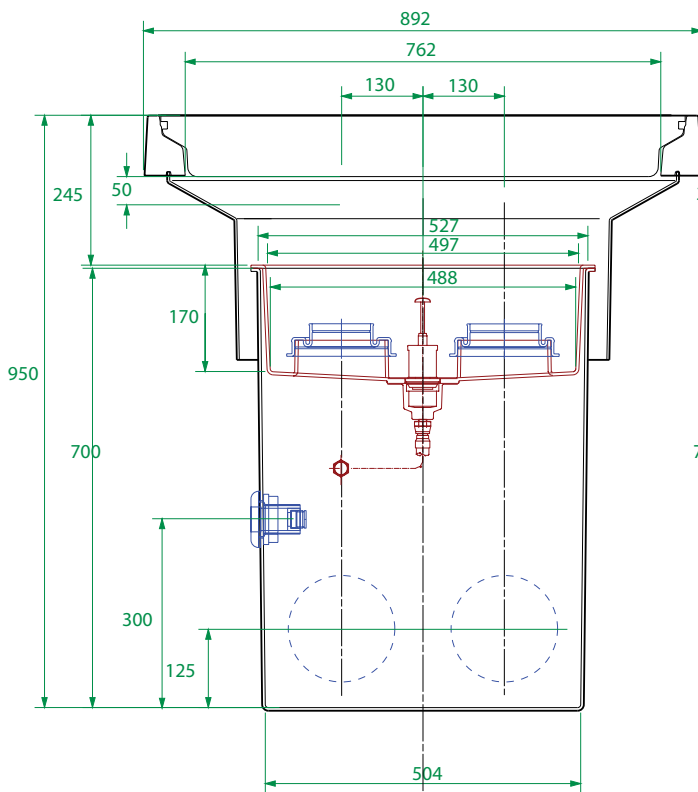
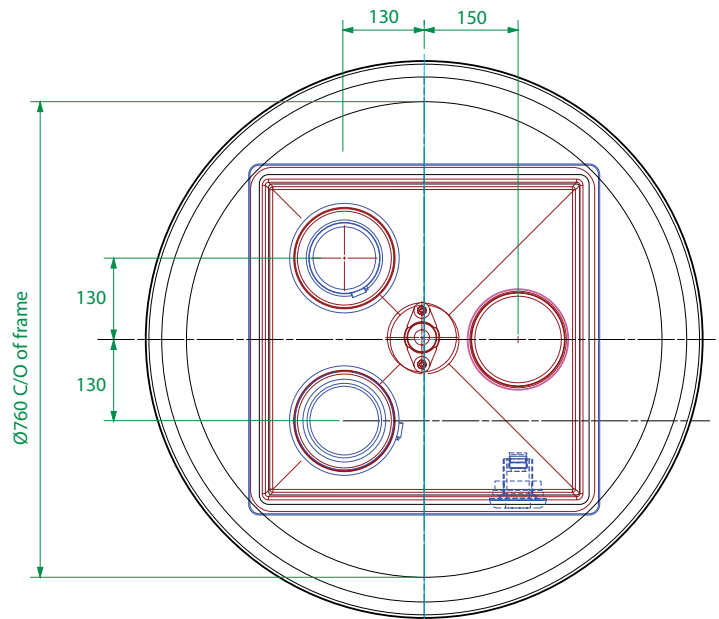


500mm square x 600mm deep GRP solid base sump, GRP spill container with an integrated drainback system, GRP skirt, 760mm dia flat sealed cover and frame. ½ tin sealant. 1 Fill and 1 VR1B

For reference purposes only. This drawing is not a specification. Order against product code only. To enable continuous improvement of our products, the designs and specifications are subject to change without notice.



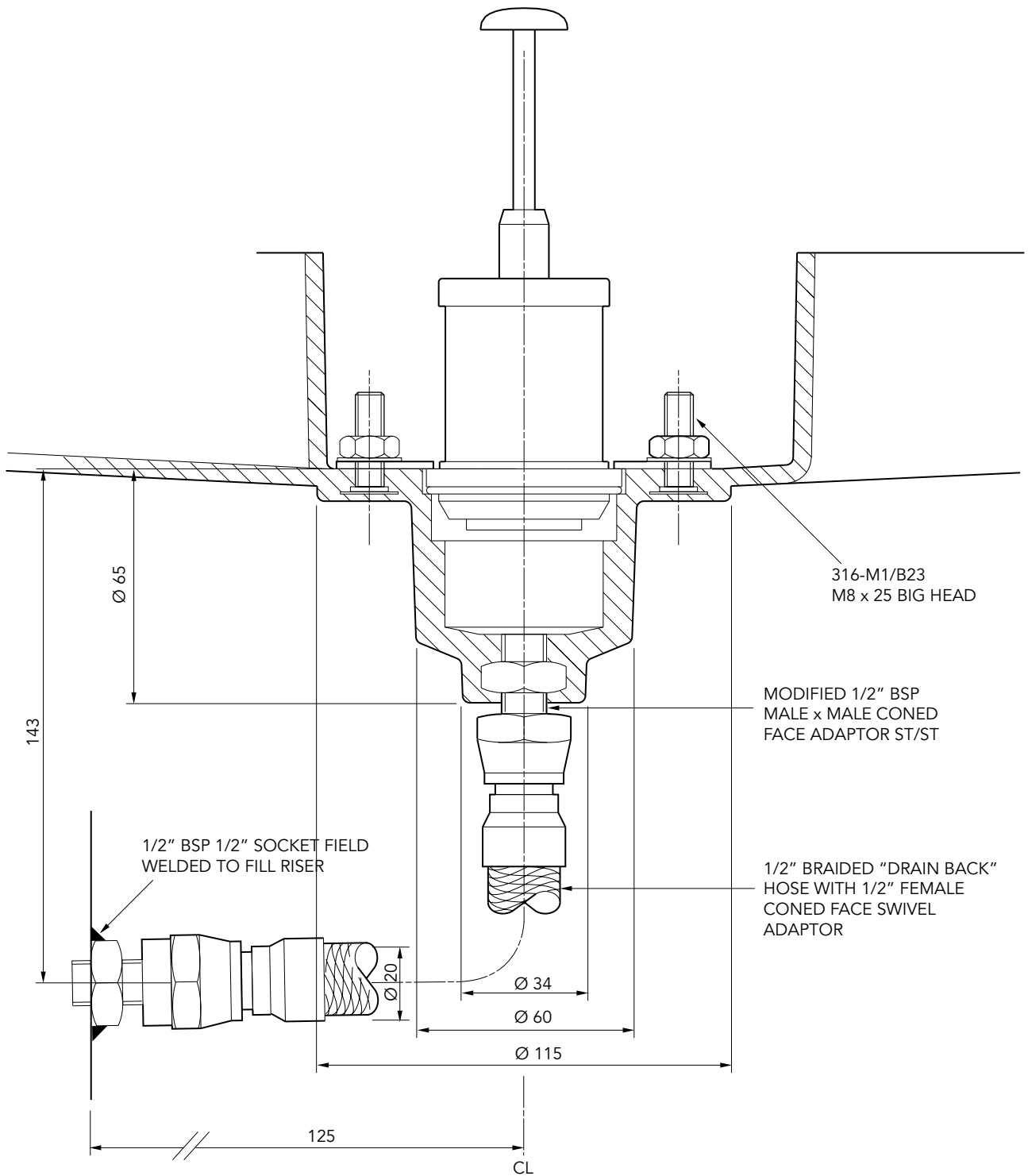
Spill Containment
Capacity = 35 Litres



500mm square x 600mm deep GRP solid base sump, GRP spill container with an integrated drainback system, GRP skirt, 760mm dia flat sealed cover and frame. ½ tin sealant. 1 Fill and 1 VR1B

For reference purposes only. This drawing is not a specification. Order against product code only. To enable continuous improvement of our products, the designs and specifications are subject to change without notice.

FIBRELITE 
PART OF OPW A DOVER COMPANY

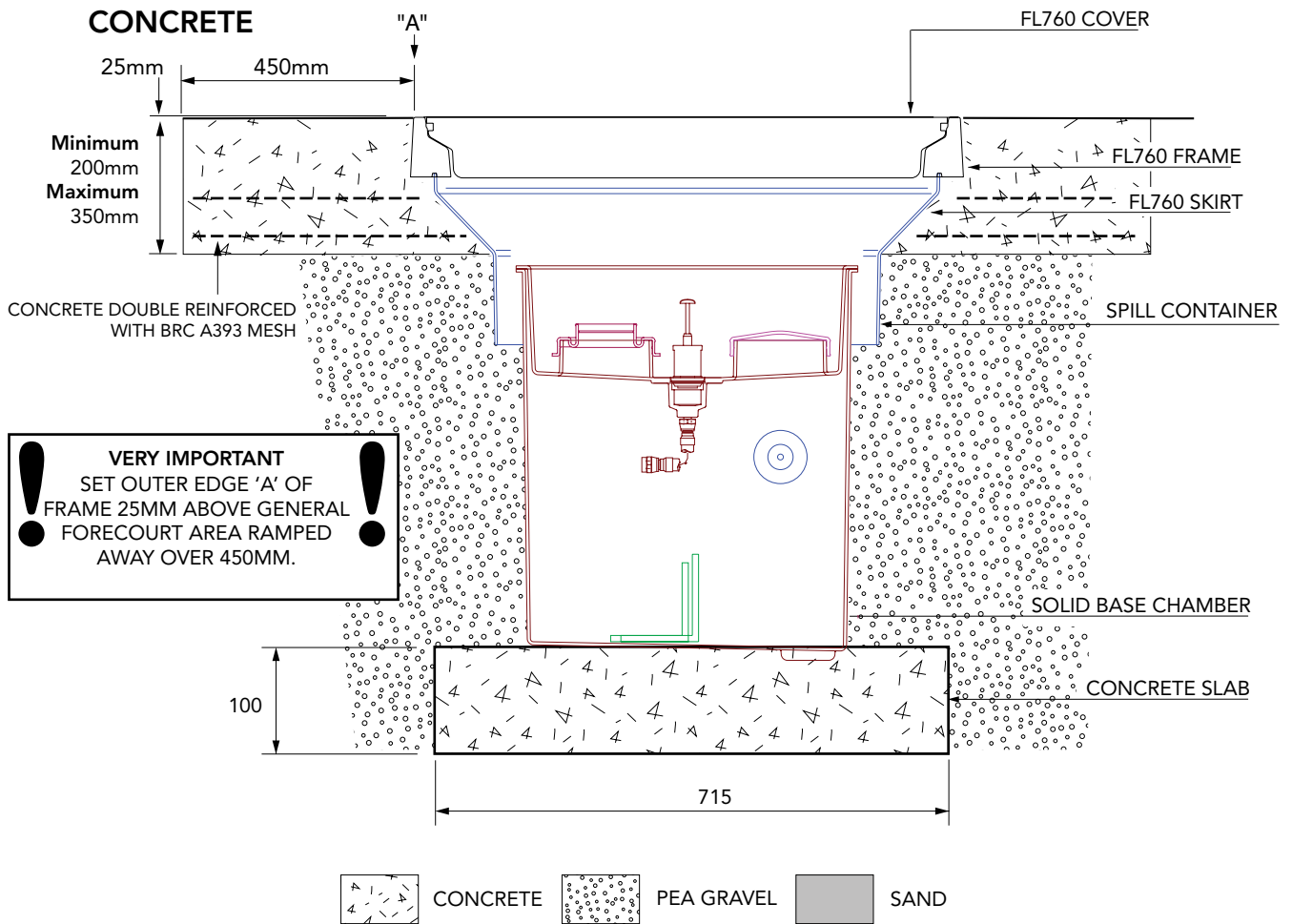


500mm square x 600mm deep GRP solid base sump, GRP spill container with an integrated drainback system, GRP skirt, 760mm dia flat sealed cover and frame. 1/2 tin sealant. 1 Fill and 1 VR1B

For reference purposes only. This drawing is not a specification. Order against product code only. To enable continuous improvement of our products, the designs and specifications are subject to change without notice.



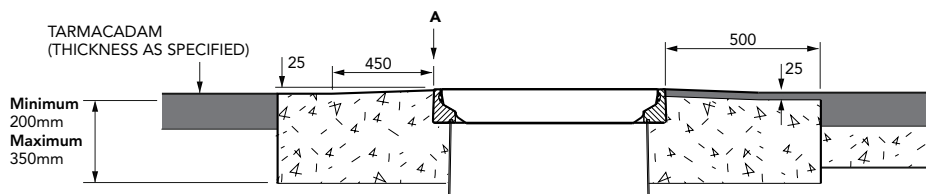
TYPICAL INSTALLATION



VERY IMPORTANT
 SET OUTER EDGE 'A' OF
 FRAME 25MM ABOVE GENERAL
 FORECOURT AREA RAMPED
 AWAY OVER 450MM.

ALTERNATIVE INSTALLATION ADVICE

TARMACADAM



500mm square x 600mm deep GRP solid base sump, GRP spill container with an integrated drainback system, GRP skirt, 760mm dia flat sealed cover and frame. ½ tin sealant. 1 Fill and 1 VR1B

For reference purposes only. This drawing is not a specification. Order against product code only. To enable continuous improvement of our products, the designs and specifications are subject to change without notice.

