

Solid structural platform to fit S2-360/OFD & S2-3760/OFD chamber systems.
Includes anti-slip surface and a hole to fit a drainback valve plunger. Cut holes on site.
Designed to fit bolted spill trays.

For reference purposes only. This drawing is not a specification. Order against product code only. To enable continuous improvement of our products, the designs and specifications are subject to change without notice.

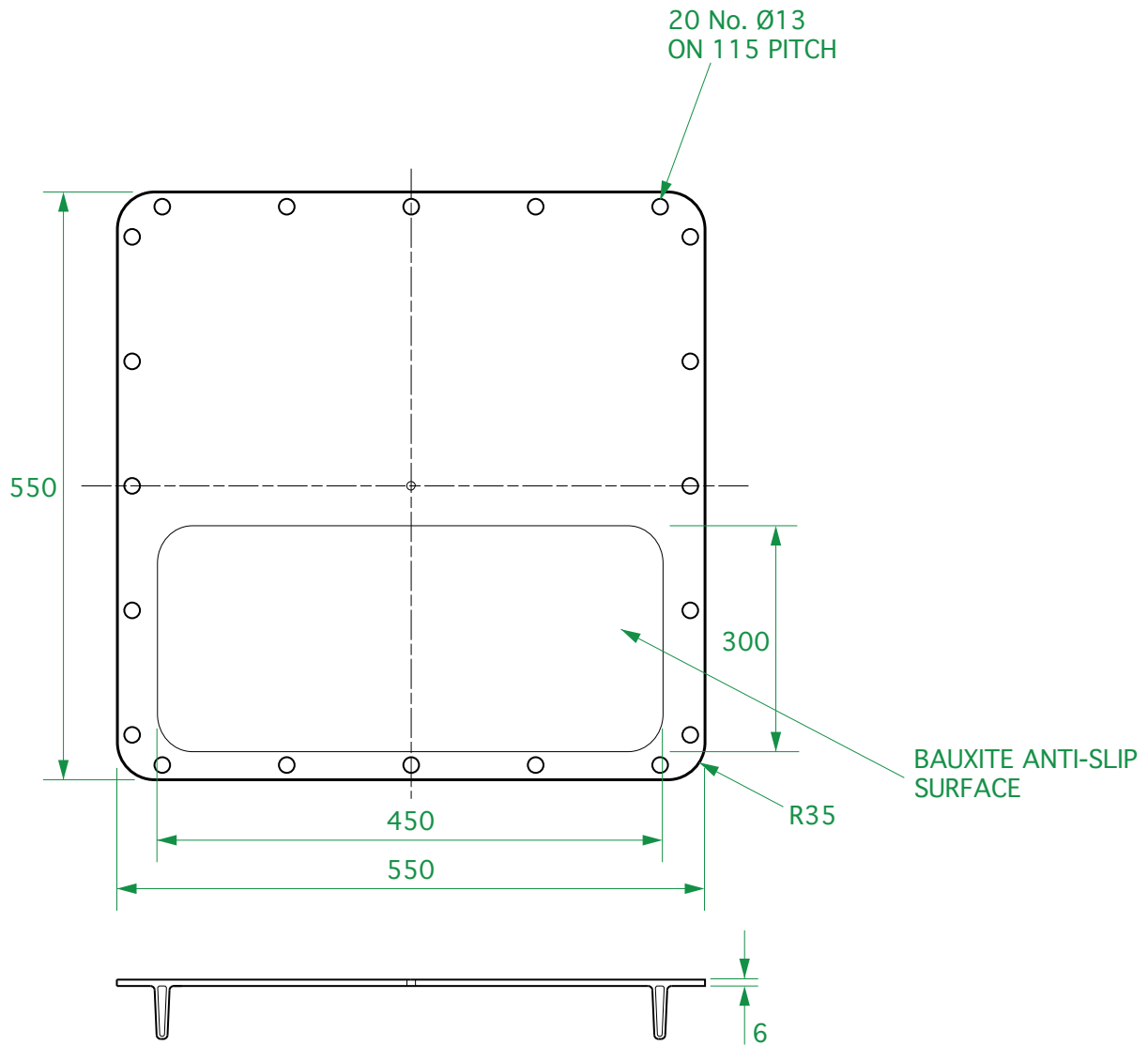
S2-3760-OFD-PLAT-SOLID

Issue: 11/06/2016

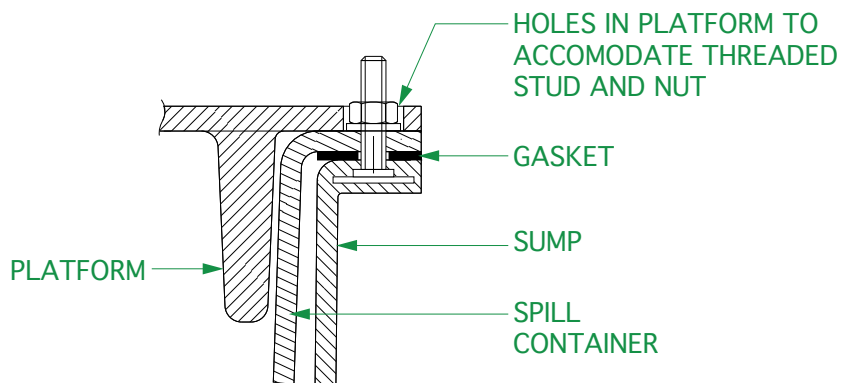
Page: 1 of 2

© Copyright

FIBRELITE 
PART OF OPW A DOVER COMPANY



INSTALLATION DETAIL



Solid structural platform to fit S2-360/OFD & S2-3760/OFD chamber systems. Includes anti-slip surface and a hole to fit a drainback valve plunger. Cut holes on site. Designed to fit bolted spill trays.

For reference purposes only. This drawing is not a specification. Order against product code only. To enable continuous improvement of our products, the designs and specifications are subject to change without notice.

FIBRELITE 
PART OF OPW A DOVER COMPANY