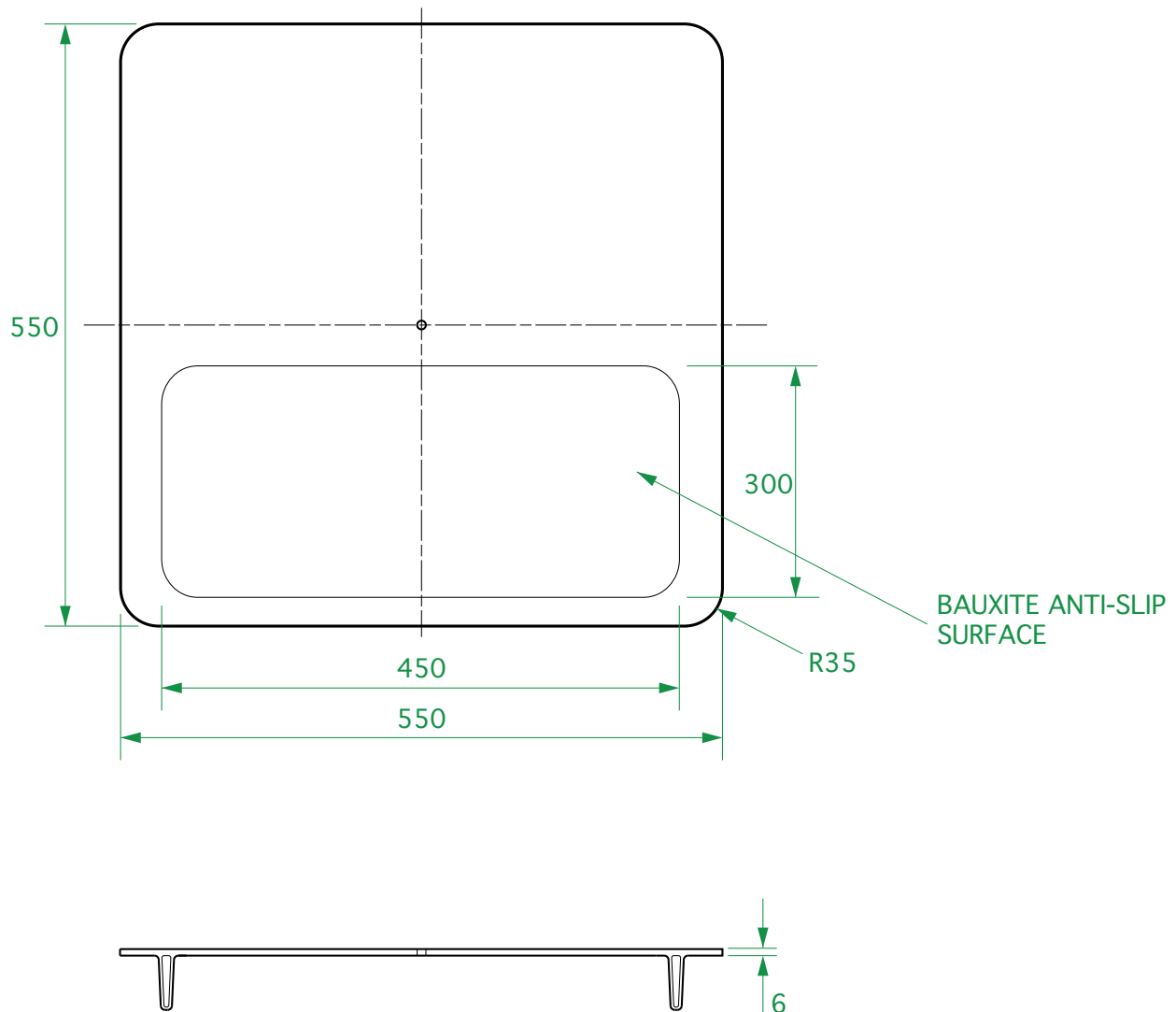


Solid Structural platform to fit S2-360/OFD chamber & S2-3760/OFD chamber systems. Includes anti-slip surface and a hole to fit a drainback valve plunger. Designed to retro-fit to existing sumps with an unbolted spill tray. Cut holes of site.

For reference purposes only. This drawing is not a specification. Order against product code only. To enable continuous improvement of our products, the designs and specifications are subject to change without notice.

FIBRELITE 
PART OF OPW A DOVER COMPANY



Solid Structural platform to fit S2-360/OFD chamber & S2-3760/OFD chamber systems. Includes anti-slip surface and a hole to fit a drainback valve plunger. Designed to retro-fit to existing sumps with an unbolted spill tray. Cut holes of site.

For reference purposes only. This drawing is not a specification. Order against product code only. To enable continuous improvement of our products, the designs and specifications are subject to change without notice.

