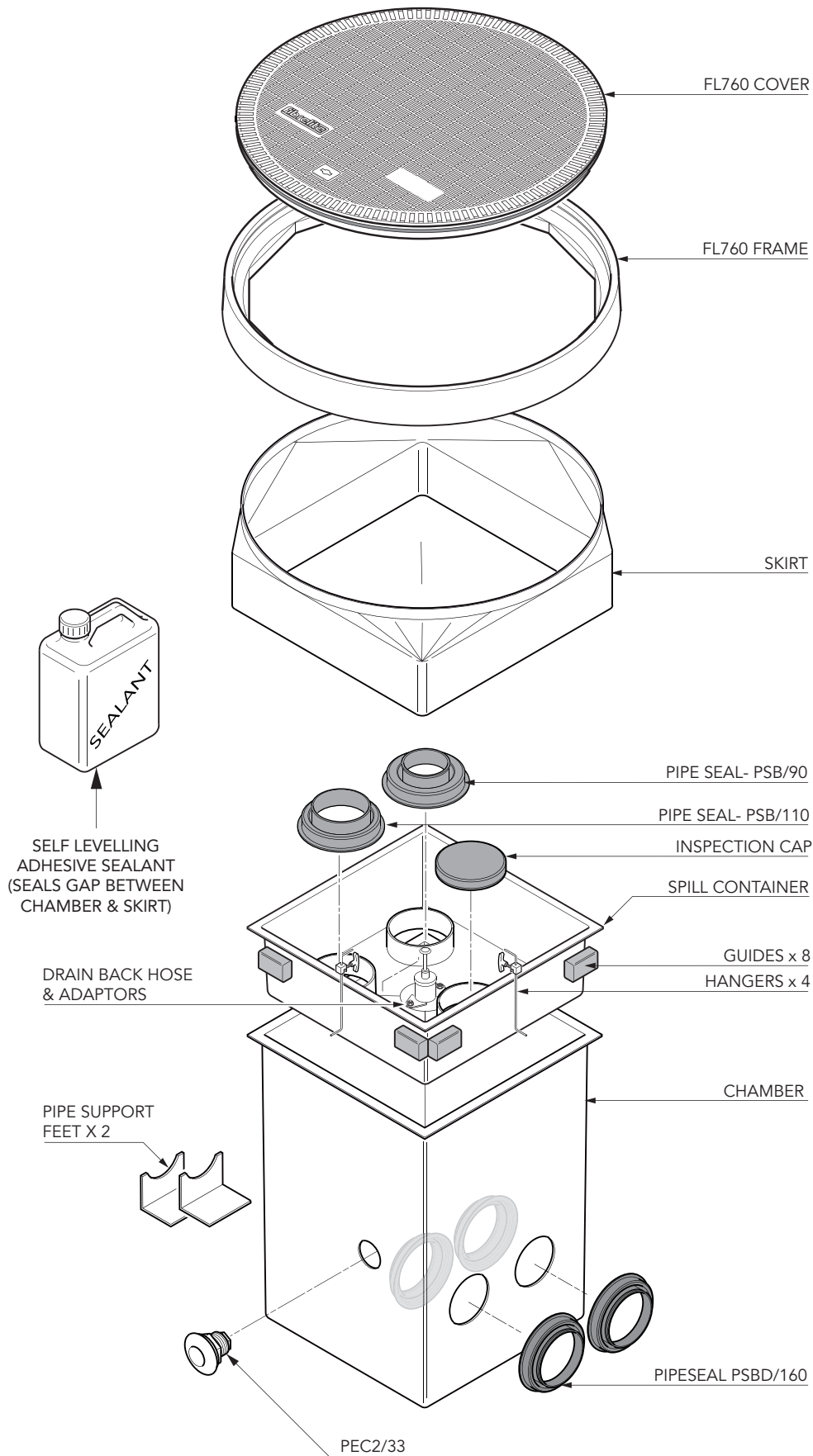


500mm square x 600mm deep GRP solid base sump. GRP spill container with an integrated drainback system, GRP skirt, 760mm dia flat sealed cover and frame. ½ tin sealant. Designed to fit UPP pipework. 1 Fill and 1 VR1B

For reference purposes only. This drawing is not a specification. Order against product code only. To enable continuous improvement of our products, the designs and specifications are subject to change without notice.

**FIBRELITE**   
PART OF OPW A DOVER COMPANY

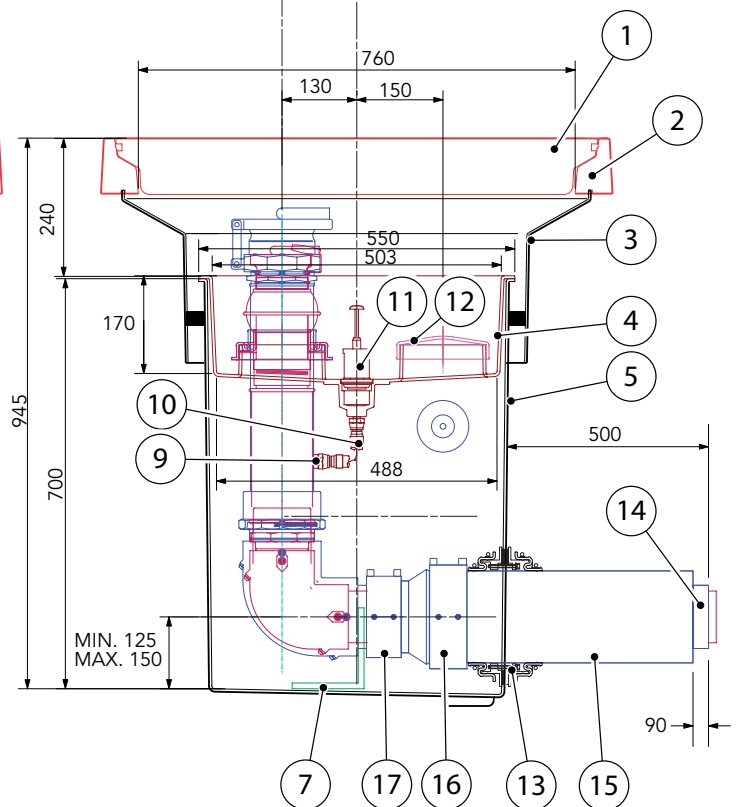
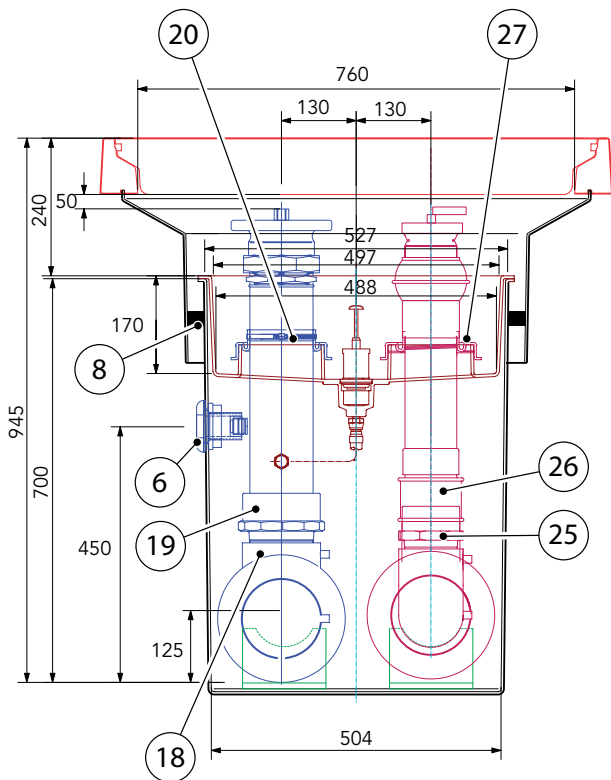
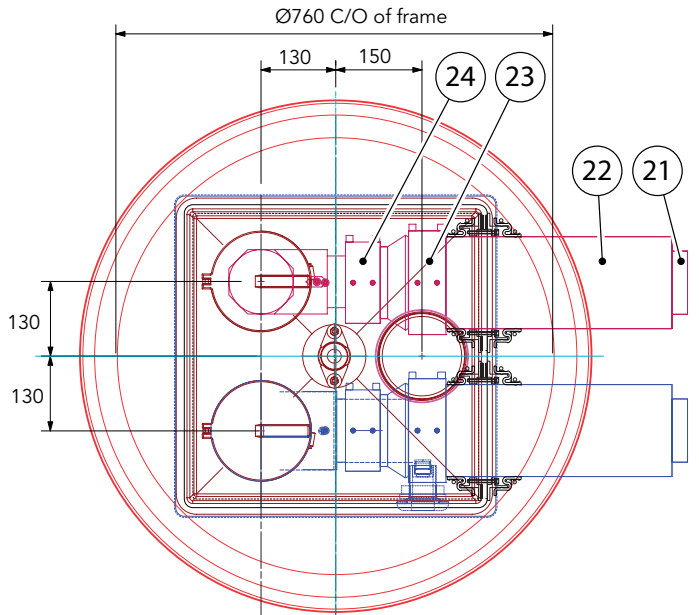


500mm square x 600mm deep GRP solid base sump. GRP spill container with an integrated drainback system, GRP skirt, 760mm dia flat sealed cover and frame. ½ tin sealant. Designed to fit UPP pipework. 1 Fill and 1 VR1B

For reference purposes only. This drawing is not a specification. Order against product code only. To enable continuous improvement of our products, the designs and specifications are subject to change without notice.

**FIBRELITE**   
PART OF OPW A DOVER COMPANY

Spill Containment  
Capacity = 35 Litres



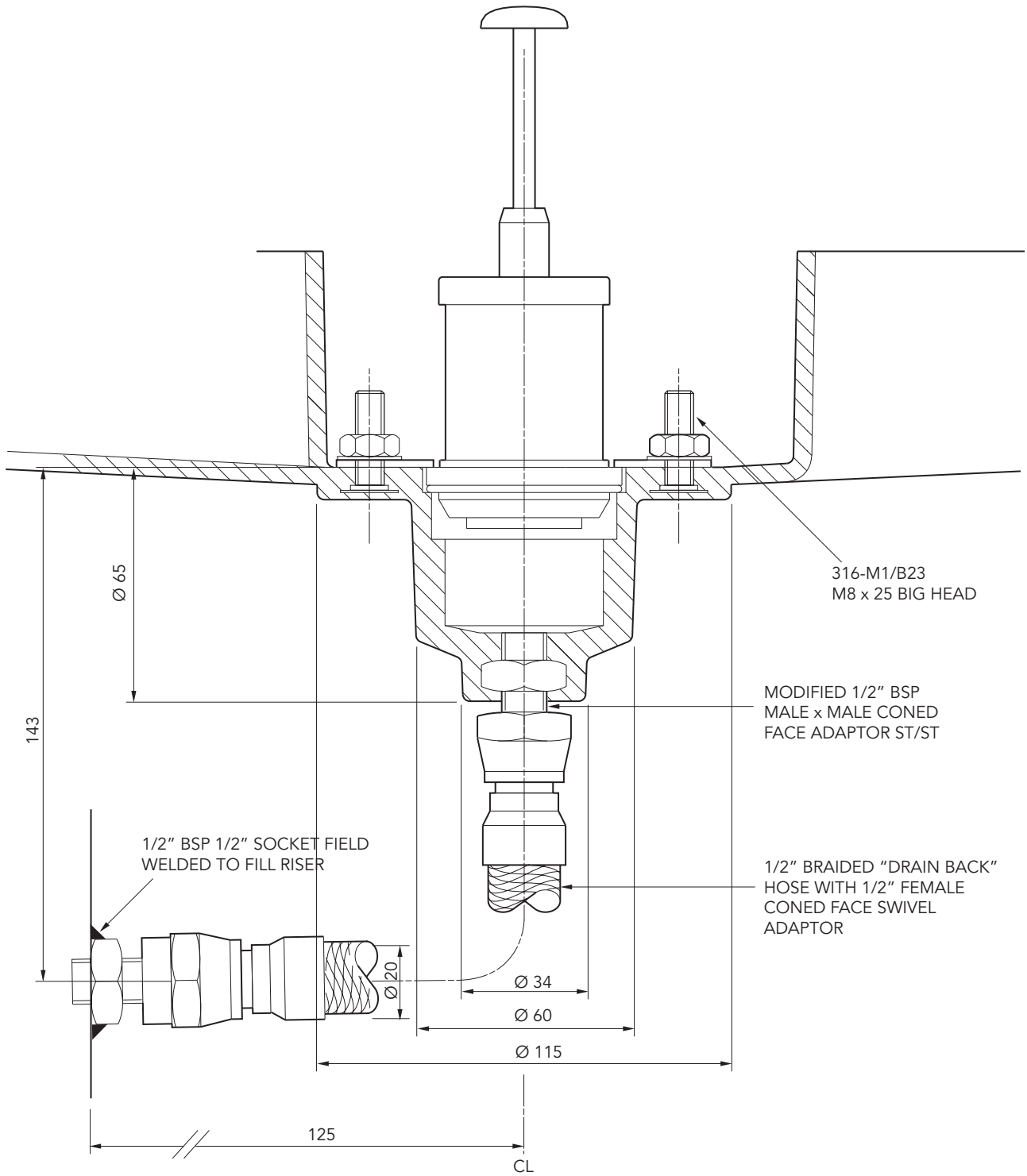
500mm square x 600mm deep GRP solid base sump, GRP spill container with an integrated drainback system, GRP skirt, 760mm dia flat sealed cover and frame. 1/2 tin sealant. Designed to fit UPP pipework. 1 Fill and 1 VR1B

For reference purposes only. This drawing is not a specification. Order against product code only. To enable continuous improvement of our products, the designs and specifications are subject to change without notice.



	ITEM	QTY
1	Fibrelite FL760 Cover	1
2	Fibrelite FL760 Frame	1
3	Fibrelite 270mm deep skirt	1
4	Fibrelite Drain back Spill Container	1
5	Fibrelite 500 x 500 x 700mm Deep Sump	1
6	Fibrelite Grounding Cable Seal (PEC2/33)	1
7	Fibrelite Pipe Support	2
8	Fibrelite Self-leveling Seal	1
<b>4" FILL</b>		
9	1/2" UNC Socket & Elbow	1
10	Stainless Steel Braided Drain Back Hose	1
11	Draw Back Valve	1
12	Inspection Cap	1
13	Fibrelite Ø160 Double Sided Pipe Entry Kit	1
14	UPP Ø110 Extra Primary Pipe	2
15	UPP Ø160 Secondary Pipe	2
16	UPP Ø160 SC Welding Coupler	2
17	UPP Ø160 x 110 SC Terminating Reducer (Test Port)	2
18	UPP 90° Electrofusion Elbow 110	1
19	UPP Threaded Female (brass) 110 Termination Fitting	2
20	PSB/110G Entry Boot	1
<b>3" VR1b</b>		
13	Fibrelite Ø160 Double Sided Pipe Entry Kit	1
21	UPP Ø90 Extra Primary Pipe	1
22	UPP Ø160 Secondary Pipe	1
23	UPP Ø160 SC Welding Coupler	1
24	UPP Ø160 x 90 SC Terminating Reducer (TP)	1
25	UPP Ø90mm 90° Electrofusion Elbow	1
26	UPP Ø90mm Threaded Female Termination Fitting	1
27	Fibrelite PSB/90G Entry Boot	1

**Note:** Also supplied with chamber system  
4 x Hangers & 8 x Foam Guides

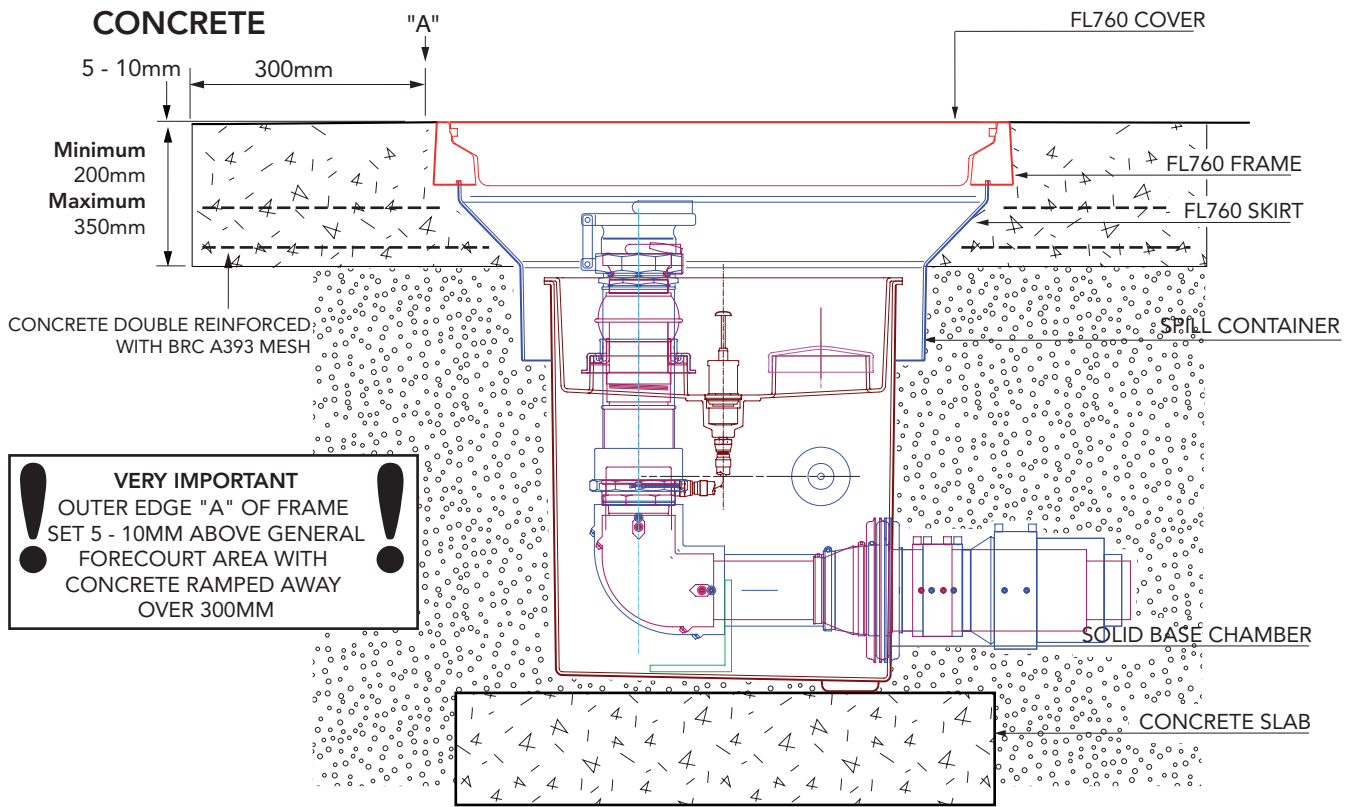


500mm square x 600mm deep GRP solid base sump, GRP spill container with an integrated drainback system, GRP skirt, 760mm dia flat sealed cover and frame. 1/2 tin sealant. Designed to fit UPP pipework. 1 Fill and 1 VR1B

For reference purposes only. This drawing is not a specification. Order against product code only. To enable continuous improvement of our products, the designs and specifications are subject to change without notice.

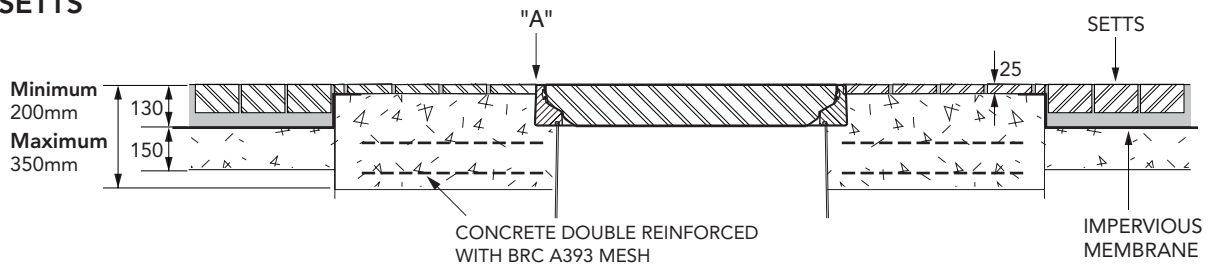
**FIBRELITE**   
PART OF OPW A DOVER COMPANY

## TYPICAL INSTALLATION



## ALTERNATIVE INSTALLATION ADVICE

### SETTS



500mm square x 600mm deep GRP solid base sump, GRP spill container with an integrated drainback system, GRP skirt, 760mm dia flat sealed cover and frame. ½ tin sealant. Designed to fit UPP pipework. 1 Fill and 1 VR1B

For reference purposes only. This drawing is not a specification. Order against product code only. To enable continuous improvement of our products, the designs and specifications are subject to change without notice.

**FIBRELITE**   
PART OF OPW A DOVER COMPANY