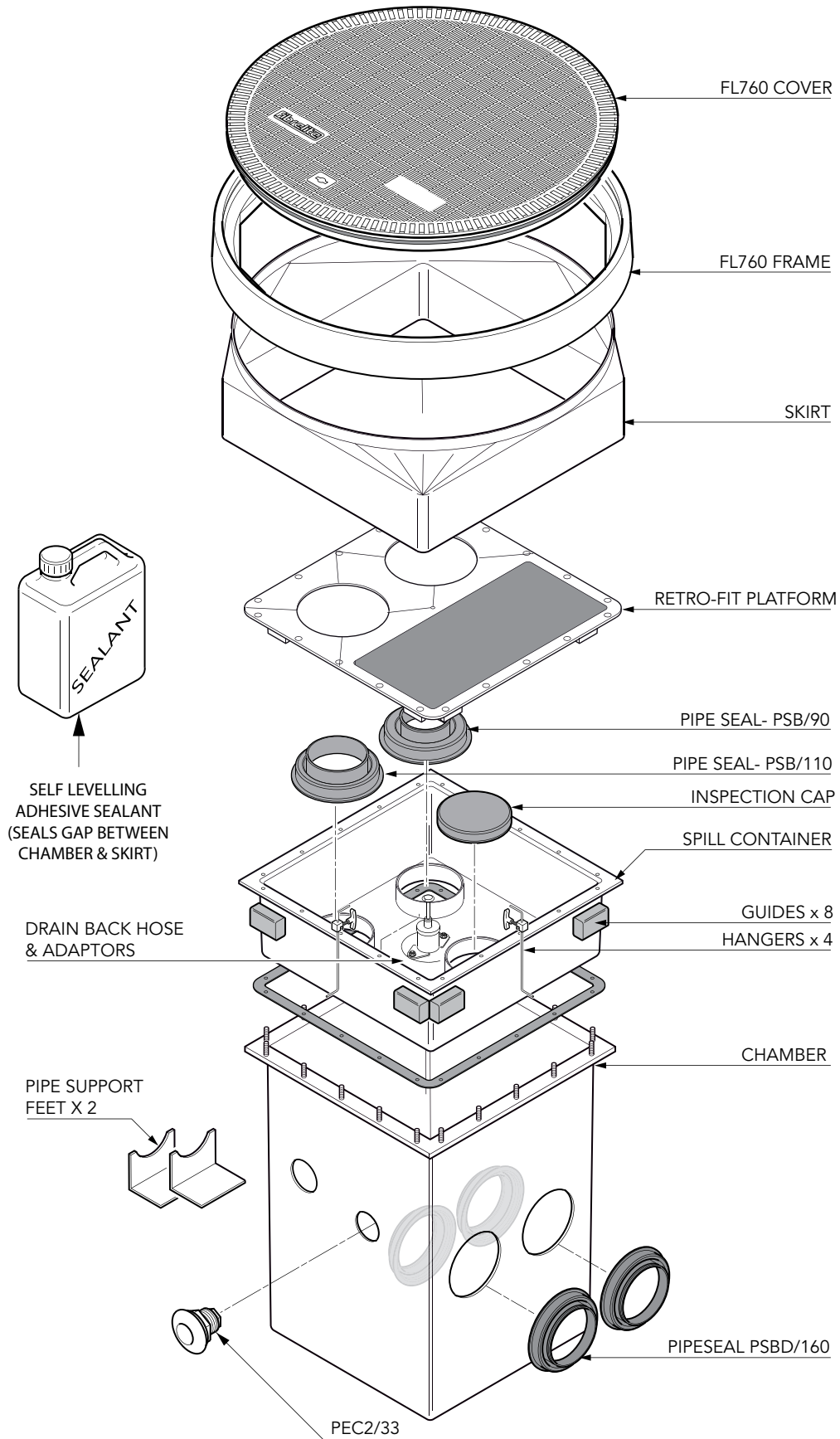


600mm square x 700mm deep offset fill chamber system with adjustable skirt, integrated spill container, 1/2 tin of sealant and FL760 flat sealed cover with composite frame. Also includes inspection port, all pipe entry fittings and penetration fitting for grounding connection. With drainback. Structural platform. Includes preinstalled UPP double-wall pipework for 1 fill & 1 VR only.

For reference purposes only. This drawing is not a specification. Order against product code only. To enable continuous improvement of our products, the designs and specifications are subject to change without notice.

**FIBRELITE**   
PART OF OPW A DOVER COMPANY



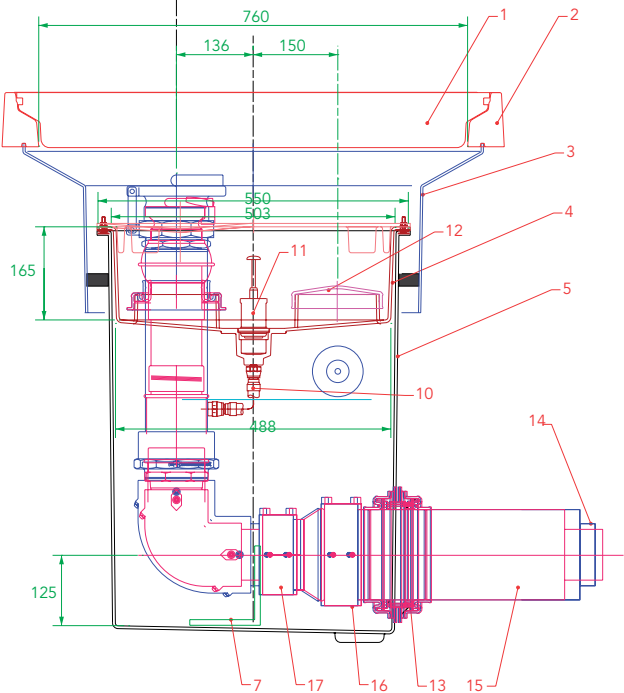
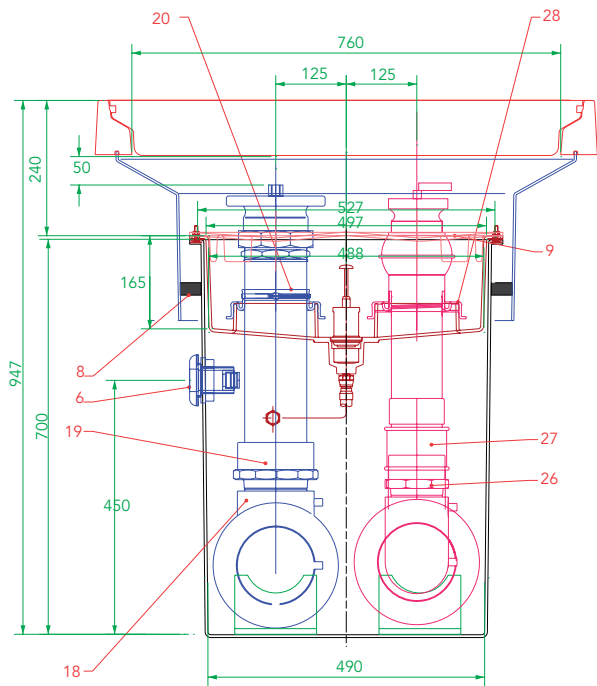
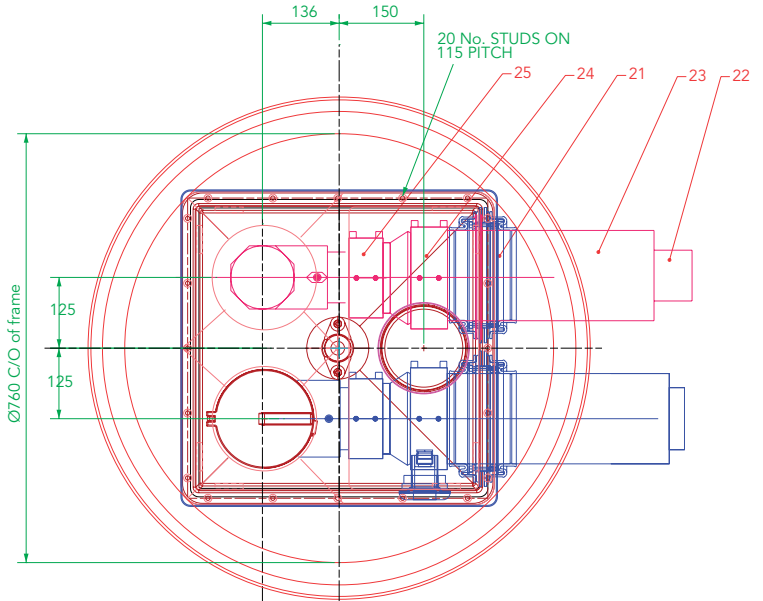
600mm square x 700mm deep offset fill chamber system with adjustable skirt, integrated spill container, 1/2 tin of sealant and FL760 flat sealed cover with composite frame. Also includes inspection port, all pipe entry fittings and penetration fitting for grounding connection. With drainback. Structural platform. Includes preinstalled UPP double-wall pipework for 1 fill & 1 VR only.

For reference purposes only. This drawing is not a specification. Order against product code only. To enable continuous improvement of our products, the designs and specifications are subject to change without notice.

**FIBRELITE**   
PART OF OPW A DOVER COMPANY

**Spill Containment Capacity  
= 35 Litres / 9.25 US Gall**

For Bill of Materials see next page



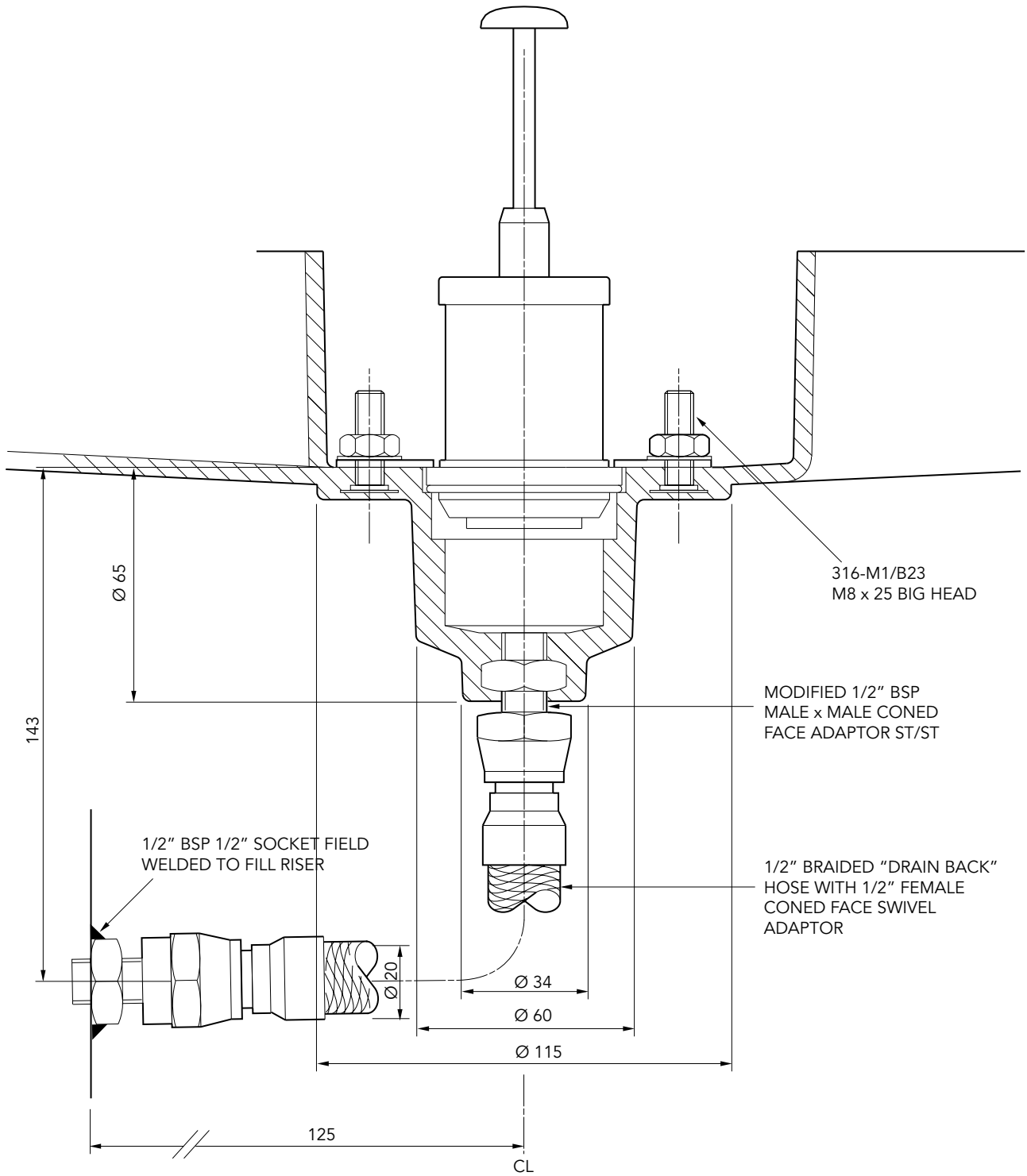
Note: Also supplied with chamber system 4 x Hangers & 8 x Foam Guides

Note: Drainback sealing off kit available for non-drainback versions

	ITEM	QTY
1	Fibrelite FL760 Cover	1
2	Fibrelite FL760 Frame	1
3	Fibrelite 270mm deep skirt	1
4	Fibrelite Drain back Spill Container	1
5	Fibrelite 500 x 500 x 700mm Deep Sump	1
6	Fibrelite Grounding Cable Seal (PEC2/33)	1
7	Fibrelite Pipe Support	2
8	Fibrelite Self-leveling Seal	1
9	Fibrelite Retro-Fit Platform	1
<b>4" FILL</b>		
10	Stainless Steel Braided Drain Back Hose	1
11	Drain Back Valve	1
12	Inspection Cap	1
13	Fibrelite Ø160 Double Sided Pipe Entry Kit	1
14	UPP Ø110 Extra Primary Pipe	1
15	UPP Ø160 Secondary Pipe	1
16	UPP Ø160 SC Welding Coupler	1
17	UPP Ø160 x 110 SC Terminating Reducer (Test Port)	1
18	UPP 90° Electrofusion Elbow 110	1
19	UPP Threaded Female (brass) 110 Termination Fitting	1
20	PSB/110G Entry Boot	1
<b>3" VR1b</b>		
21	Fibrelite Ø160 Double Sided Pipe Entry Kit	1
22	UPP Ø90 Extra Pipe	1
23	UPP Ø160 Secondary Pipe	1
24	Welding Coupler UPP 160mm	1
25	UPP Terminating Reducer 160/190mm SC	1
26	UPP 90mm Electrofusion 90° Elbow	1
27	UPP Threaded Female 90mm 3" BSPT Terminating Fitting	1
28	Fibrelite PSB/90G Entry Boot	1

600mm square x 700mm deep offset fill chamber system with adjustable skirt, integrated spill container, 1/2 tin of sealant and FL760 flat sealed cover with composite frame. Also includes inspection port, all pipe entry fittings and penetration fitting for grounding connection. With drainback. Structural platform. Includes preinstalled UPP double-wall pipework for 1 fill & 1 VR only.

For reference purposes only. This drawing is not a specification. Order against product code only. To enable continuous improvement of our products, the designs and specifications are subject to change without notice.



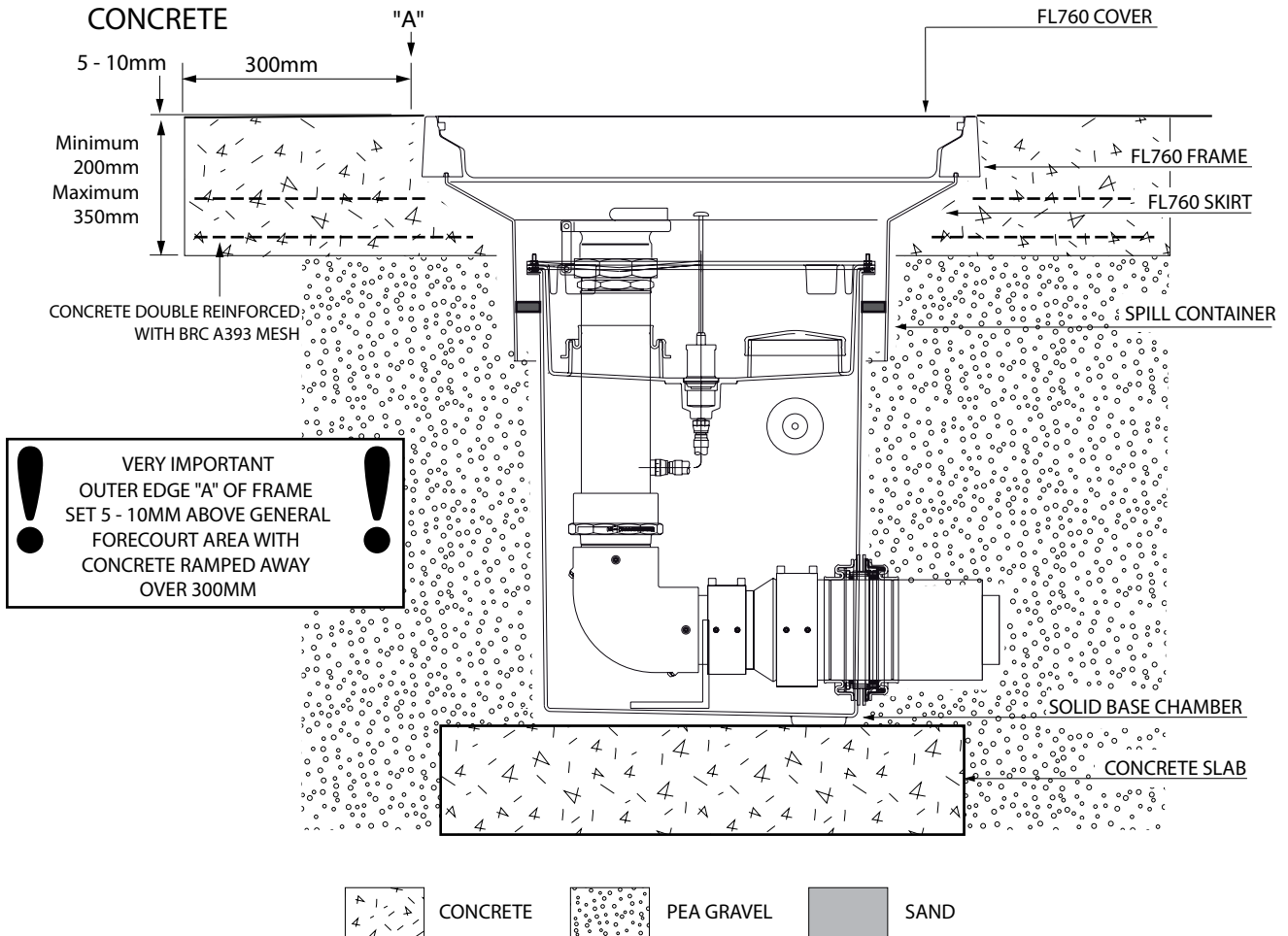
316-M1/B23  
M8 x 25 BIG HEAD

MODIFIED 1/2" BSP  
MALE x MALE CONED  
FACE ADAPTOR ST/ST

1/2" BRAIDED "DRAIN BACK"  
HOSE WITH 1/2" FEMALE  
CONED FACE SWIVEL  
ADAPTOR

1/2" BSP 1/2" SOCKET FIELD  
WELDED TO FILL RISER

## TYPICAL INSTALLATION



## ALTERNATIVE INSTALLATION ADVICE

### SETTS

