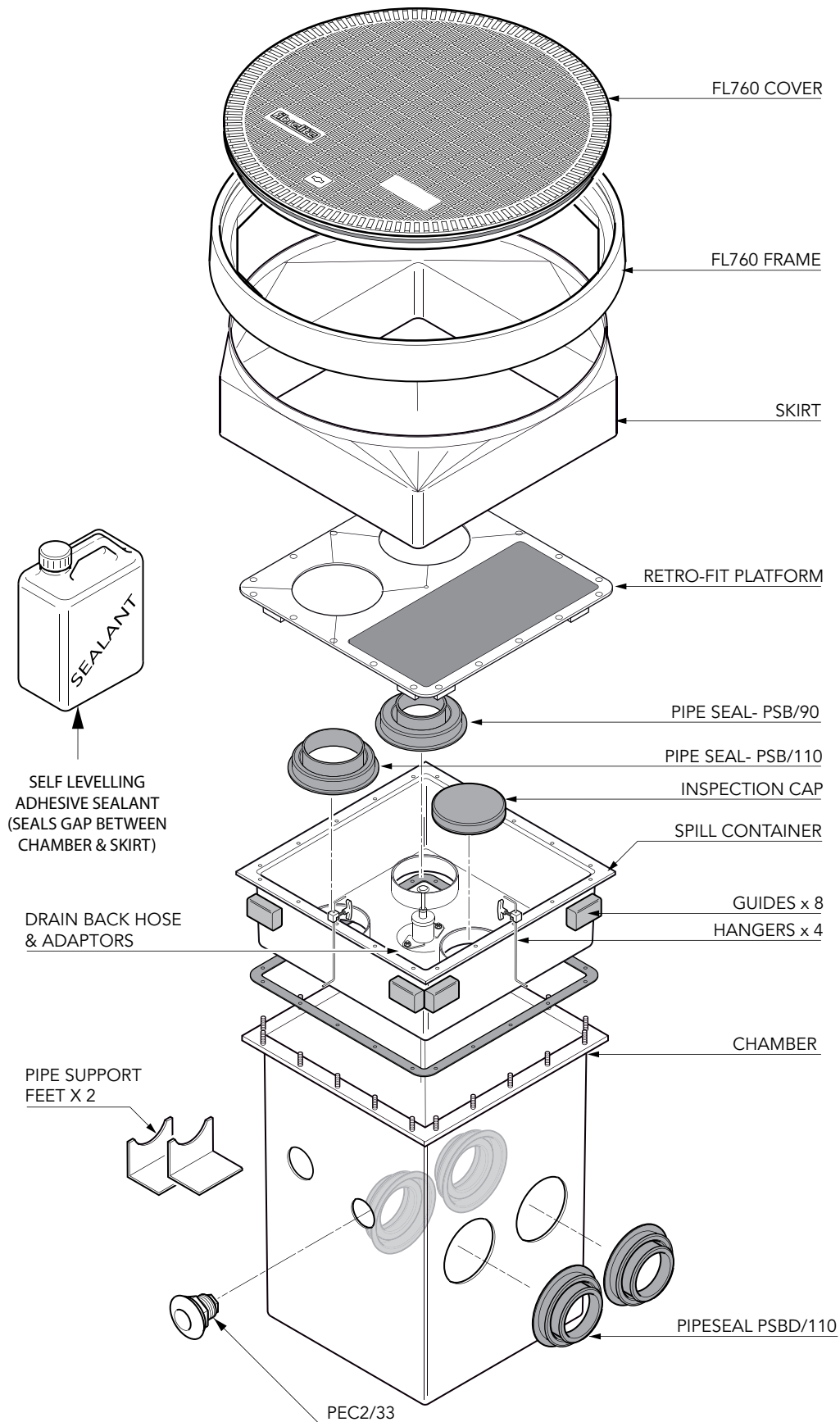


600mm square x 700mm deep offset fill chamber system with adjustable skirt, integrated spill container, 1/2 tin of sealant and FL760 flat sealed cover with composite frame. Also includes inspection port, all pipe entry fittings and penetration fitting for grounding connection. With drainback. Structural platform. Includes preinstalled UPP single-wall pipework for 1 fill & 1 VR only.

For reference purposes only. This drawing is not a specification. Order against product code only. To enable continuous improvement of our products, the designs and specifications are subject to change without notice.

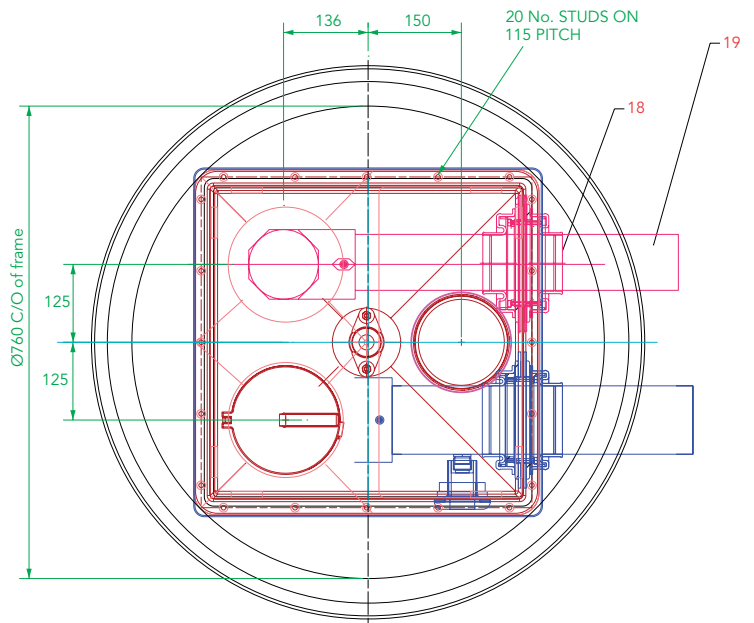


600mm square x 700mm deep offset fill chamber system with adjustable skirt, integrated spill container, 1/2 tin of sealant and FL760 flat sealed cover with composite frame. Also includes inspection port, all pipe entry fittings and penetration fitting for grounding connection. With drainback. Structural platform. Includes preinstalled UPP single-wall pipework for 1 fill & 1 VR only.

For reference purposes only. This drawing is not a specification. Order against product code only. To enable continuous improvement of our products, the designs and specifications are subject to change without notice.

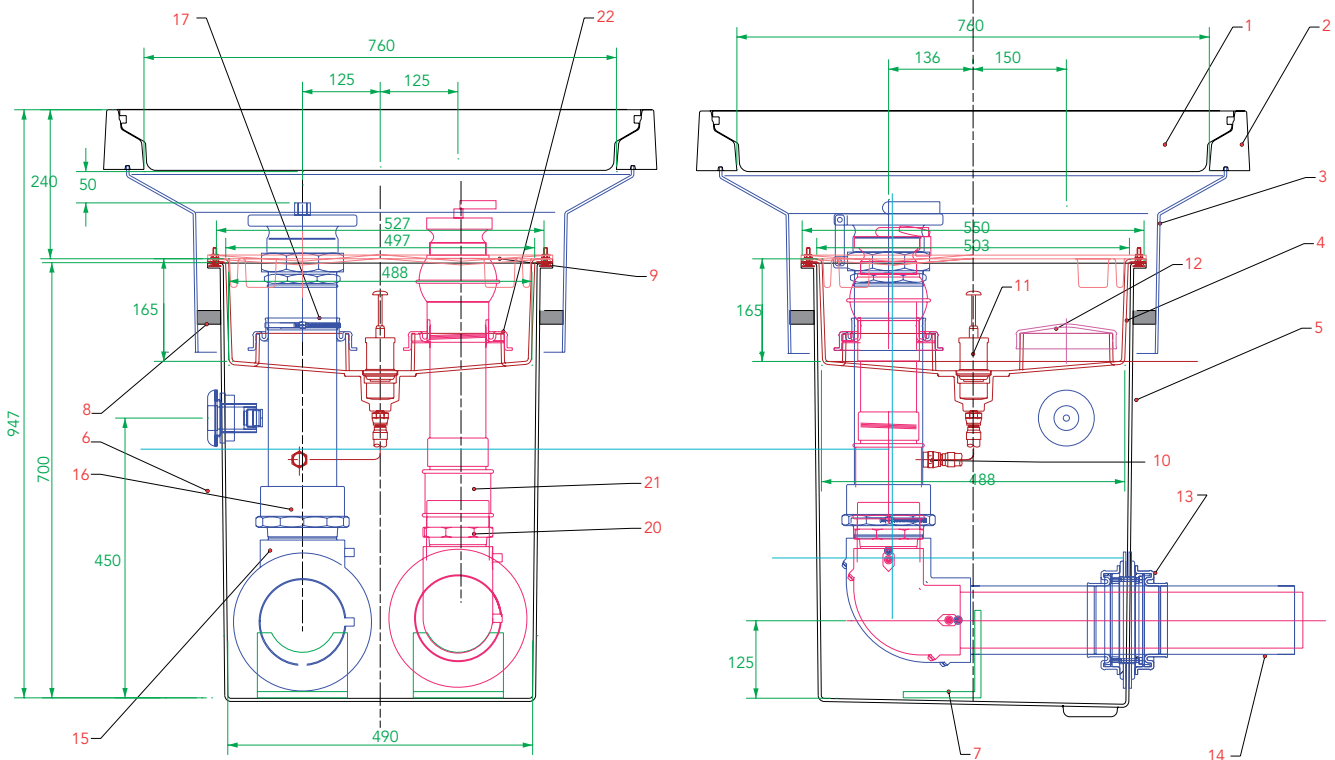
**Spill Containment Capacity
= 35 Litres / 9.25 US Gall**

ITEM	QTY
1 Fibrelite FL760 Cover	1
2 Fibrelite FL760 Frame	1
3 Fibrelite 270mm deep skirt	1
4 Fibrelite Drain back Spill Container	1
5 Fibrelite 500 x 500 x 700mm Deep Sump	1
6 Fibrelite Grounding Cable Seal (PEC2/33)	1
7 Fibrelite Pipe Support	2
8 Fibrelite Self-leveling Seal	1
9 Fibrelite Retro-Fit Platform	1
4" FILL	
10 Stainless Steel Braided Drain Back Hose	1
11 Drain Back Valve	1
12 Inspection Cap	1
13 Fibrelite Ø110 Double Sided Pipe Entry Kit	1
14 UPP Ø110 Extra Primary Pipe	1
15 UPP 90° Electrofusion Elbow 110	1
16 UPP Threaded Female (brass) 110 Termination Fitting	1
17 PSB/110G Entry Boot	1
3" VR1b	
18 Fibrelite 90mm Double Sided Pipe Entry Kit	1
19 UPP 90mm Extra Pipe	1
20 UPP 90mm Electrofusion 90° Elbow	1
21 UPP Threaded Female 90mm 3" BSPT Terminating Fitting	1
22 Fibrelite PSB/90G Entry Boot	1



Note: Drainback sealing off kit available for non-drainback versions

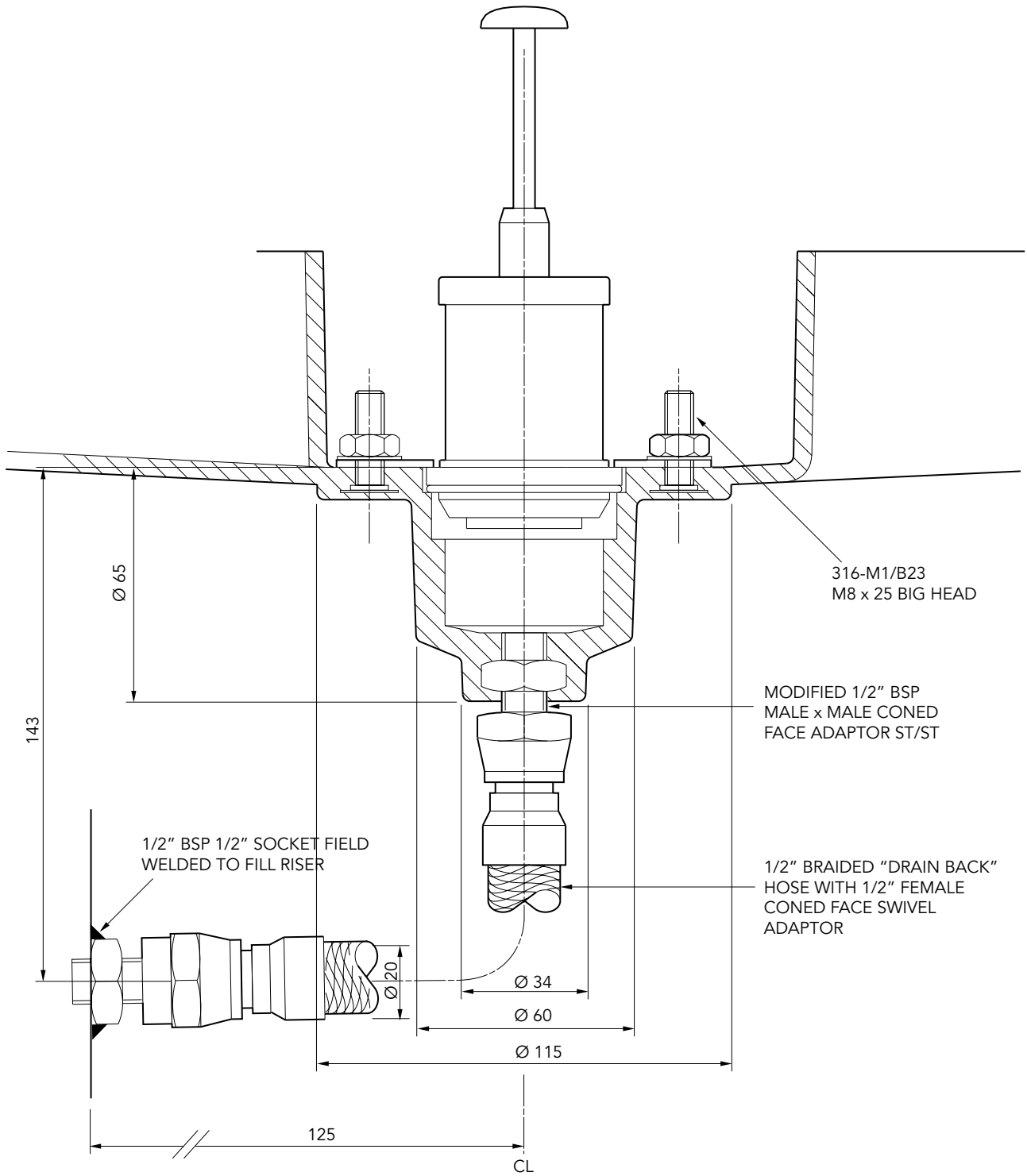
Note: Also supplied with chamber system 4 x Hangers & 8 x Foam Guides



600mm square x 700mm deep offset fill chamber system with adjustable skirt, integrated spill container, 1/2 tin of sealant and FL760 flat sealed cover with composite frame. Also includes inspection port, all pipe entry fittings and penetration fitting for grounding connection. With drainback. Structural platform. Includes preinstalled UPP single-wall pipework for 1 fill & 1 VR only.

For reference purposes only. This drawing is not a specification. Order against product code only. To enable continuous improvement of our products, the designs and specifications are subject to change without notice.

FIBRELITE 
PART OF OPW A DOVER COMPANY



316-M1/B23
M8 x 25 BIG HEAD

MODIFIED 1/2" BSP
MALE x MALE CONED
FACE ADAPTOR ST/ST

1/2" BRAIDED "DRAIN BACK"
HOSE WITH 1/2" FEMALE
CONED FACE SWIVEL
ADAPTOR

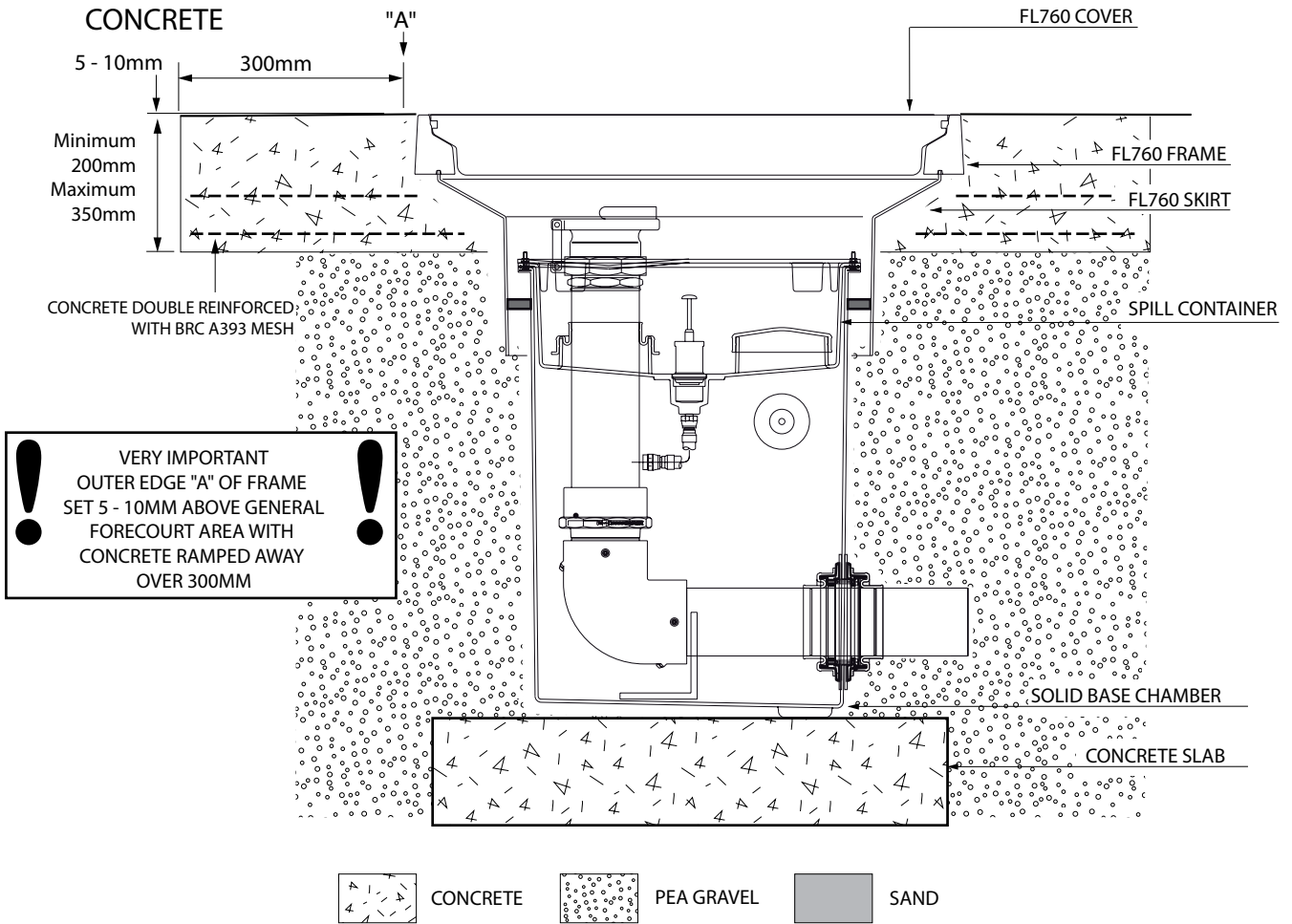
1/2" BSP 1/2" SOCKET FIELD
WELDED TO FILL RISER

600mm square x 700mm deep offset fill chamber system with adjustable skirt, integrated spill container, 1/2 tin of sealant and FL760 flat sealed cover with composite frame. Also includes inspection port, all pipe entry fittings and penetration fitting for grounding connection. With drainback. Structural platform. Includes preinstalled UPP single-wall pipework for 1 fill & 1 VR only.

For reference purposes only. This drawing is not a specification. Order against product code only. To enable continuous improvement of our products, the designs and specifications are subject to change without notice.

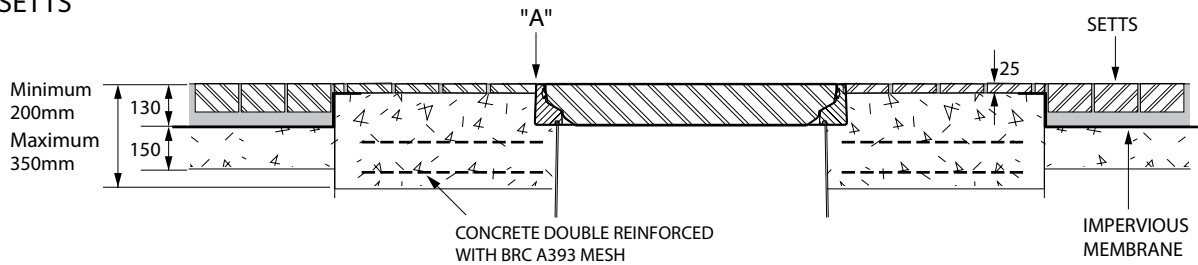
FIBRELITE 
PART OF OPW A DOVER COMPANY

TYPICAL INSTALLATION



ALTERNATIVE INSTALLATION ADVICE

SETTS



600mm square x 700mm deep offset fill chamber system with adjustable skirt, integrated spill container, 1/2 tin of sealant and FL760 flat sealed cover with composite frame. Also includes inspection port, all pipe entry fittings and penetration fitting for grounding connection. With drainback. Structural platform. Includes preinstalled UPP single-wall pipework for 1 fill & 1 VR only.

For reference purposes only. This drawing is not a specification. Order against product code only. To enable continuous improvement of our products, the designs and specifications are subject to change without notice.

FIBRELITE
 PART OF OPW A DOVER COMPANY