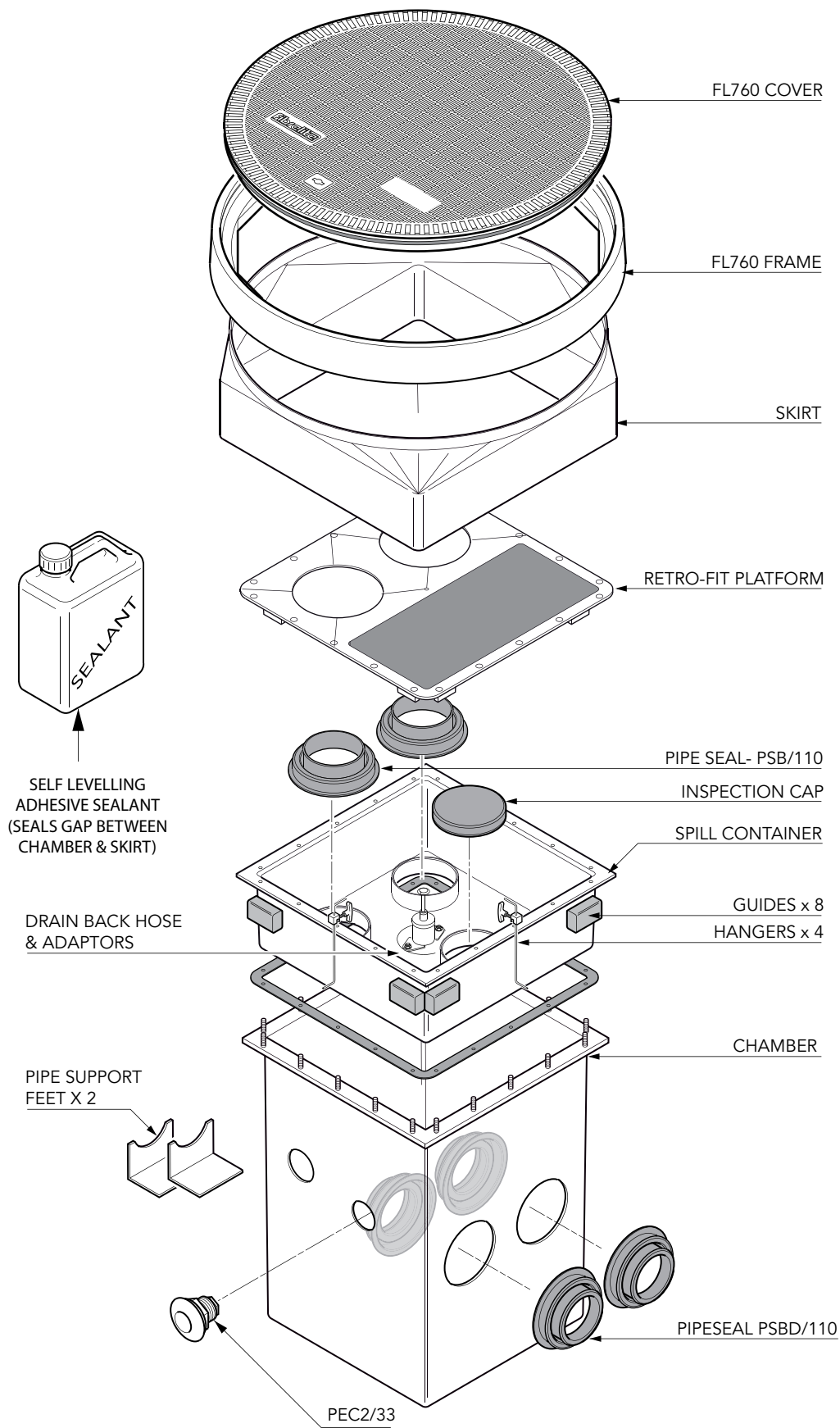


600mm square x 700mm deep offset fill chamber system with adjustable skirt, integrated spill container, 1/2 tin of sealant and FL760 flat sealed cover with composite frame. Also includes inspection port, all pipe entry fittings and penetration fitting for grounding pipework connection. With drainback. Structural platform. Includes preinstalled UPP single-wall pipework for 2 fills.

For reference purposes only. This drawing is not a specification. Order against product code only. To enable continuous improvement of our products, the designs and specifications are subject to change without notice.



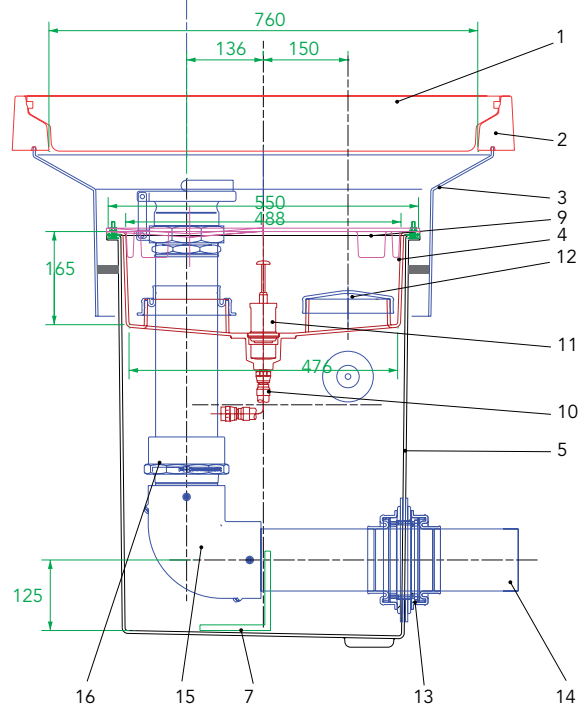
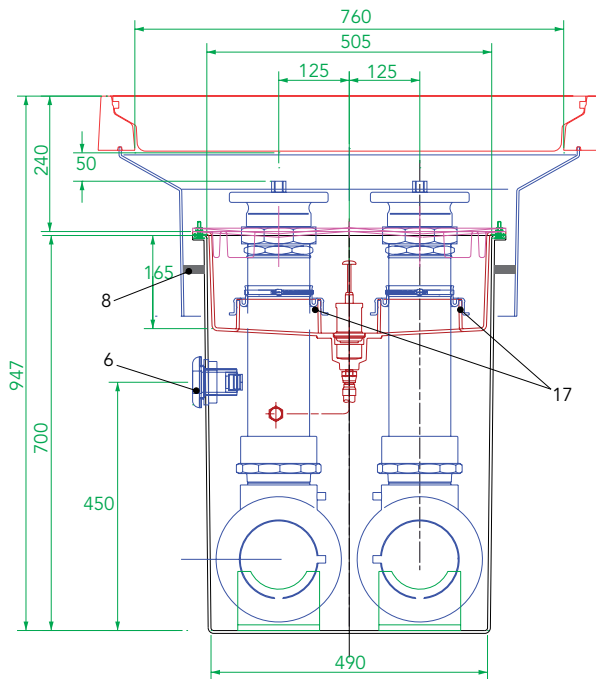
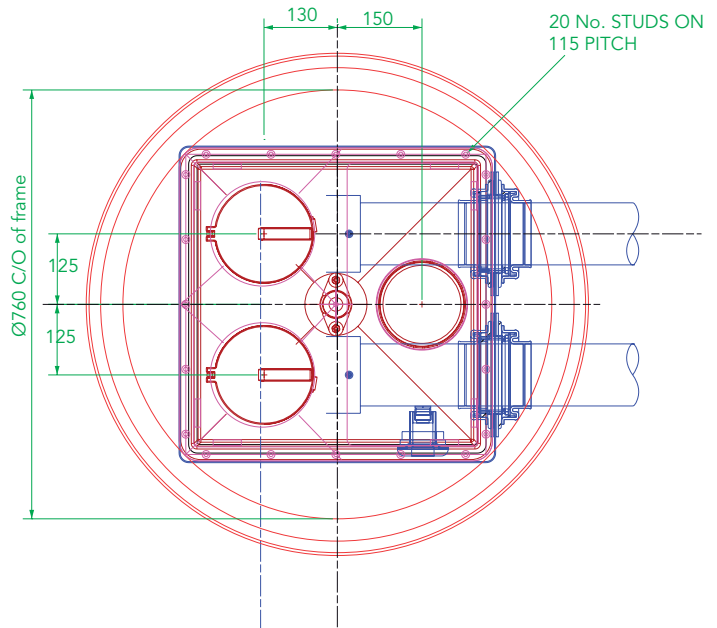
600mm square x 700mm deep offset fill chamber system with adjustable skirt, integrated spill container, 1/2 tin of sealant and FL760 flat sealed cover with composite frame. Also includes inspection port, all pipe entry fittings and penetration fitting for grounding connection. With drainback. Structural platform. Includes preinstalled UPP single-wall pipework for 2 fills.

For reference purposes only. This drawing is not a specification. Order against product code only. To enable continuous improvement of our products, the designs and specifications are subject to change without notice.

FIBRELITE 
PART OF OPW A DOVER COMPANY

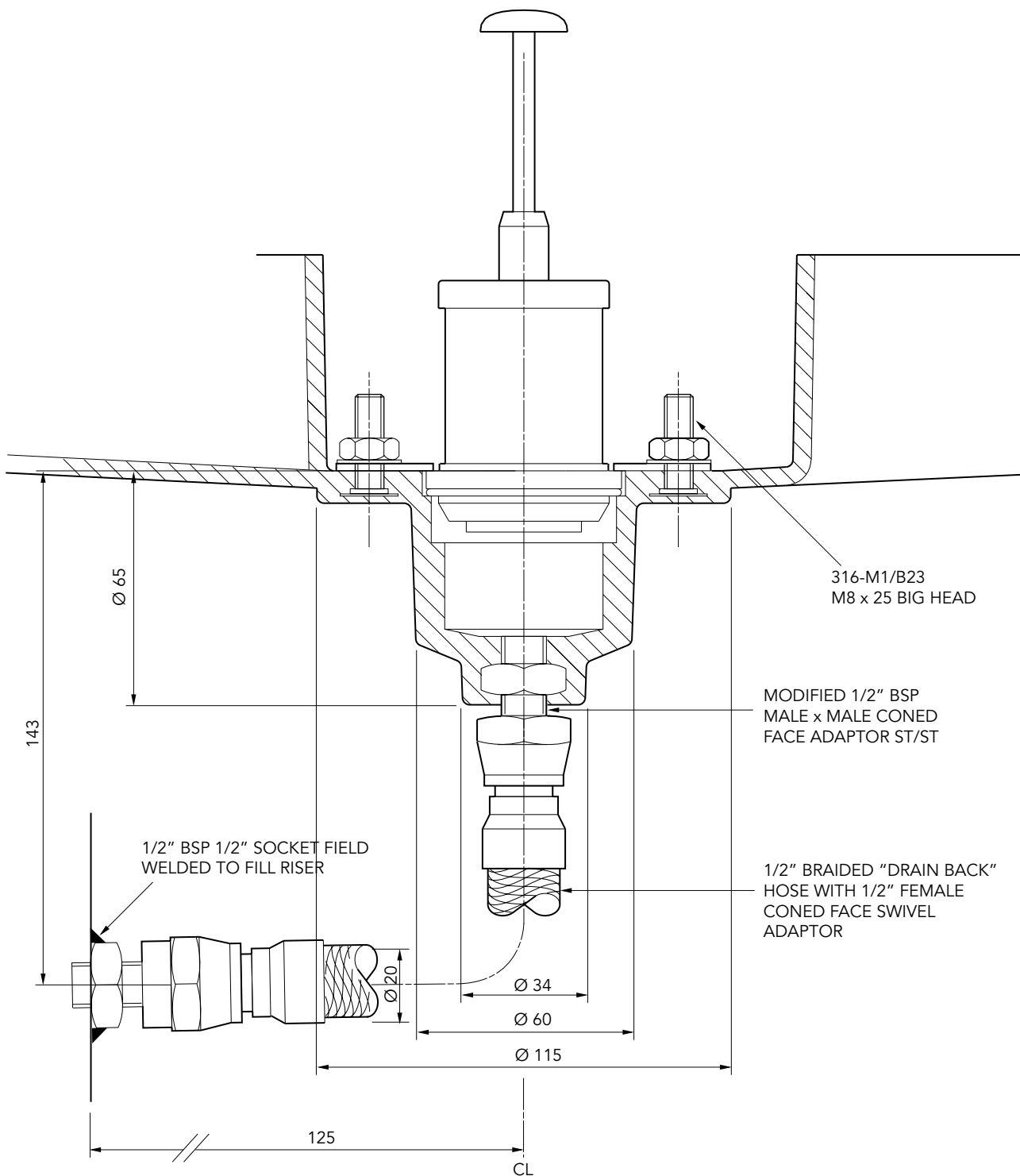
**Spill Containment Capacity
= 35 Litres / 9.25 US Gall**

ITEM		QTY
1	Fibrelite FL760 Cover	1
2	Fibrelite FL760 Frame	1
3	Fibrelite 270mm deep skirt	1
4	Fibrelite Spill Container with integrated drain back valve	1
5	Fibrelite 500 x 500 x 700mm Deep Sump	1
6	Fibrelite Grounding Cable Seal (PEC2/33)	1
7	Fibrelite Pipe Support	2
8	Fibrelite Self-leveling Seal	1
9	Fibrelite Retro-Fit Platform	1
4" FILL		
10	Drain back hose kit, consisting of; flexible drain back hose, 1/2" BSPT male x male cone faced adaptor, 1/2" BSP 1/2 socket	1
11	Drain Back Valve	1
12	Inspection Cap	1
13	Fibrelite Ø110 Double Sided Pipe Entry Kit	2
14	UPP Ø110 Extra Primary Pipe	2
15	UPP 90° Electrofusion Elbow 110	2
16	UPP Threaded Female (brass) 110 Termination Fitting	2
17	PSB/110G Entry Boot	2



Note: Also supplied with chamber system 4 x Hangers & 8 x Foam Guides

Note: Drainback sealing off kit available for non-drainback versions

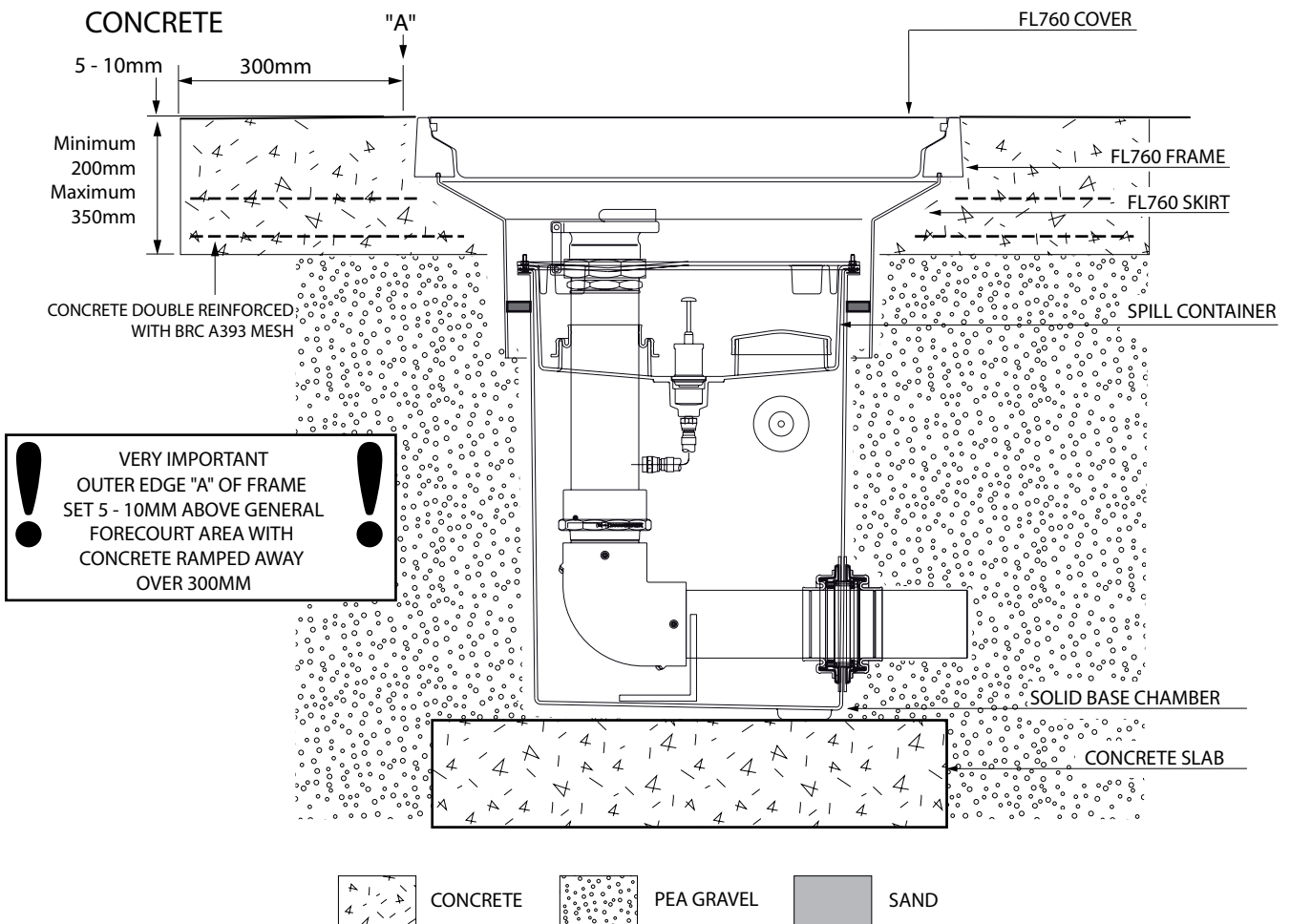


600mm square x 700mm deep offset fill chamber system with adjustable skirt, integrated spill container, 1/2 tin of sealant and FL760 flat sealed cover with composite frame. Also includes inspection port, all pipe entry fittings and penetration fitting for grounding connection. With drainback. Structural platform. Includes preinstalled UPP single-wall pipework for 2 fills.

For reference purposes only. This drawing is not a specification. Order against product code only. To enable continuous improvement of our products, the designs and specifications are subject to change without notice.

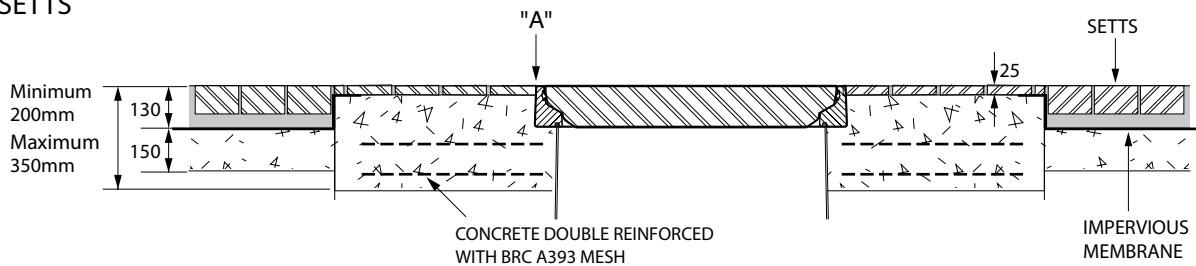
FIBRELITE 
PART OF OPW A DOVER COMPANY

TYPICAL INSTALLATION



ALTERNATIVE INSTALLATION ADVICE

SETTS



600mm square x 700mm deep offset fill chamber system with adjustable skirt, integrated spill container, 1/2 tin of sealant and FL760 flat sealed cover with composite frame. Also includes inspection port, all pipe entry fittings and penetration fitting for grounding connection. With drainback. Structural platform. Includes preinstalled UPP single-wall pipework for 2 fills.

For reference purposes only. This drawing is not a specification. Order against product code only. To enable continuous improvement of our products, the designs and specifications are subject to change without notice.

FIBRELITE
PART OF OPW A DOWER COMPANY