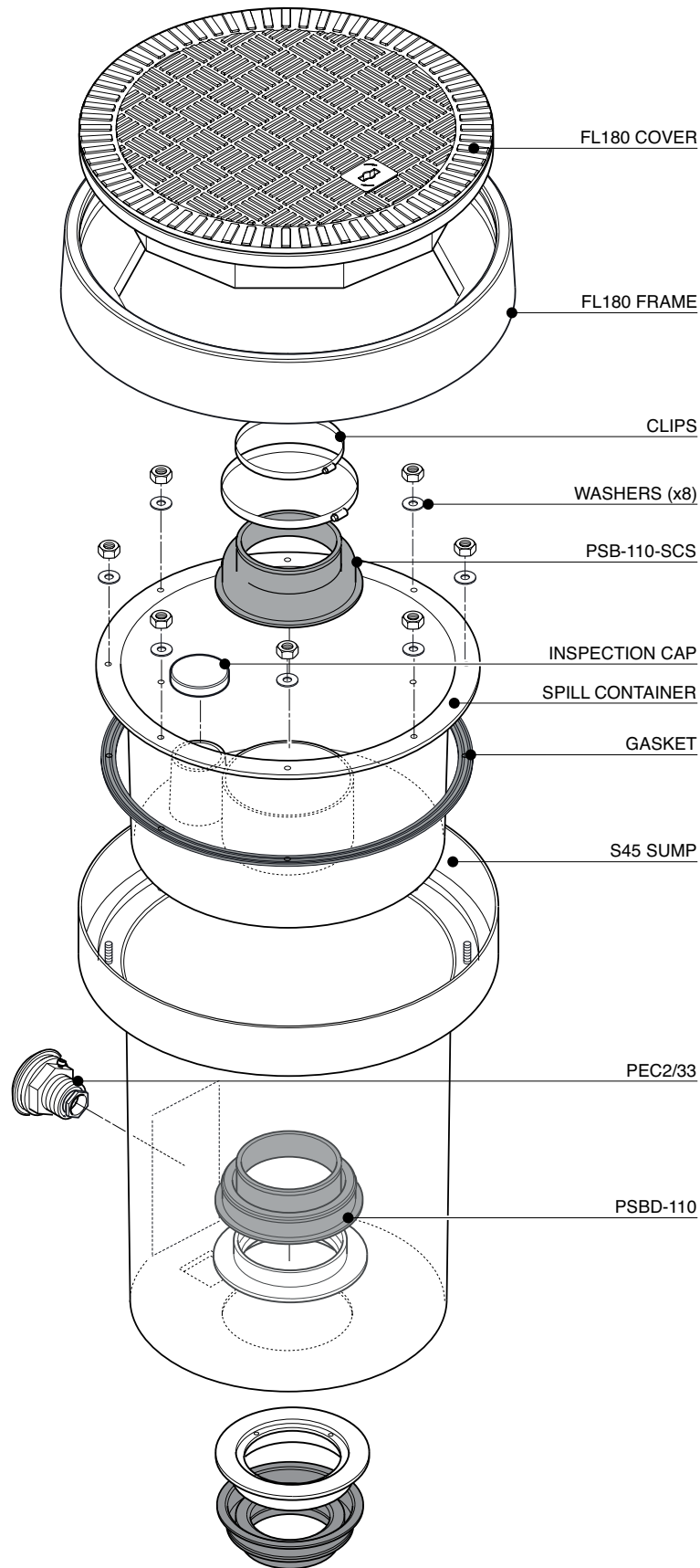


Secondary contained direct fill sump 450mm dia. by 550mm deep solid base sump with a sealed secondary spill container. 450mm dia flat sealed cover and frame. Includes a PSBD-110-SCS 110mm dia sealkit and grounding cable sealkit. Designed for a central fill. No drainback.

For reference purposes only. This drawing is not a specification. Order against product code only. To enable continuous improvement of our products, the designs and specifications are subject to change without notice.

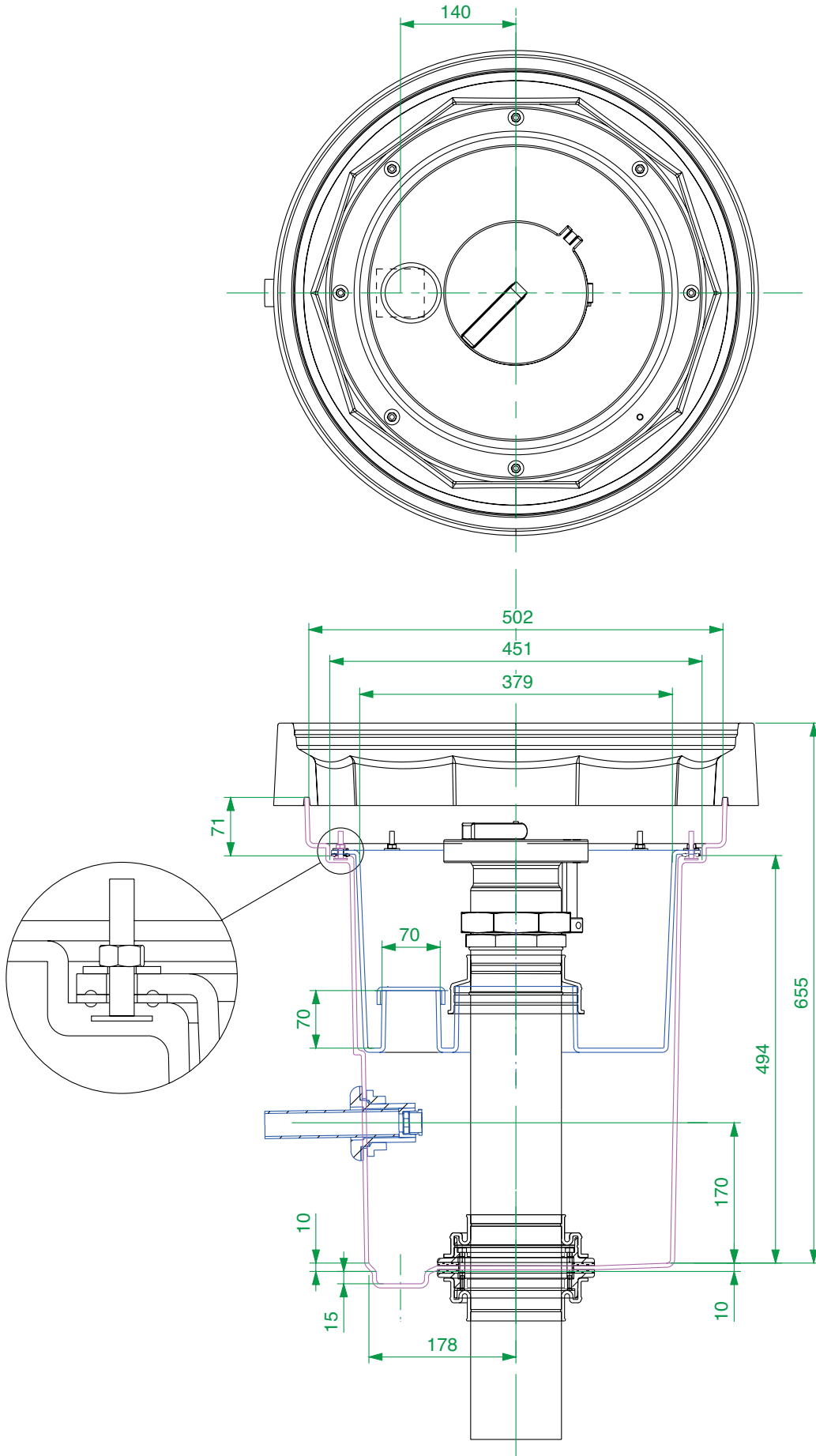
FIBRELITE 
PART OF OPW A DOVER COMPANY



Secondary contained direct fill sump 450mm dia. by 550mm deep solid base sump with a sealed secondary spill container. 450mm dia flat sealed cover and frame. Includes a PSBD-110-SCS 110mm dia sealkit and grounding cable sealkit. Designed for a central fill. No drainback.

For reference purposes only. This drawing is not a specification. Order against product code only. To enable continuous improvement of our products, the designs and specifications are subject to change without notice.

FIBRELITE 
PART OF OPW A DOVER COMPANY



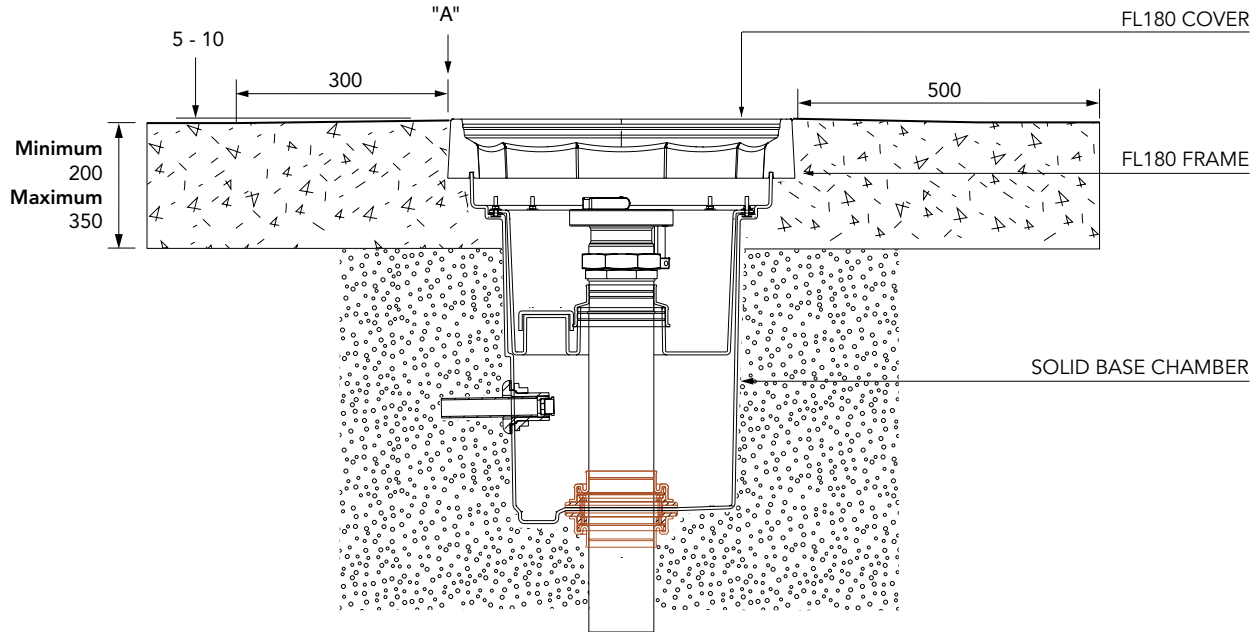
Secondary contained direct fill sump 450mm dia. by 550mm deep solid base sump with a sealed secondary spill container. 450mm dia flat sealed cover and frame. Includes a PSBD-110-SCS 110mm dia sealkit and grounding cable sealkit. Designed for a central fill. No drainback.

For reference purposes only. This drawing is not a specification. Order against product code only. To enable continuous improvement of our products, the designs and specifications are subject to change without notice.

VERY IMPORTANT
 OUTER EDGE "A" OF FRAME SET 5 - 10mm
 ABOVE GENERAL FORECOURT AREA WITH
 CONCRETE RAMPED AWAY OVER 300mm.

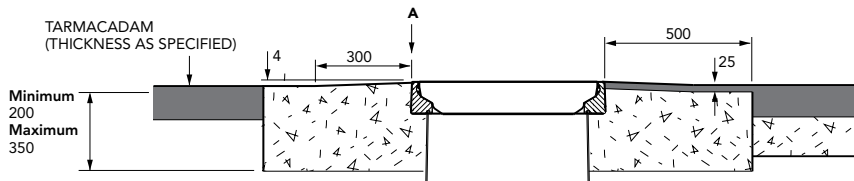
TYPICAL INSTALLATION

CONCRETE

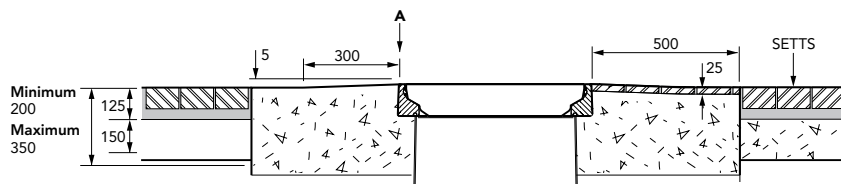


ALTERNATIVE INSTALLATION ADVICE

TARMACADAM



SETTS



Secondary contained direct fill sump 450mm dia. by 550mm deep solid base sump with a sealed secondary spill container. 450mm dia flat sealed cover and frame. Includes a PSBD-110-SCS 110mm dia sealkit and grounding cable sealkit. Designed for a central fill. No drainback.

For reference purposes only. This drawing is not a specification. Order against product code only. To enable continuous improvement of our products, the designs and specifications are subject to change without notice.

