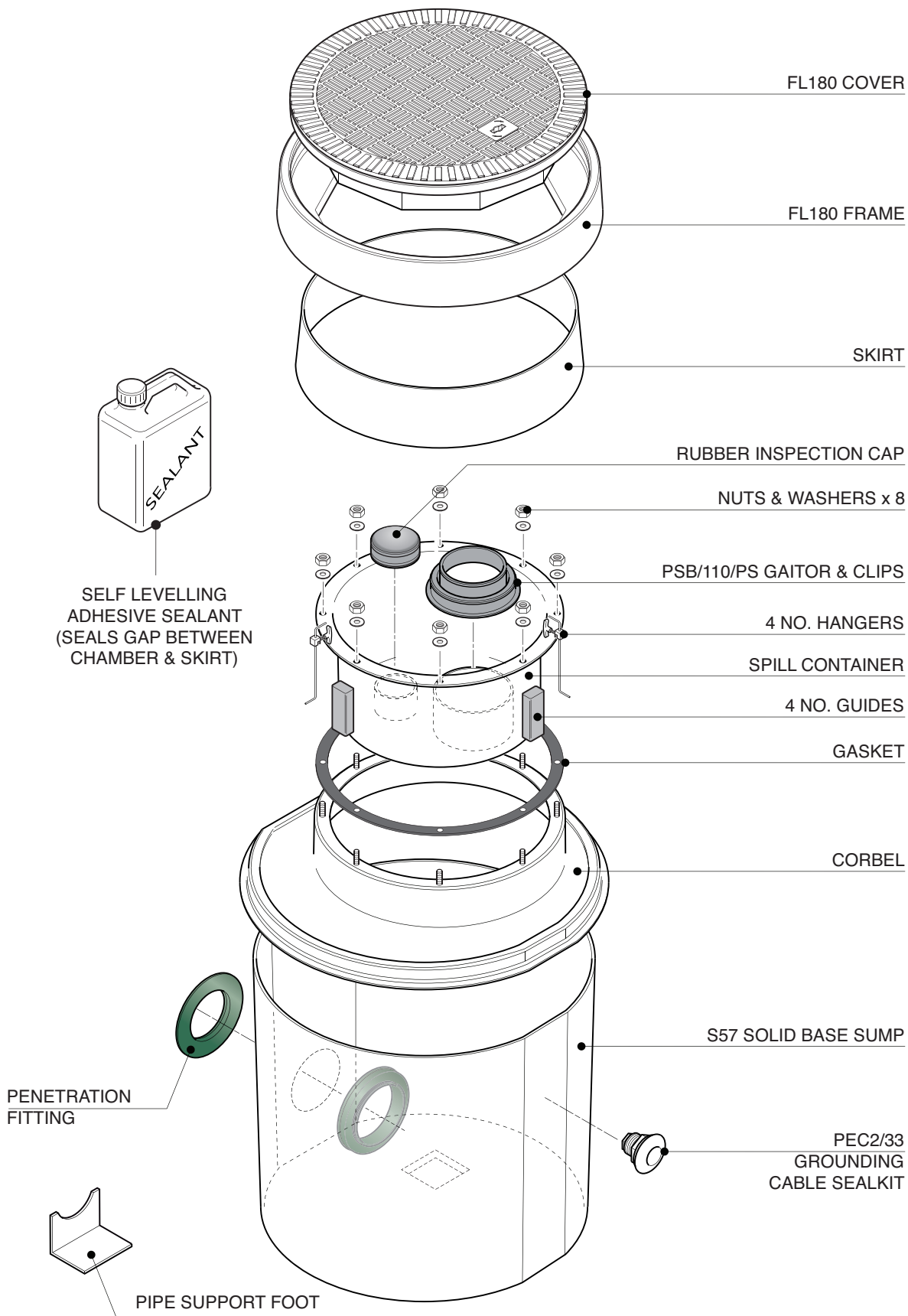


Secondary contained remote fill sump. 570mm dia. x 635mm deep solid base sump with a sealed secondary spill container. 450mm dia flat sealed cover and frame. Includes PEC2/33 grounding sealkit and pre-fitted KPS 125/110 secondary contained pipework.

For reference purposes only. This drawing is not a specification. Order against product code only. To enable continuous improvement of our products, the designs and specifications are subject to change without notice.

FIBRELITE 
PART OF OPW A DOVER COMPANY

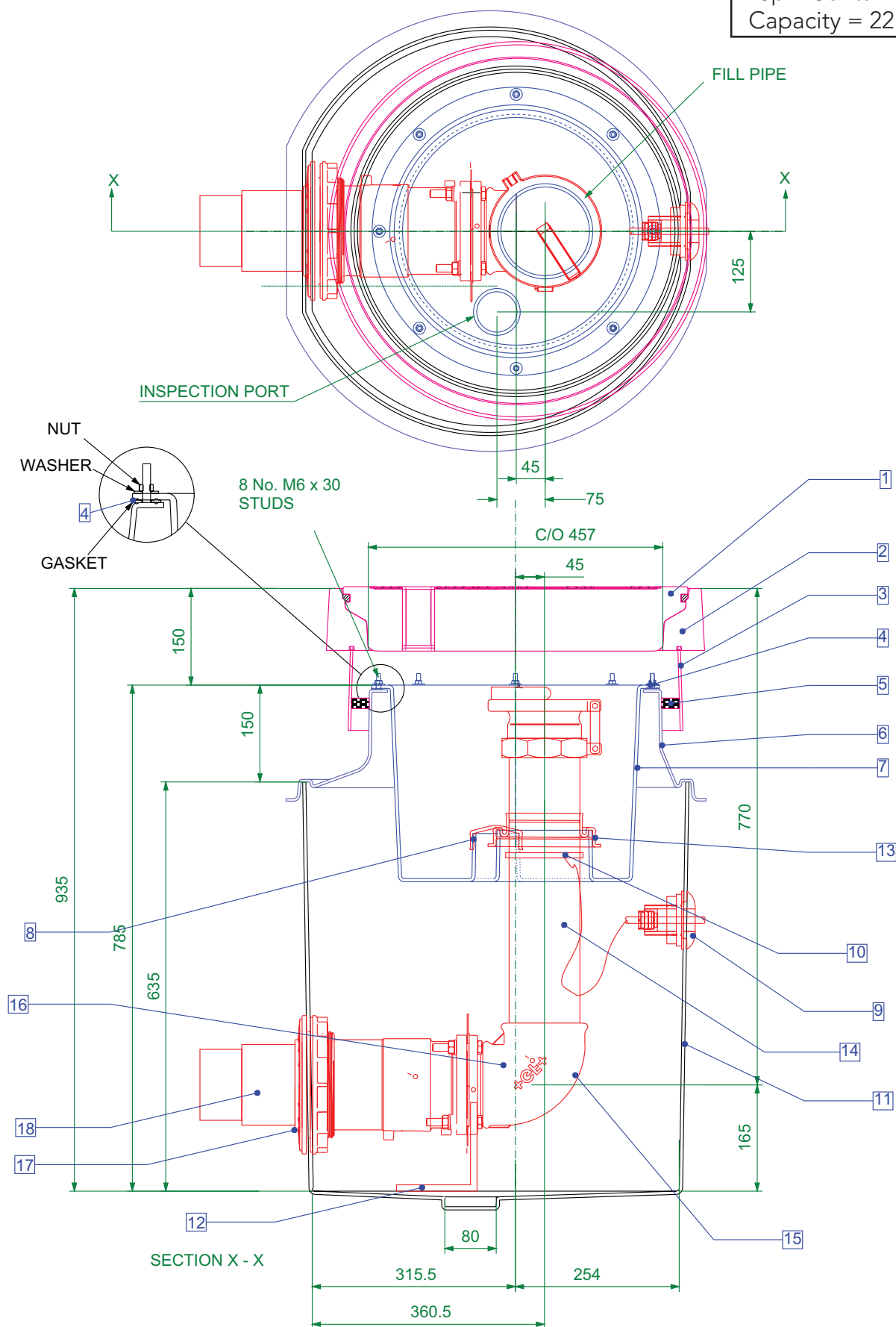


Secondary contained remote fill sump. 570mm dia. x 635mm deep solid base sump with a sealed secondary spill container. 450mm dia flat sealed cover and frame. Includes PEC2/33 grounding sealkit and pre-fitted KPS 125/110 secondary contained pipework.

For reference purposes only. This drawing is not a specification. Order against product code only. To enable continuous improvement of our products, the designs and specifications are subject to change without notice.

FIBRELITE 
PART OF OPW A DOVER COMPANY

Spill Containment
Capacity = 22 Litres



Secondary contained remote fill sump. 570mm dia. x 635mm deep solid base sump with a sealed secondary spill container. 450mm dia flat sealed cover and frame. Includes PEC2/33 grounding sealkit and pre-fitted KPS 125/110 secondary contained pipework.

For reference purposes only. This drawing is not a specification. Order against product code only. To enable continuous improvement of our products, the designs and specifications are subject to change without notice.

FIBRELITE 
PART OF OPW A DOWDER COMPANY

	ITEM	Code Number	QTY
1	Fibrelite FL 180 Cover	FL 180C	1
2	Fibrelite FL 180 Frame	FL 180F	1
3	Fibrlite 130mm Deep Skirt	FL 180/SK	1
4	Spill container Gasket	--	1
5	Fibrelite Self levelling Seal	S/CS/SEALANT	1
6	Fibrelite Corbel	--	1
7	Fibrelite Spill Container	--	1
8	Rubber Inspection Port Cap	BRS016	1
9	Fibrelite Grounding Cable Seal	PEC2 / 33	1
10	Fibrelite Grounding Cable Strap	--	1
11	Fibrelite 570mm x 635 deep Sump	S57	1
12	Fibrelite Pipe Support Foot	PSF	1
KPS PIPE			
13	Fibrelite PSB / 110 Gaiter	--	1
14	4GI Pipe / 4" Barrel Nipple	--	1
15	KP 90/100 4" Elbow	--	1
16	KPC12 110 / Flange Kit	--	1
17	KPTM125 / 110SCOI Secondary Contained Sump Entry Fitting	--	1
18	KPS 125 / 110 Secondary Container Pipe	--	1

Secondary contained remote fill sump. 570mm dia. x 635mm deep solid base sump with a sealed secondary spill container. 450mm dia flat sealed cover and frame. Includes PEC2/33 grounding sealkit and pre-fitted KPS 125/110 secondary contained pipework.

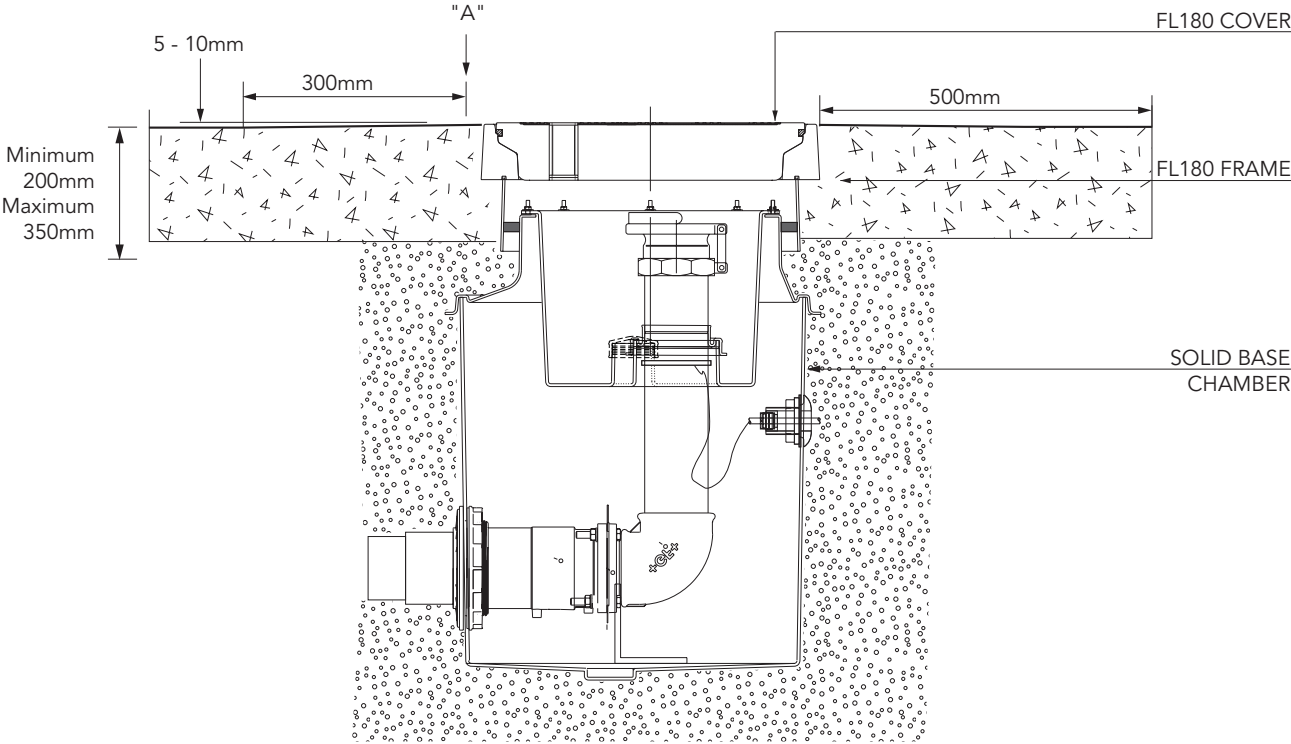
For reference purposes only. This drawing is not a specification. Order against product code only. To enable continuous improvement of our products, the designs and specifications are subject to change without notice.

FIBRELITE 
PART OF OPW A DOVER COMPANY

VERY IMPORTANT
 OUTER EDGE "A" OF FRAME SET 5 - 10MM
 ABOVE GENERAL FORECOURT AREA WITH
 CONCRETE RAMPED AWAY OVER 300MM.

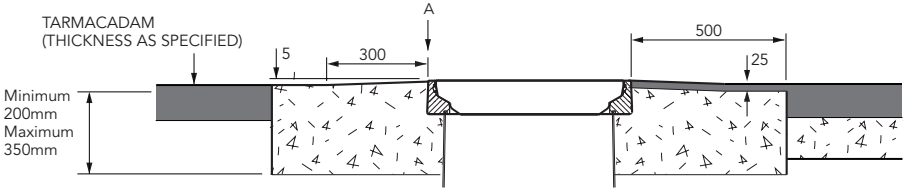
TYPICAL INSTALLATION

CONCRETE

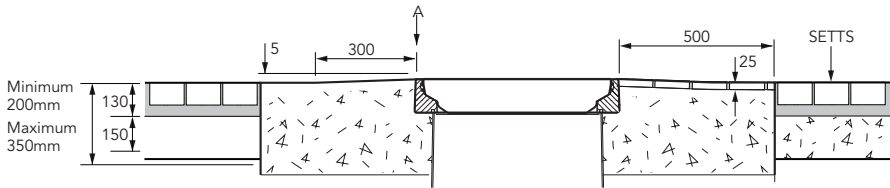


ALTERNATIVE INSTALLATION ADVICE

TARMACADAM



SETTS



Secondary contained remote fill sump. 570mm dia. x 635mm deep solid base sump with a sealed secondary spill container. 450mm dia flat sealed cover and frame. Includes PEC2/33 grounding sealkit and pre-fitted KPS 125/110 secondary contained pipework.

For reference purposes only. This drawing is not a specification. Order against product code only. To enable continuous improvement of our products, the designs and specifications are subject to change without notice.

