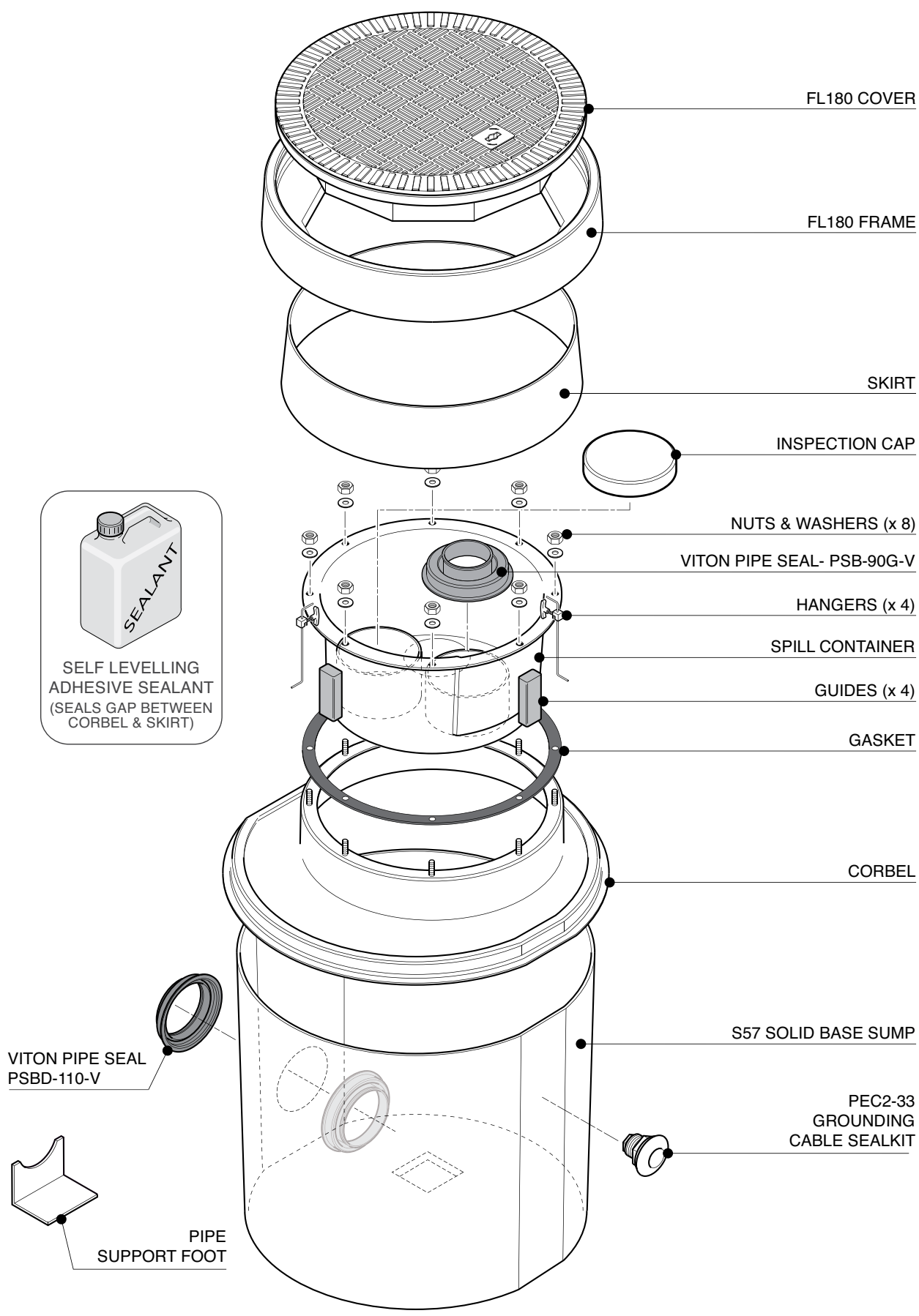


Secondary contained vapour recovery sump. 583mm dia. x 635mm deep solid base sump with a sealed secondary spill container. 450mm dia flat sealed cover and frame. Sealkits included.

For reference purposes only. This drawing is not a specification. Order against product code only. To enable continuous improvement of our products, the designs and specifications are subject to change without notice.

FIBRELITE 
PART OF OPW A DOVER COMPANY



FL180 COVER

FL180 FRAME

SKIRT

INSPECTION CAP

NUTS & WASHERS (x 8)

VITON PIPE SEAL- PSB-90G-V

HANGERS (x 4)

SPILL CONTAINER

GUIDES (x 4)

GASKET

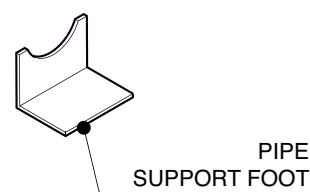
CORBEL

S57 SOLID BASE SUMP

PEC2-33
GROUNDING
CABLE SEALKIT



VITON PIPE SEAL
PSBD-110-V



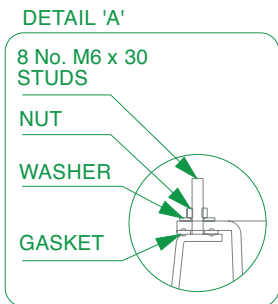
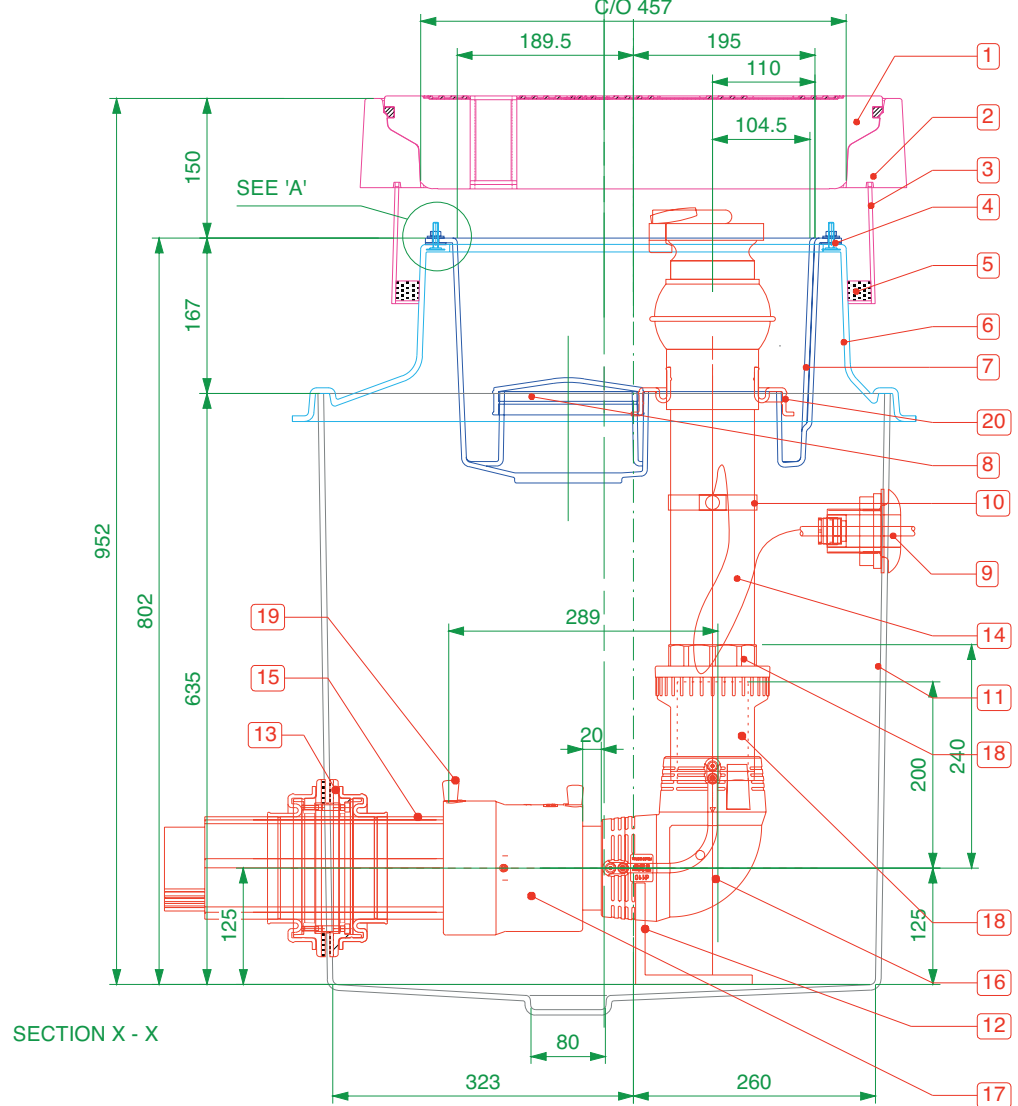
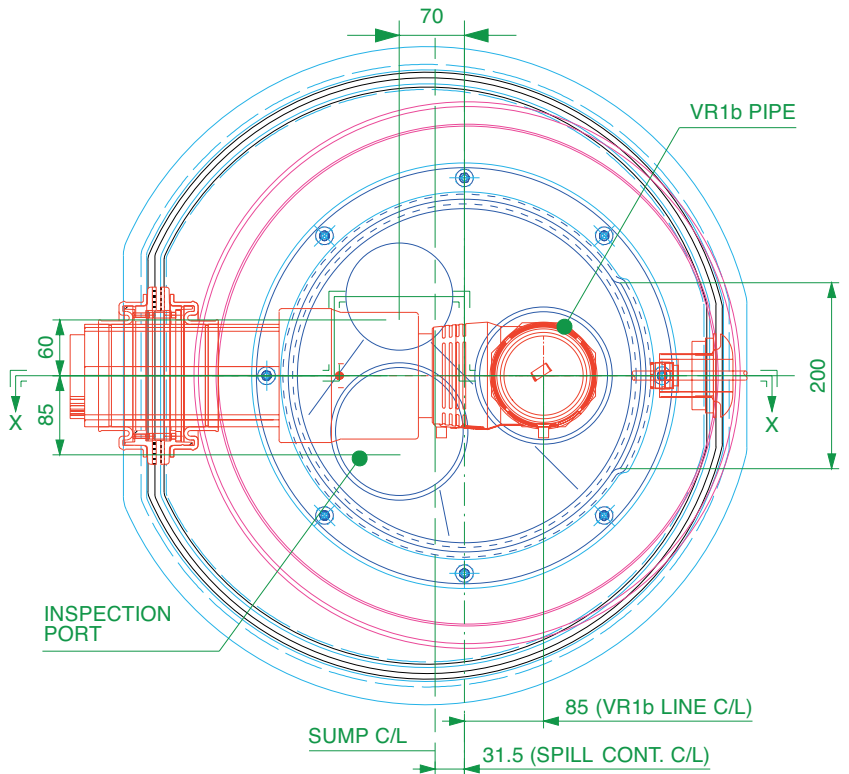
Secondary contained vapour recovery sump. 583mm dia. x 635mm deep solid base sump with a sealed secondary spill container. 450mm dia flat sealed cover and frame. Sealkits included.

For reference purposes only. This drawing is not a specification. Order against product code only. To enable continuous improvement of our products, the designs and specifications are subject to change without notice.



ITEM	DESCRIPTION	CODE	QTY
1	Fibrelite FL180 Cover	FL180	1
2	Fibrelite FL180 Frame	FL180F	1
3	Fibrelite 130mm Deep Skirt	FL180-SK130	1
4	Spill Container Gasket	--	1
5	Fibrelite Self levelling Seal	S-CS-SEALANT	1
6	Fibrelite Corbel	S57-3180-CORBEL	1
7	Fibrelite Spill Container	S57-3180-OF-SC	1
8	Fibrelite Inspection Cap	--	1
9	Fibrelite Grounding Cable Seal	PEC2-33	1
10	Fibrelite Grounding Cable Strap	--	1
11	Fibrelite 570 x 635mm deep Sump	S57	1
12	Fibrelite Pipe Support Foot	PSF-110	1

ITEM	VR1b	CODE	QTY
13	Fibrelite Viton Ø110mm Double Sided Pipe Entry Seal	PSBD-110-V	1
14	Riser Pipe 3"	001-90-XXX-E	1
15	EN Pipe - 110mm Secondary	000-110-XXX-SC-E	1
16	Primary 90° Elbow	03-090-EIF	1
17	REDUCER	49-110-090-TP	1
18	UPP Fusion Coupler 90mm	02.90	1
19	Cap, Anti-Static, 12	ESI-CAP-012	6
20	PSB-90G Viton Entry Boot	PSB-90G-V	1



Spill Containment Capacity = 22 Litres

Secondary contained vapour recovery sump. 583mm dia. x 635mm deep solid base sump with a sealed secondary spill container. 450mm dia flat sealed cover and frame. Sealkits included.

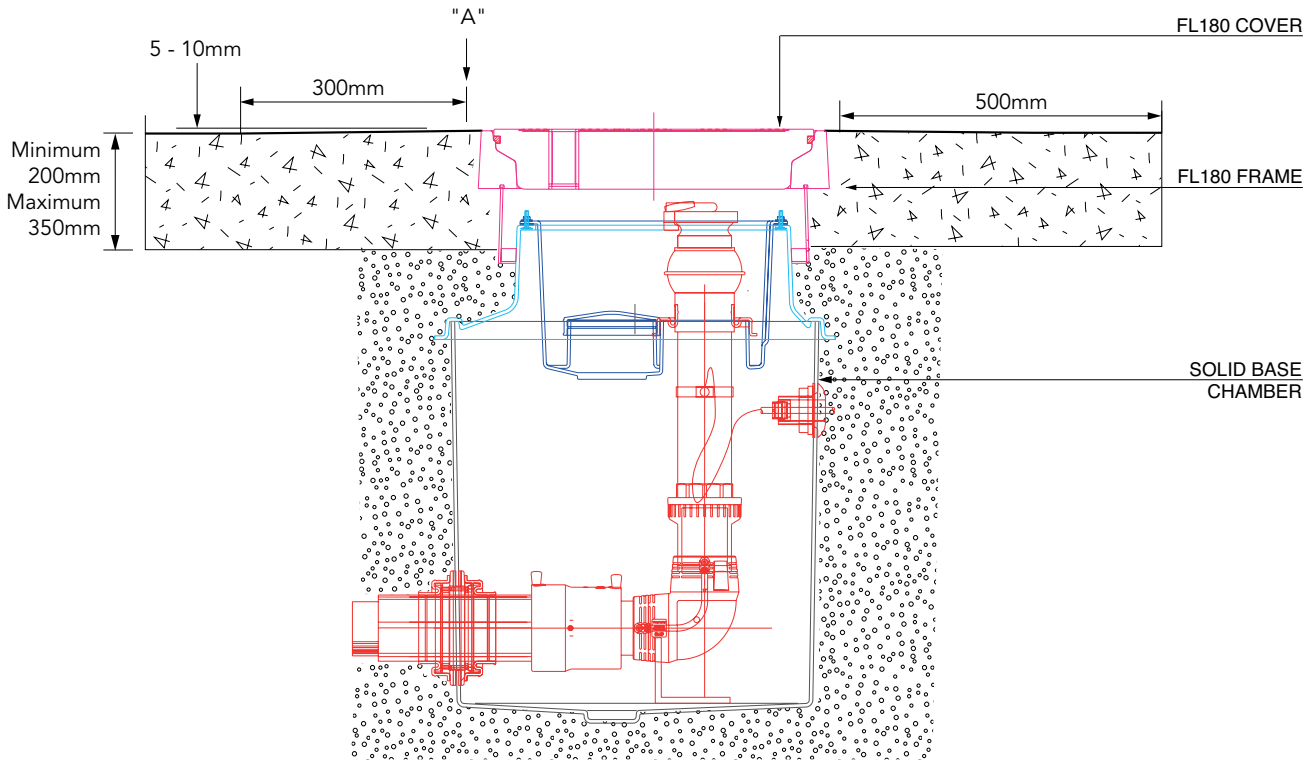
For reference purposes only. This drawing is not a specification. Order against product code only. To enable continuous improvement of our products, the designs and specifications are subject to change without notice.



VERY IMPORTANT
 OUTER EDGE "A" OF FRAME SET 5 - 10MM
 ABOVE GENERAL FORECOURT AREA WITH
 CONCRETE RAMPED AWAY OVER 300MM.

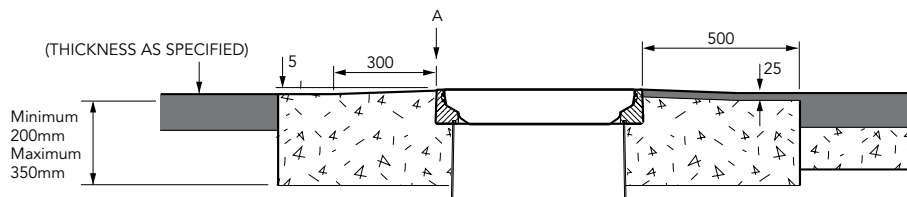
TYPICAL INSTALLATION

CONCRETE

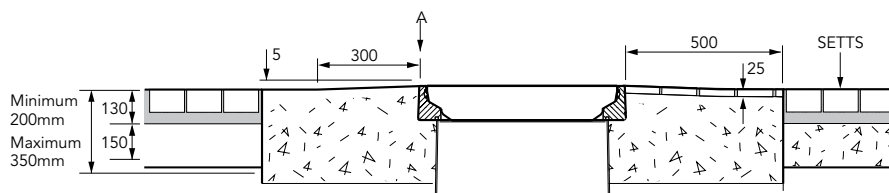


ALTERNATIVE INSTALLATION ADVICE

TARMACADAM



SETTS



Secondary contained vapour recovery sump. 583mm dia. x 635mm deep solid base sump with a sealed secondary spill container. 450mm dia flat sealed cover and frame. Sealkits included.

For reference purposes only. This drawing is not a specification. Order against product code only. To enable continuous improvement of our products, the designs and specifications are subject to change without notice.

