

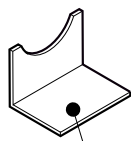
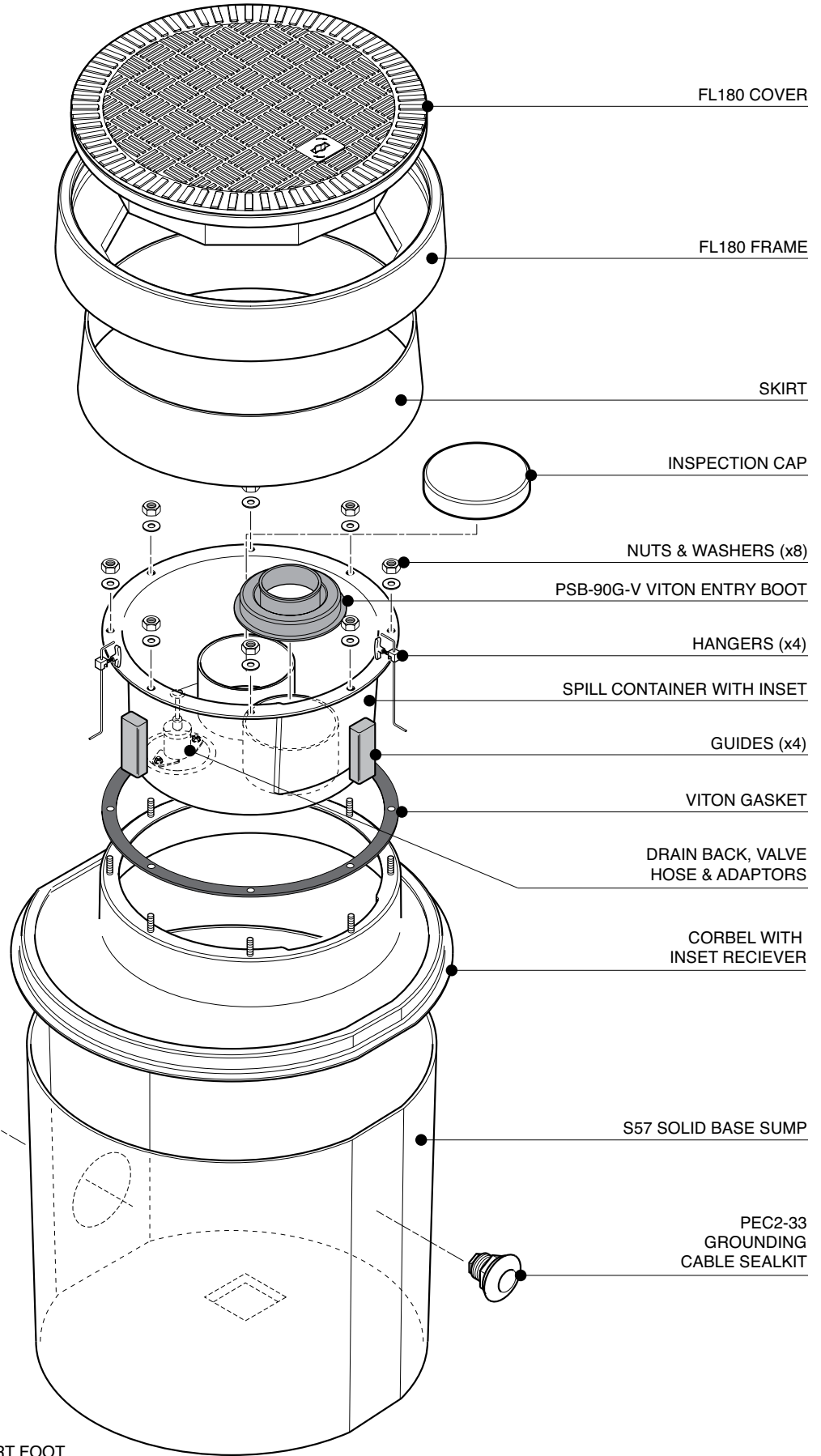
Secondary contained remote fill sump. 583mm dia. x 635mm deep solid base sump with a sealed secondary spill container and integrated drainback system. 450mm dia flat sealed cover and frame. Includes PSB-90-PS 90mm dia. spill tray fill riser sealkit and grounding cable sealkit.

For reference purposes only. This drawing is not a specification. Order against product code only. To enable continuous improvement of our products, the designs and specifications are subject to change without notice.

FIBRELITE 
PART OF OPW A DOVER COMPANY



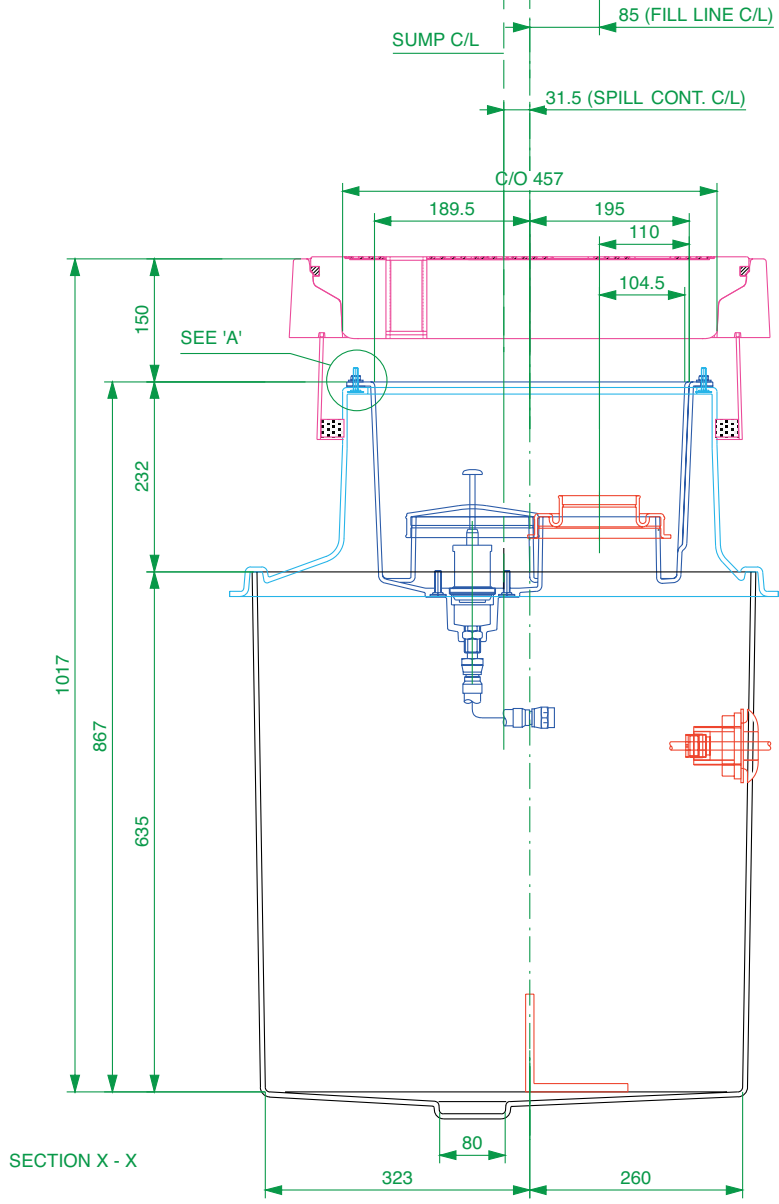
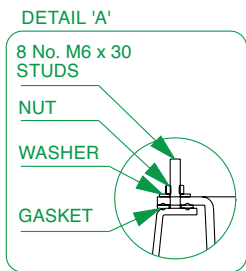
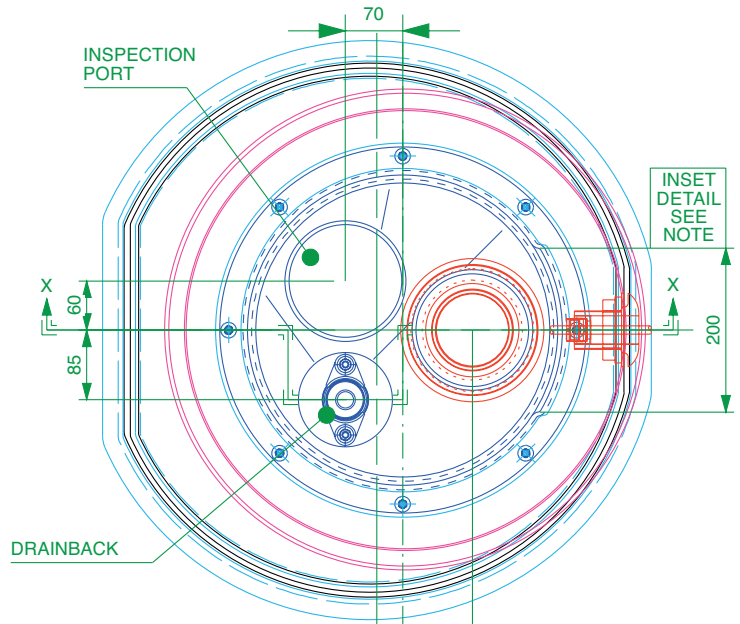
SELF LEVELLING
ADHESIVE SEALANT
(SEALS GAP BETWEEN
CORBEL & SKIRT)



PIPE SUPPORT FOOT

Secondary contained remote fill sump. 583mm dia. x 635mm deep solid base sump with a sealed secondary spill container and integrated drainback system. 450mm dia flat sealed cover and frame. Includes PSB-90-PS 90mm dia. spill tray fill riser sealkit and grounding cable sealkit.

For reference purposes only. This drawing is not a specification. Order against product code only. To enable continuous improvement of our products, the designs and specifications are subject to change without notice.

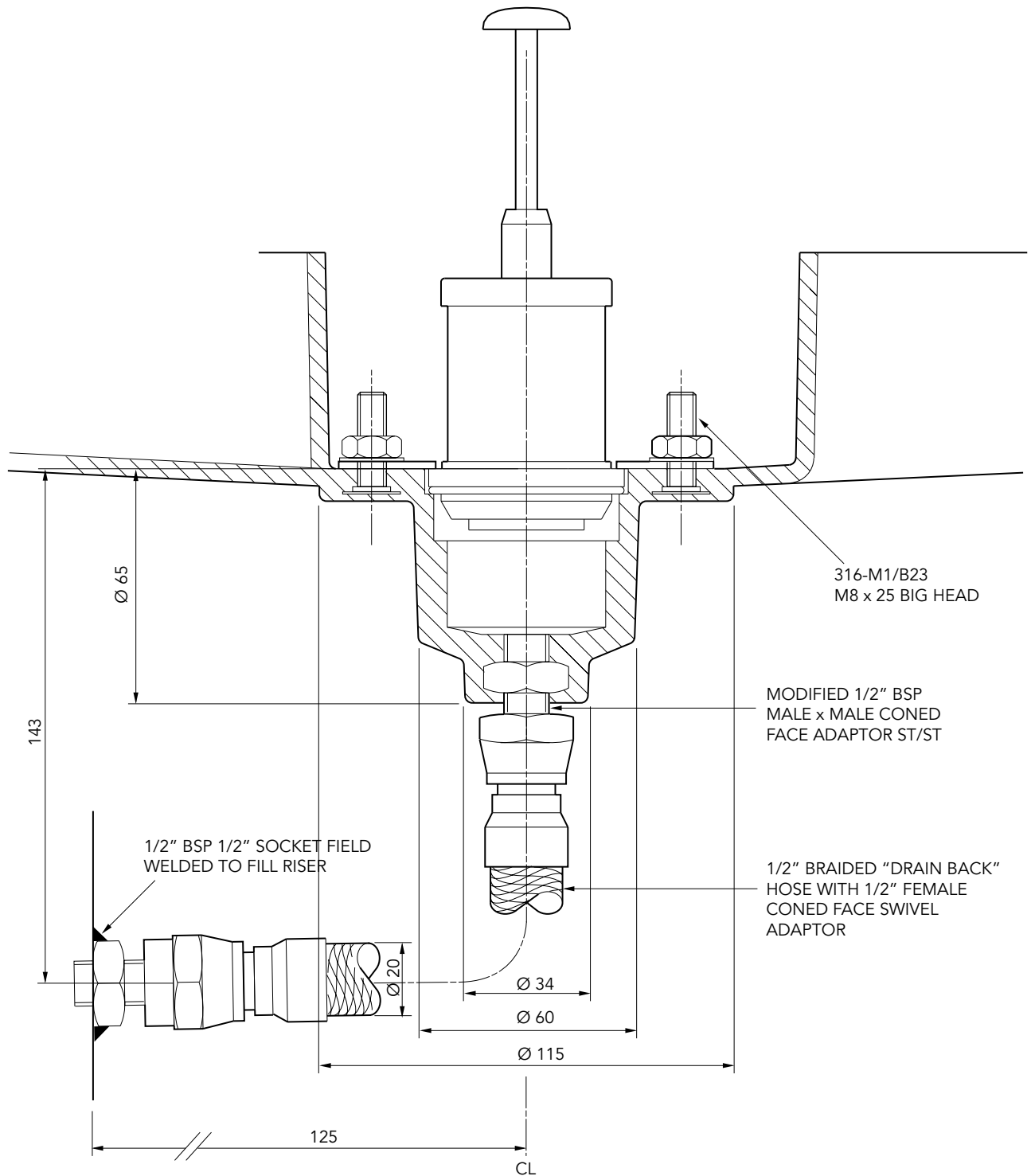


Spill Containment Capacity = 22 Litres

Secondary contained remote fill sump. 583mm dia. x 635mm deep solid base sump with a sealed secondary spill container and integrated drainback system. 450mm dia flat sealed cover and frame. Includes PSB-90-PS 90mm dia. spill tray fill riser sealkit and grounding cable sealkit.

For reference purposes only. This drawing is not a specification. Order against product code only. To enable continuous improvement of our products, the designs and specifications are subject to change without notice.





Secondary contained remote fill sump. 583mm dia. x 635mm deep solid base sump with a sealed secondary spill container and integrated drainback system. 450mm dia flat sealed cover and frame. Includes PSB-90-PS 90mm dia. spill tray fill riser sealkit and grounding cable sealkit.

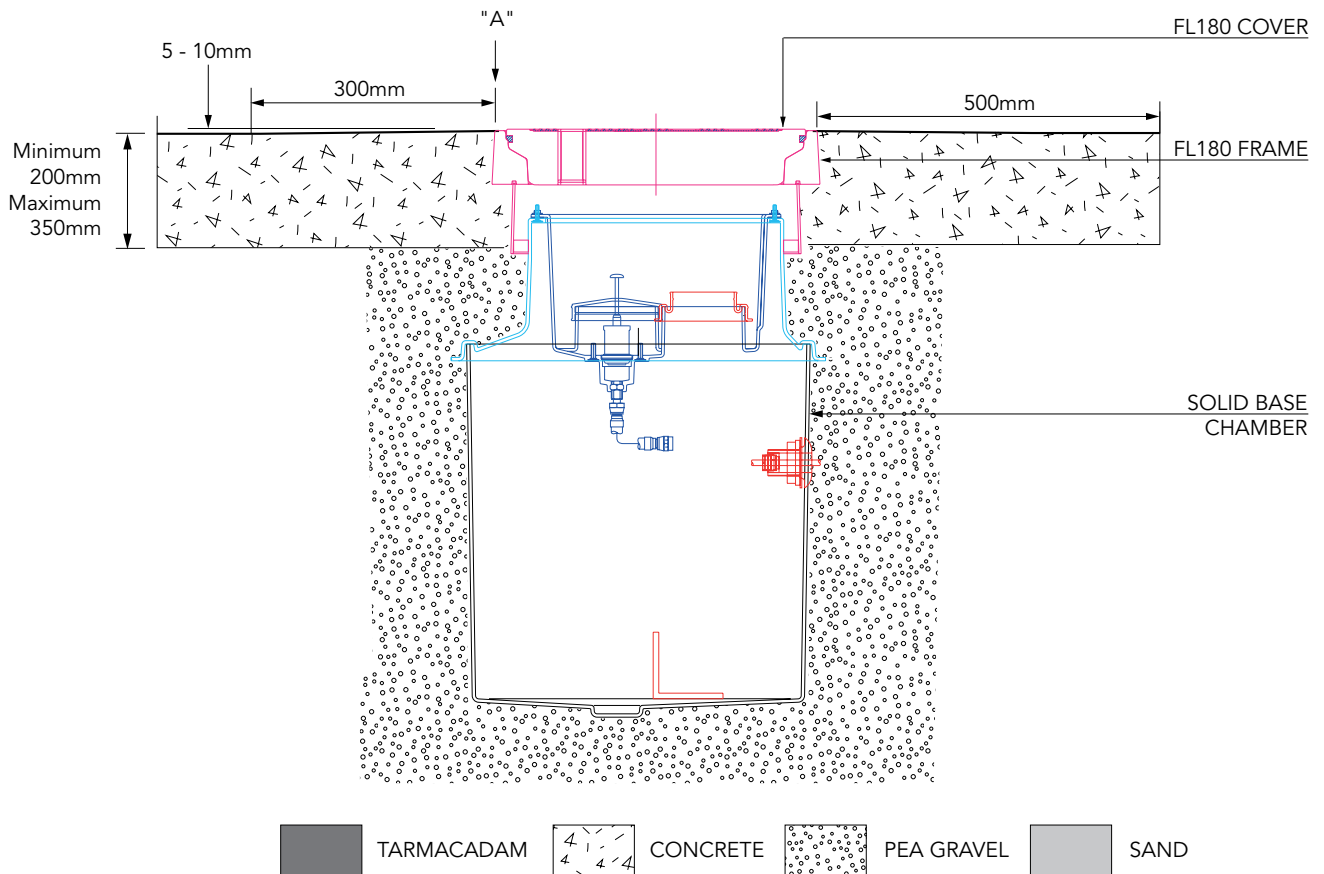
For reference purposes only. This drawing is not a specification. Order against product code only. To enable continuous improvement of our products, the designs and specifications are subject to change without notice.

FIBRELITE 
PART OF OPW A DOVER COMPANY

VERY IMPORTANT
 OUTER EDGE "A" OF FRAME SET 5 - 10MM
 ABOVE GENERAL FORECOURT AREA WITH
 CONCRETE RAMPED AWAY OVER 300MM.

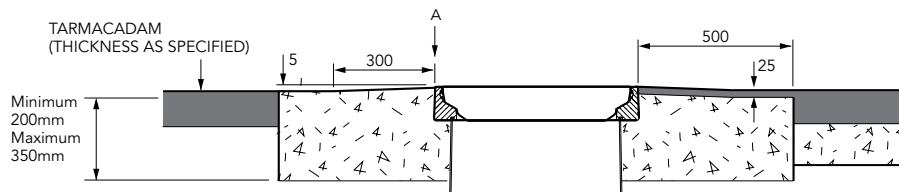
TYPICAL INSTALLATION

CONCRETE

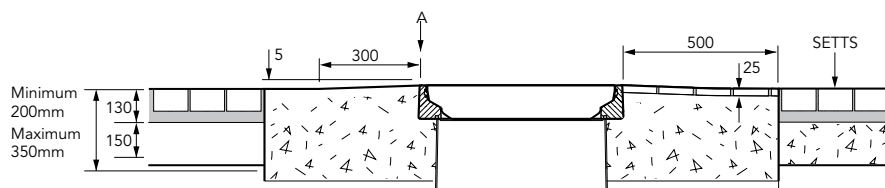


ALTERNATIVE INSTALLATION ADVICE

TARMACADAM



SETTS



Secondary contained remote fill sump. 583mm dia. x 635mm deep solid base sump with a sealed secondary spill container and integrated drainback system. 450mm dia flat sealed cover and frame. Includes PSB-90-PS 90mm dia. spill tray fill riser sealkit and grounding cable sealkit.

For reference purposes only. This drawing is not a specification. Order against product code only. To enable continuous improvement of our products, the designs and specifications are subject to change without notice.

