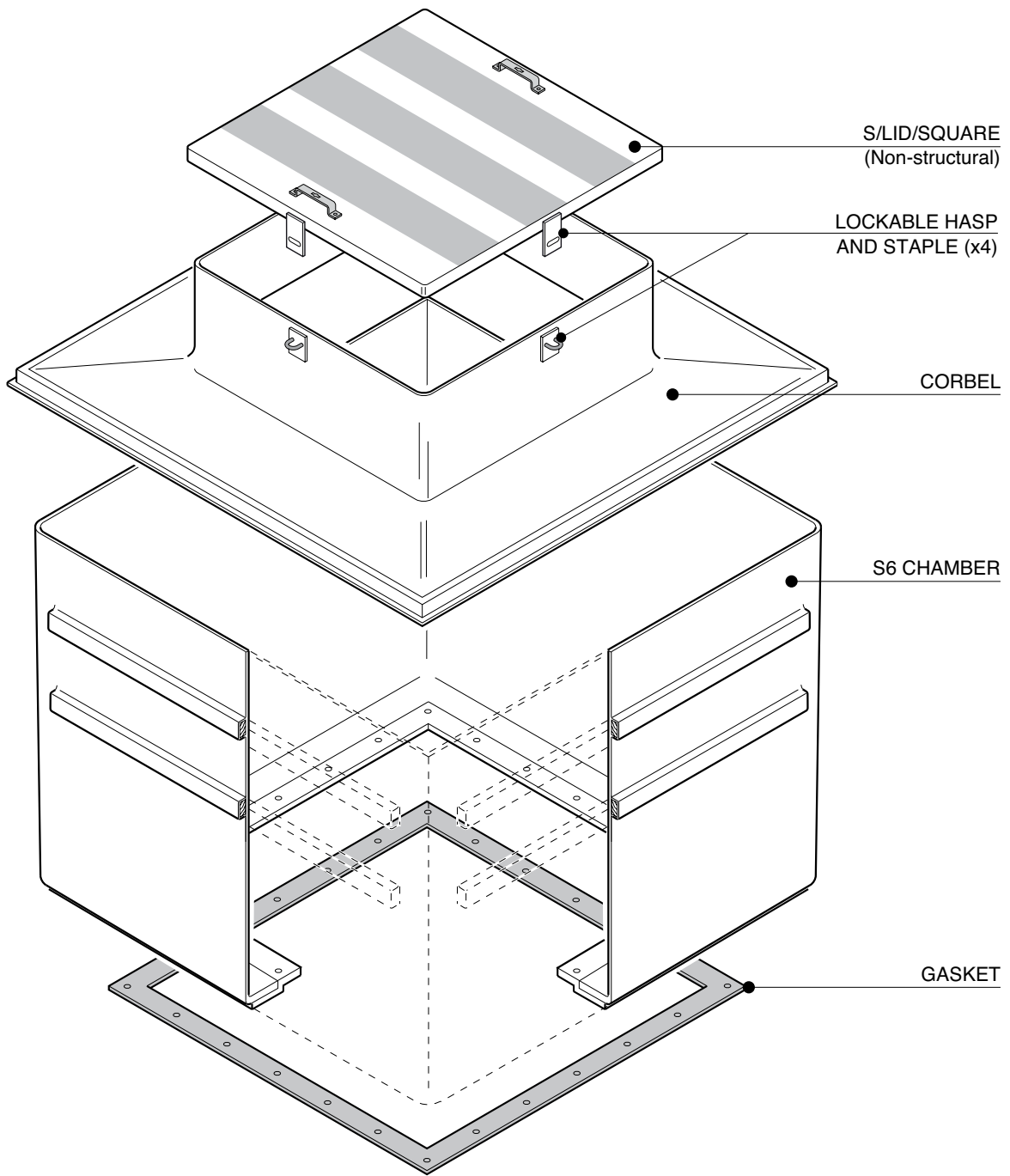


1.2m square bolted base chamber with a corbel and lockable lid for green areas.

For reference purposes only. This drawing is not a specification. Order against product code only. To enable continuous improvement of our products, the designs and specifications are subject to change without notice.

FIBRELITE 
PART OF OPW A DOVER COMPANY



S/LID/SQUARE
(Non-structural)

LOCKABLE HASP
AND STAPLE (x4)

CORBEL

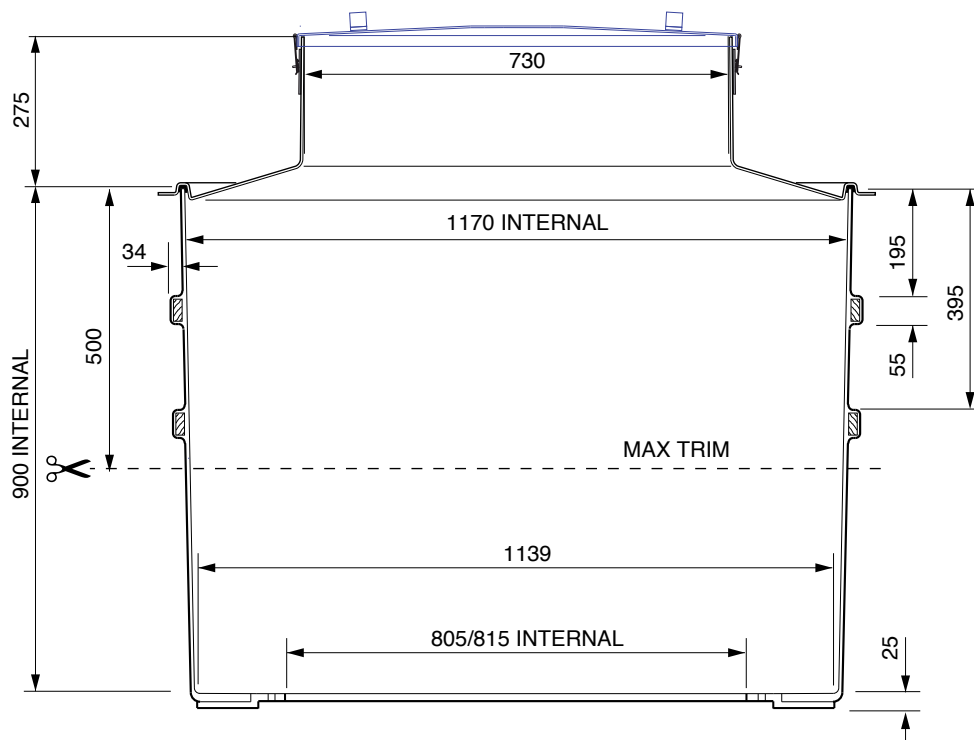
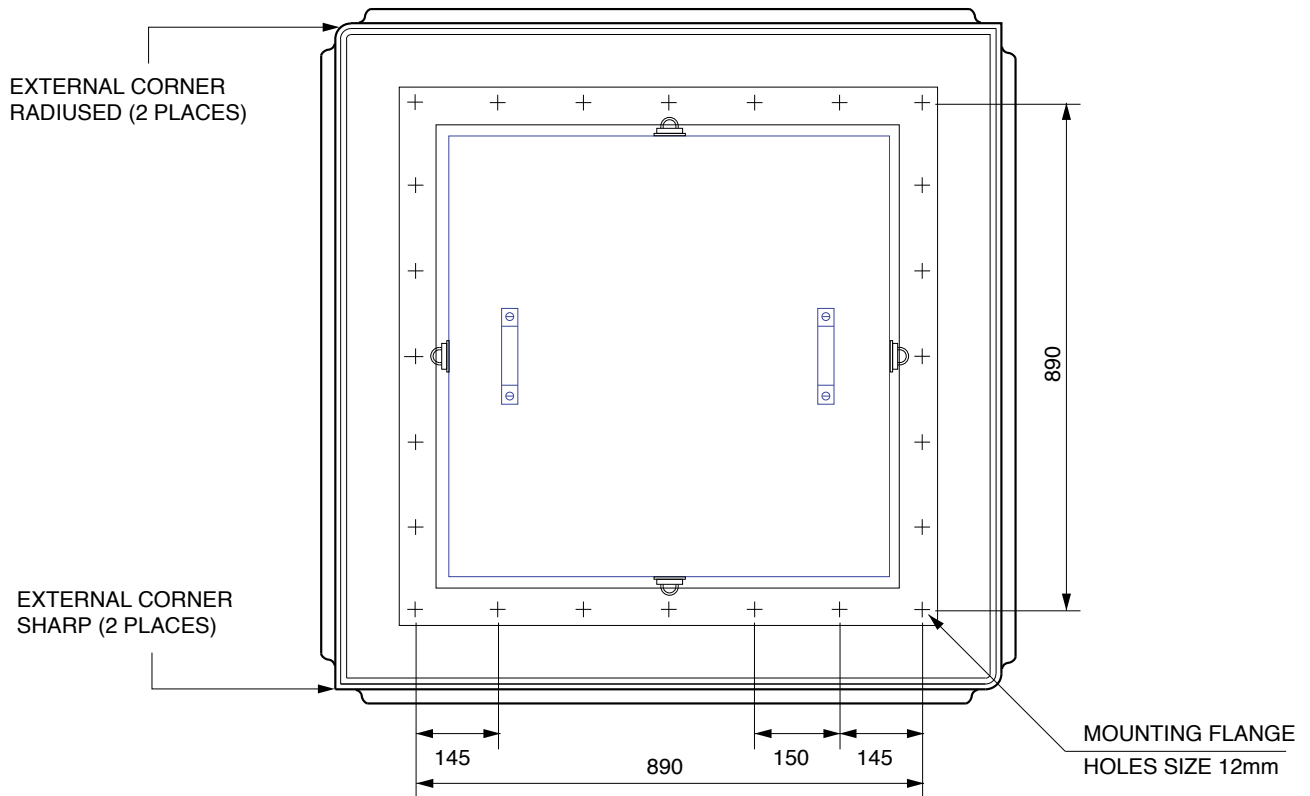
S6 CHAMBER

GASKET

1.2m square bolted base chamber with a corbel and lockable lid for green areas.

For reference purposes only. This drawing is not a specification. Order against product code only. To enable continuous improvement of our products, the designs and specifications are subject to change without notice.

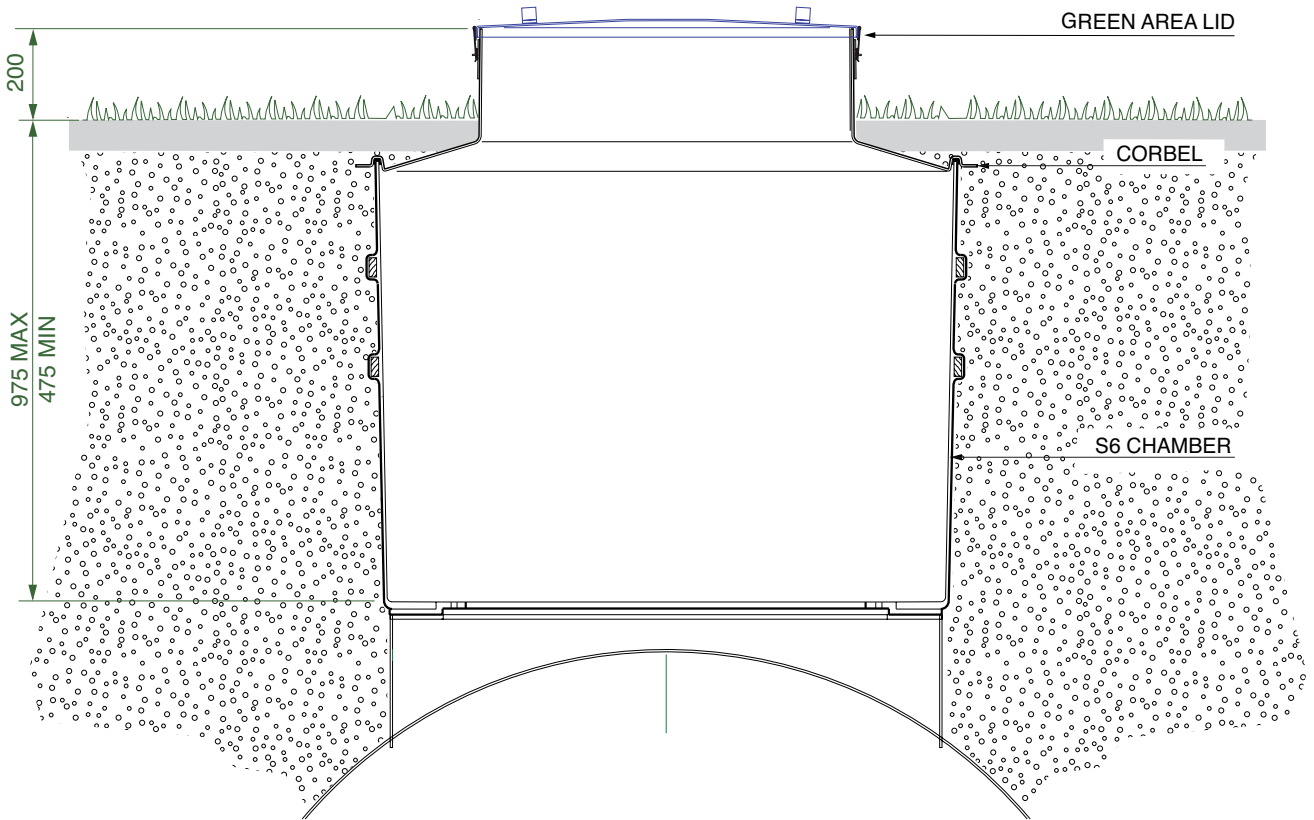
FIBRELITE 
PART OF OPW A DOVER COMPANY



1.2m square bolted base chamber with a corbel and lockable lid for green areas.

For reference purposes only. This drawing is not a specification. Order against product code only. To enable continuous improvement of our products, the designs and specifications are subject to change without notice.

FIBRELITE 
PART OF OPW A DOVER COMPANY



SOIL
 PEA GRAVEL

1.2m square bolted base chamber with a corbel and lockable lid for green areas.

For reference purposes only. This drawing is not a specification. Order against product code only. To enable continuous improvement of our products, the designs and specifications are subject to change without notice.

