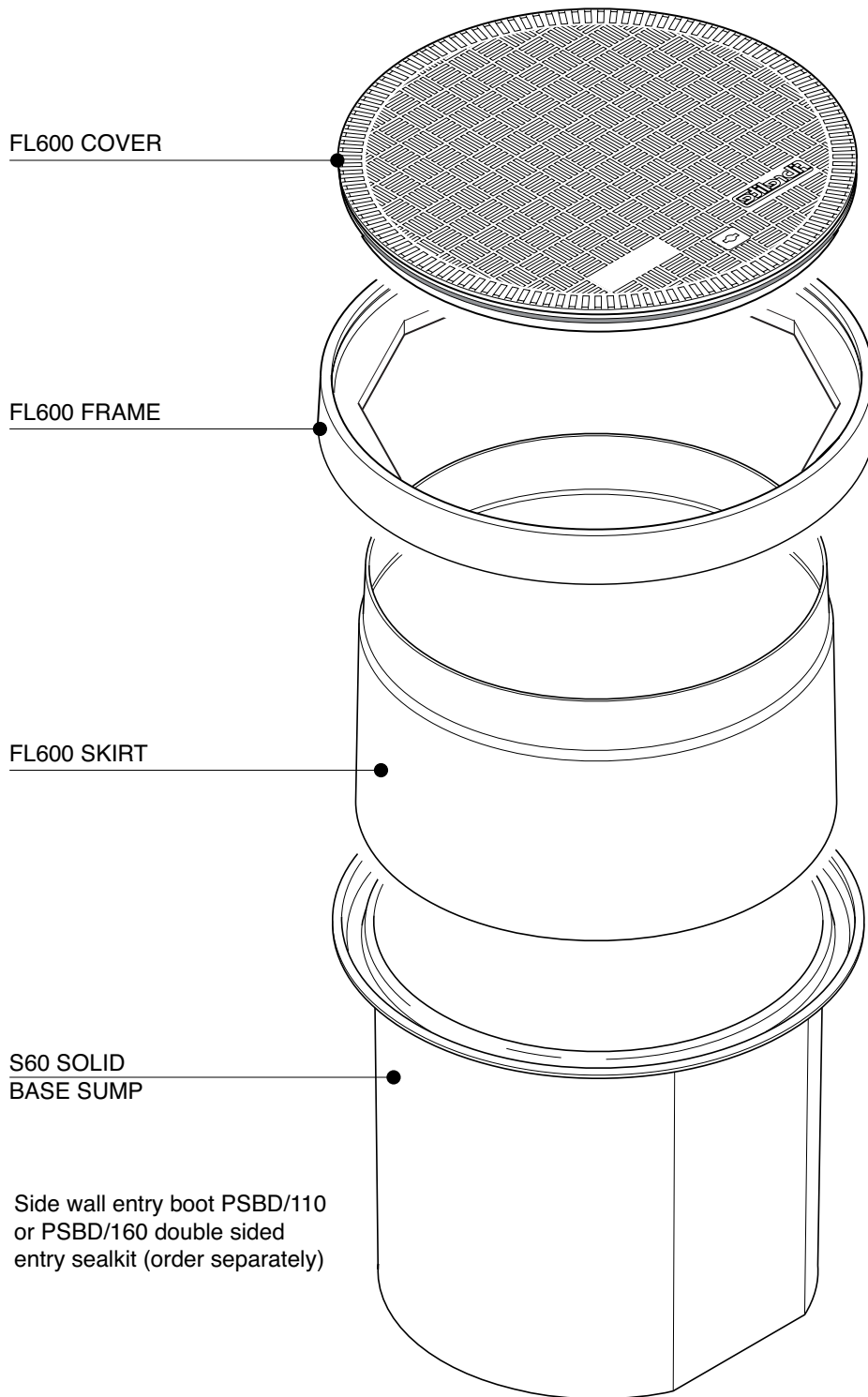


Overfill Prevention Valve Sump. 600mm dia x 600mm deep, solid base sump with an adjustable skirt, 600mm dia watertight flat sealed cover and frame. Order pipe entry kits separately

For reference purposes only. This drawing is not a specification. Order against product code only. To enable continuous improvement of our products, the designs and specifications are subject to change without notice.

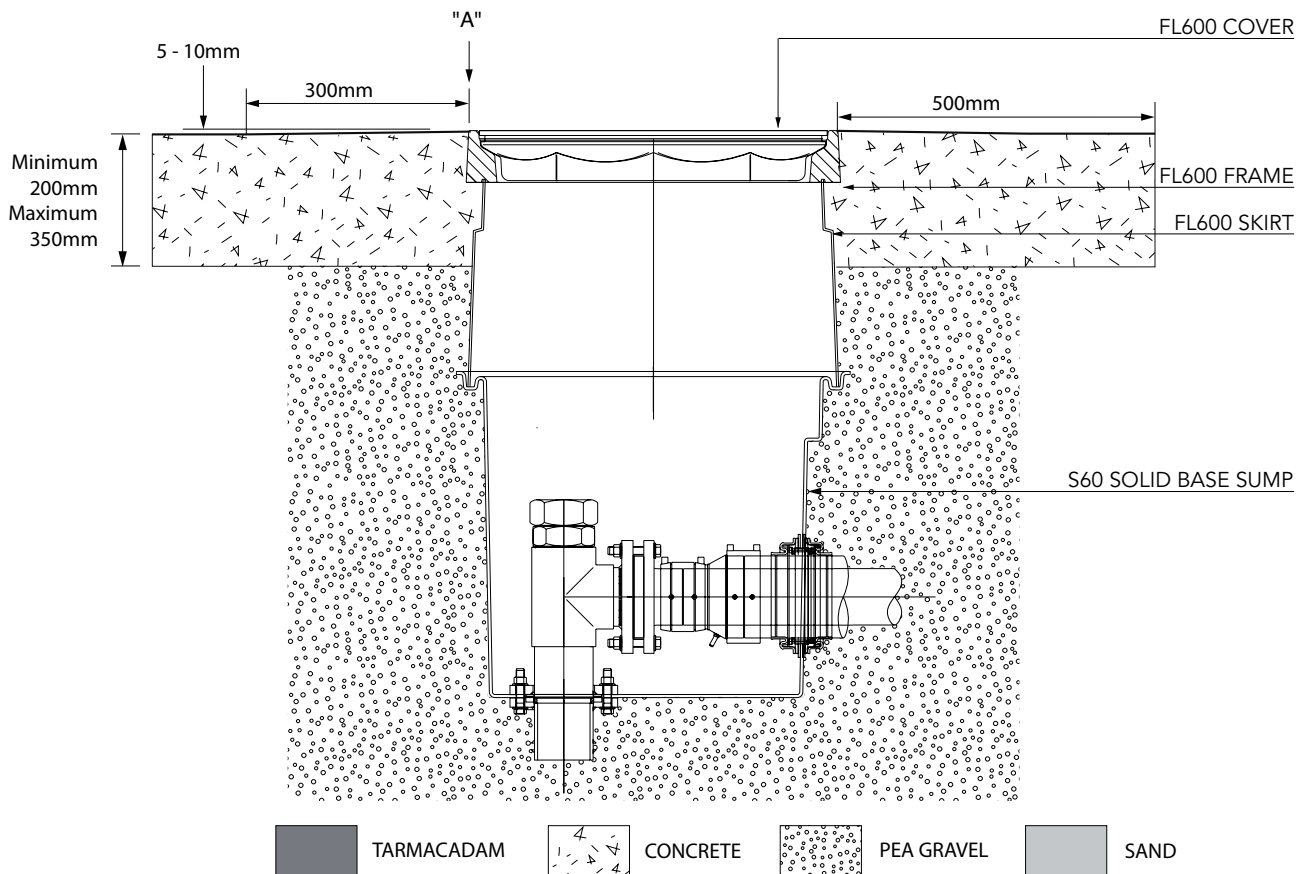
FIBRELITE 
PART OF OPW A  DOVER COMPANY



! **VERY IMPORTANT** **!**
 OUTER EDGE "A" OF FRAME SET 5 - 10MM
 ABOVE GENERAL FORECOURT AREA WITH
 CONCRETE RAMPED AWAY OVER 300MM.

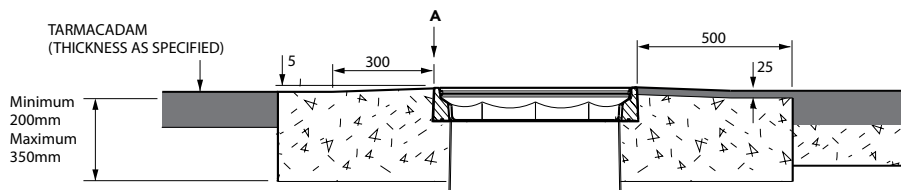
TYPICAL INSTALLATION

CONCRETE

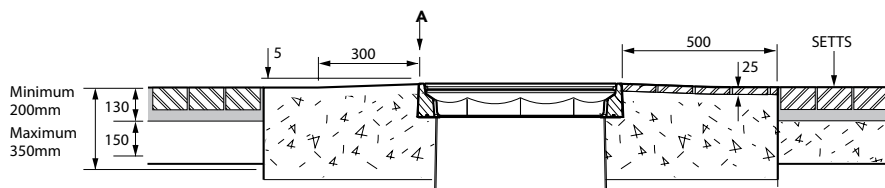


ALTERNATIVE INSTALLATION ADVICE

TARMACADAM



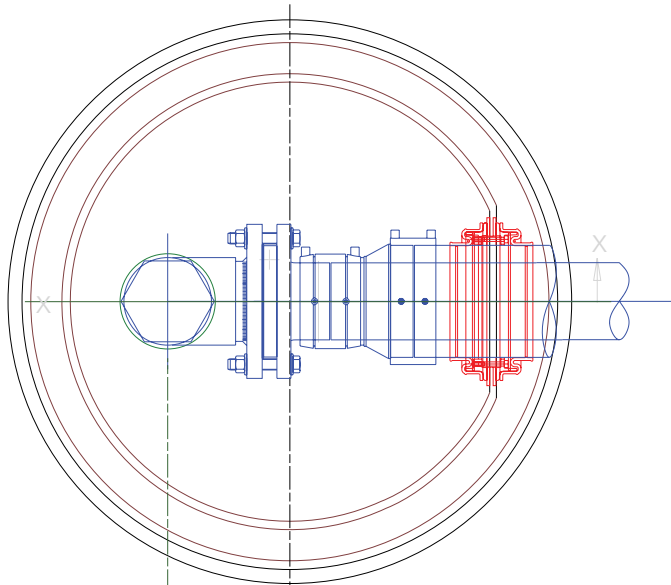
SETTS



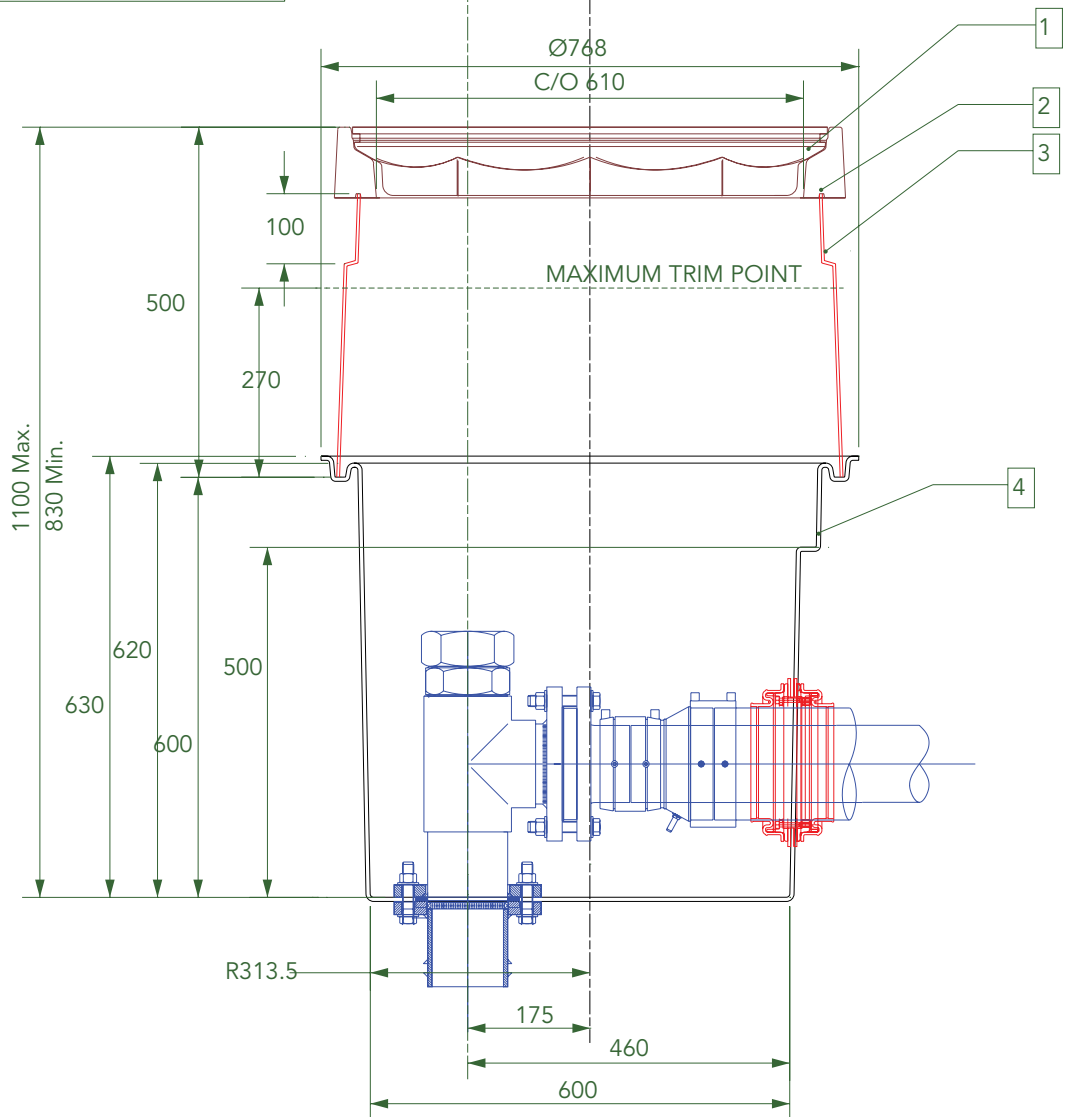
Overflow Prevention Valve Sump. 600mm dia x 600mm deep, solid base sump with an adjustable skirt, 600mm dia watertight flat sealed cover and frame. Order pipe entry kits separately

For reference purposes only. This drawing is not a specification. Order against product code only. To enable continuous improvement of our products, the designs and specifications are subject to change without notice.





ITEM		CODE
1	Fibrelite FL600 Cover	FL600
2	Fibrelite FL600 Frame	FL600
3	Fibrelite 400mm Deep skirt	FL600/SK
4	Fibrelite 600mm x 600 deep Sump	S60



Overflow Prevention Valve Sump. 600mm dia x 600mm deep, solid base sump with an adjustable skirt, 600mm dia watertight flat sealed cover and frame. Order pipe entry kits separately

For reference purposes only. This drawing is not a specification. Order against product code only. To enable continuous improvement of our products, the designs and specifications are subject to change without notice.

