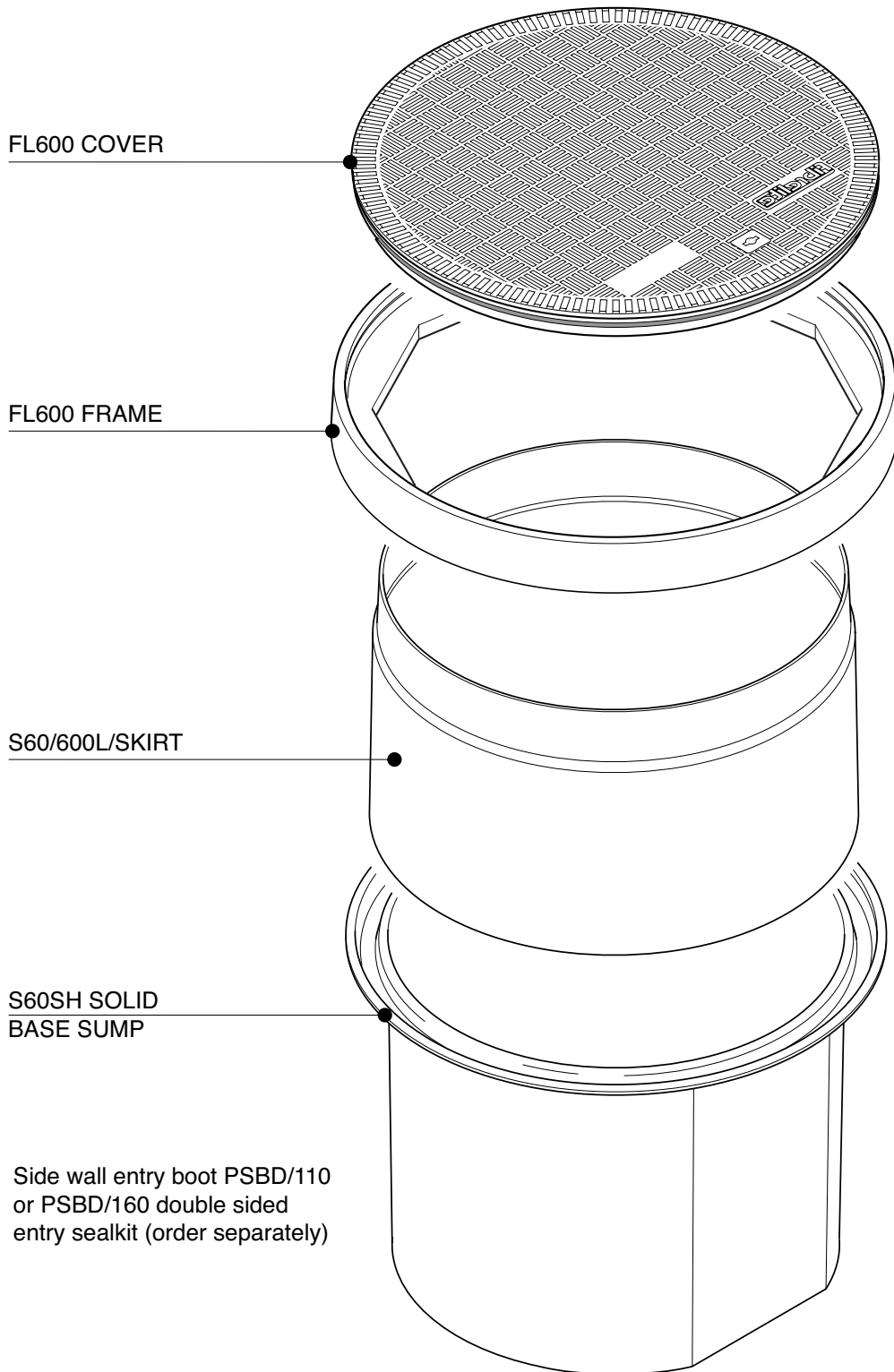


Overfill Prevention Valve Sump. 600mm dia x 400mm deep, solid base sump with an adjustable skirt, 600mm dia watertight flat sealed cover and frame. Order pipe entry kits separately.

For reference purposes only. This drawing is not a specification. Order against product code only. To enable continuous improvement of our products, the designs and specifications are subject to change without notice.

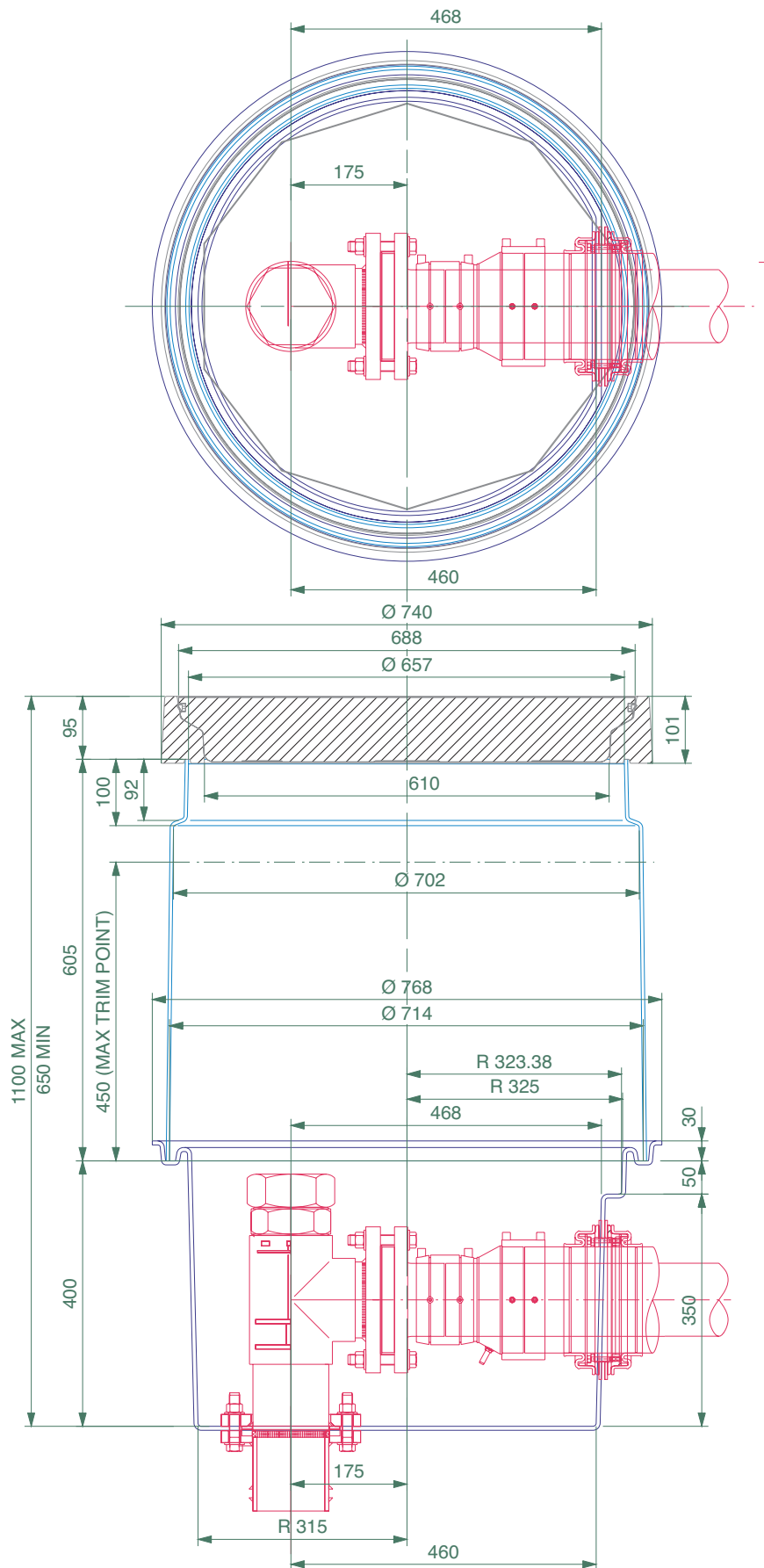
FIBRELITE 
PART OF OPW A  COMPANY



Overfill Prevention Valve Sump. 600mm dia x 400mm deep, solid base sump with an adjustable skirt, 600mm dia watertight flat sealed cover and frame. Order pipe entry kits separately.

For reference purposes only. This drawing is not a specification. Order against product code only. To enable continuous improvement of our products, the designs and specifications are subject to change without notice.

FIBRELITE 
PART OF OPW A DOVER COMPANY



Overfill Prevention Valve Sump. 600mm dia x 400mm deep, solid base sump with an adjustable skirt, 600mm dia watertight flat sealed cover and frame. Order pipe entry kits separately.

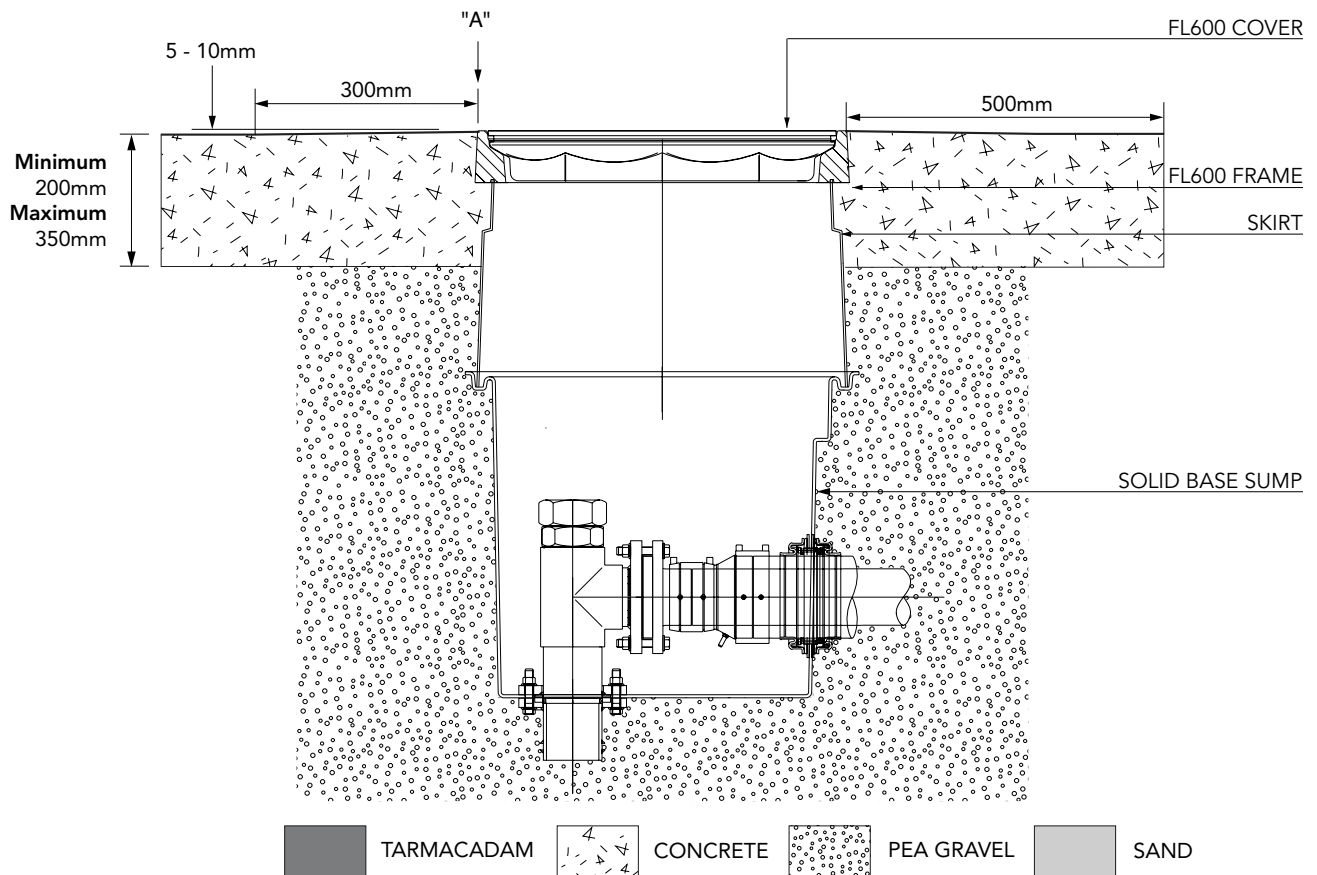
For reference purposes only. This drawing is not a specification. Order against product code only. To enable continuous improvement of our products, the designs and specifications are subject to change without notice.

FIBRELITE 
PART OF OPW A DOVER COMPANY

VERY IMPORTANT
 OUTER EDGE "A" OF FRAME SET 5 - 10MM
 ABOVE GENERAL FORECOURT AREA WITH
 CONCRETE RAMPED AWAY OVER 300MM.

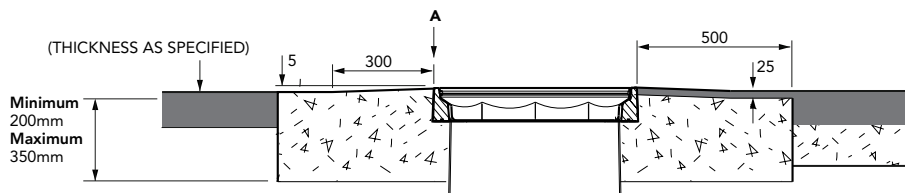
TYPICAL INSTALLATION

CONCRETE

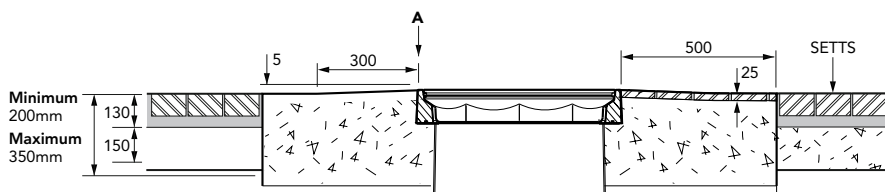


ALTERNATIVE INSTALLATION ADVICE

TARMACADAM



SETTS



Overflow Prevention Valve Sump. 600mm dia x 400mm deep, solid base sump with an adjustable skirt, 600mm dia watertight flat sealed cover and frame. Order pipe entry kits separately.

For reference purposes only. This drawing is not a specification. Order against product code only. To enable continuous improvement of our products, the designs and specifications are subject to change without notice.

FIBRELITE 
 PART OF OPW A DOVER COMPANY