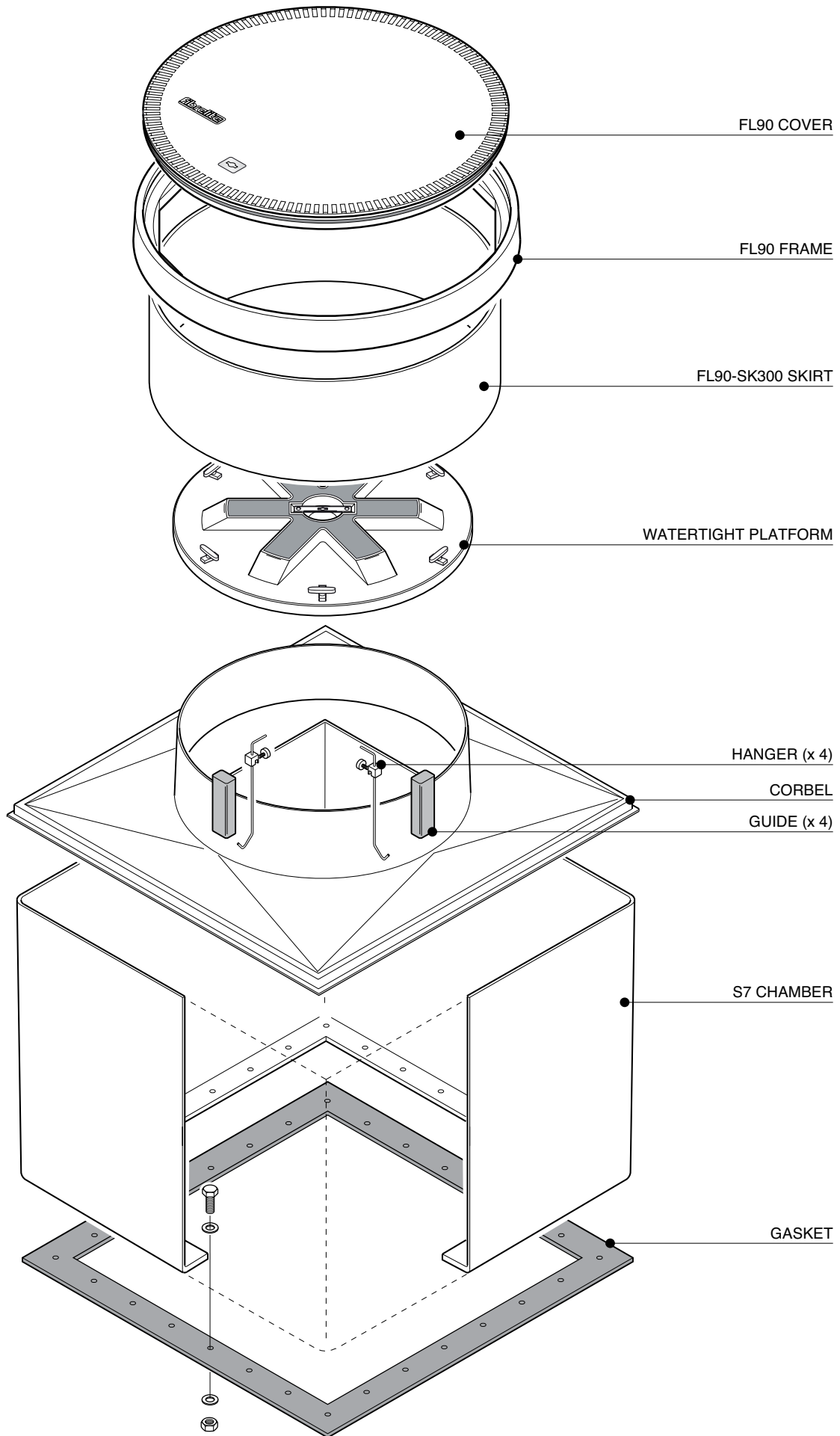


1.2m square base chamber with a sealed corbel, adjustable skirt, internal watertight platform and round 900mm flat sealed cover. 1.2m<sup>2</sup> tank flange detail

For reference purposes only. This drawing is not a specification. Order against product code only. To enable continuous improvement of our products, the designs and specifications are subject to change without notice.

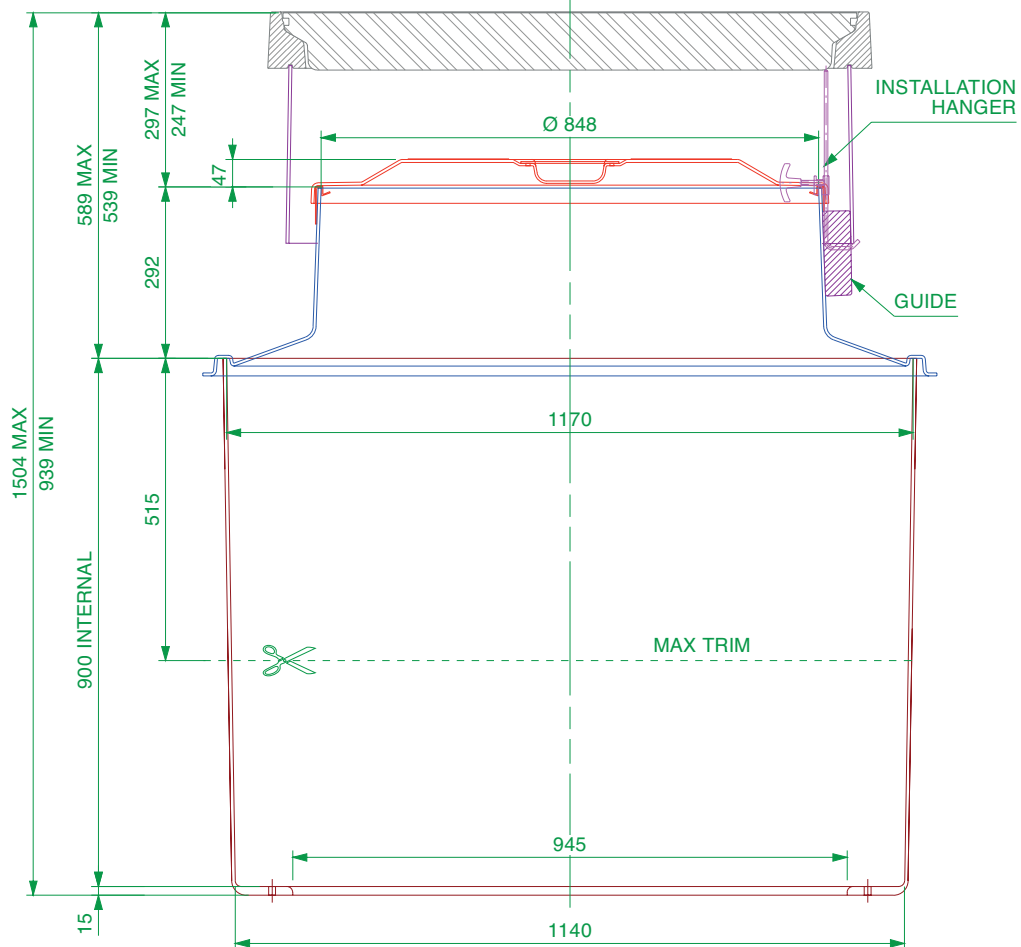
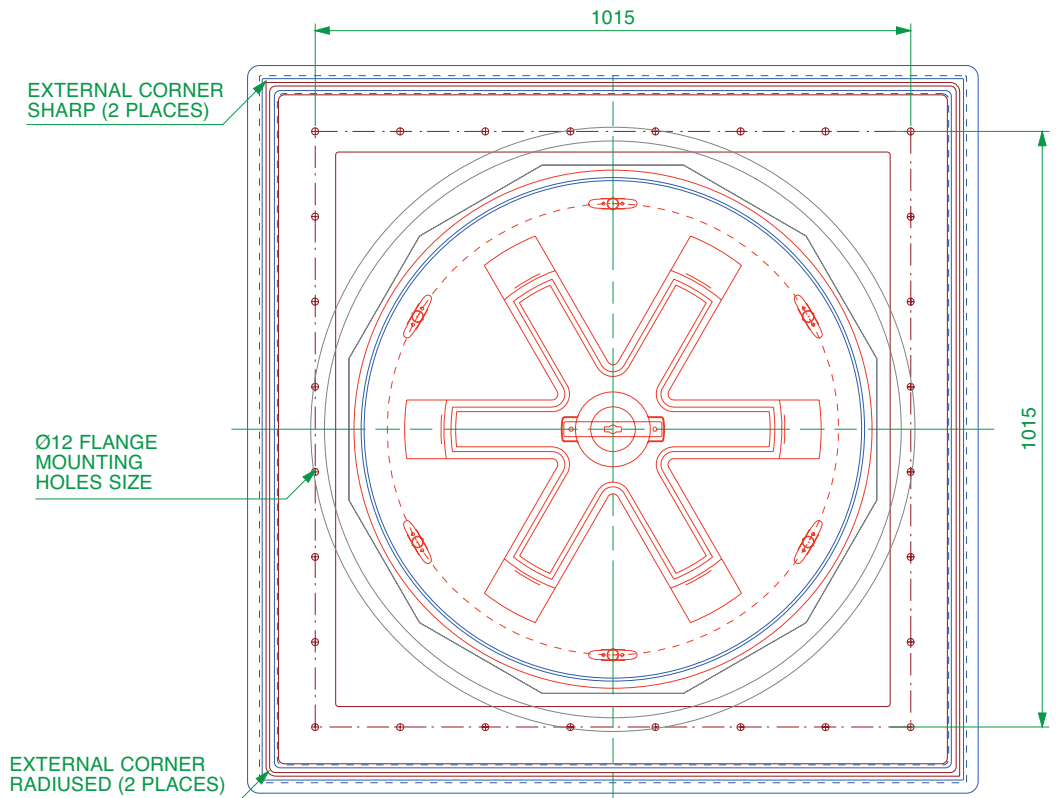
**FIBRELITE**   
PART OF OPW A DOVER COMPANY



1.2m square base chamber with a sealed corbel, adjustable skirt, internal watertight platform and round 900mm flat sealed cover. 1.2m<sup>2</sup> tank flange detail

For reference purposes only. This drawing is not a specification. Order against product code only. To enable continuous improvement of our products, the designs and specifications are subject to change without notice.





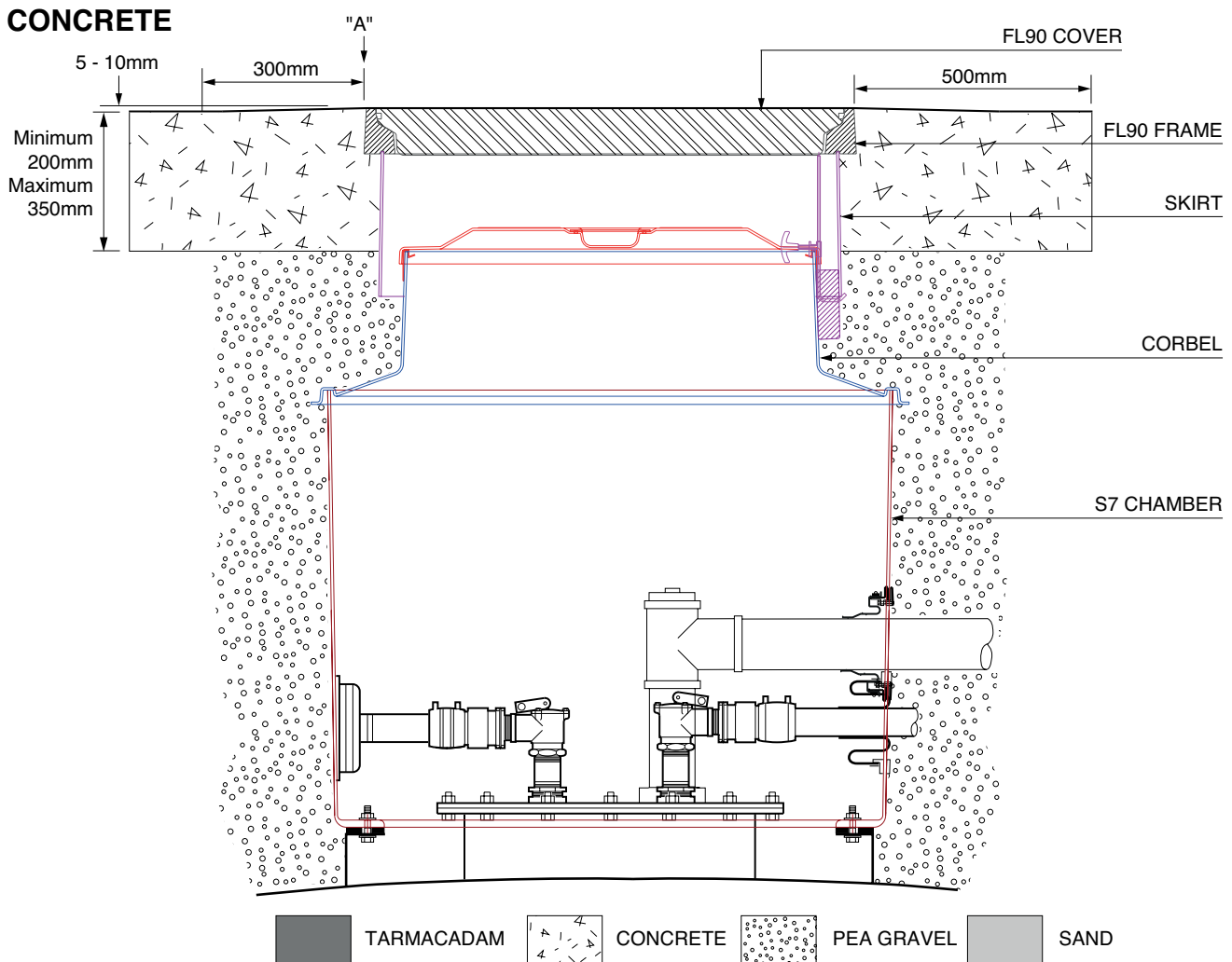
1.2m square base chamber with a sealed corbel, adjustable skirt, internal watertight platform and round 900mm flat sealed cover. 1.2m<sup>2</sup> tank flange detail

For reference purposes only. This drawing is not a specification. Order against product code only. To enable continuous improvement of our products, the designs and specifications are subject to change without notice.

**FIBRELITE**   
PART OF OPW A DOWER COMPANY

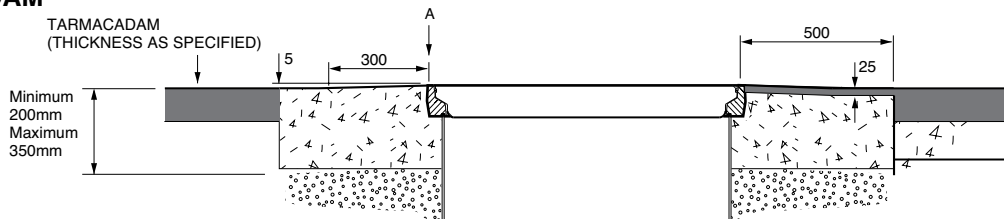
**! VERY IMPORTANT !**  
 OUTER EDGE "A" OF FRAME SET 5 - 10MM  
 ABOVE GENERAL FORECOURT AREA WITH  
 CONCRETE RAMPED AWAY OVER 300MM. ●

**TYPICAL INSTALLATION**

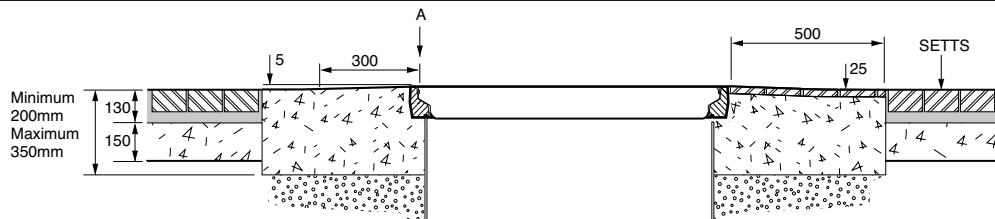


**ALTERNATIVE INSTALLATION ADVICE**

**TARMACADAM**



**SETTS**



1.2m square base chamber with a sealed corbel, adjustable skirt, internal watertight platform and round 900mm flat sealed cover. 1.2m<sup>2</sup> tank flange detail

For reference purposes only. This drawing is not a specification. Order against product code only. To enable continuous improvement of our products, the designs and specifications are subject to change without notice.

**FIBRELITE**   
 PART OF OPW A DOWER COMPANY