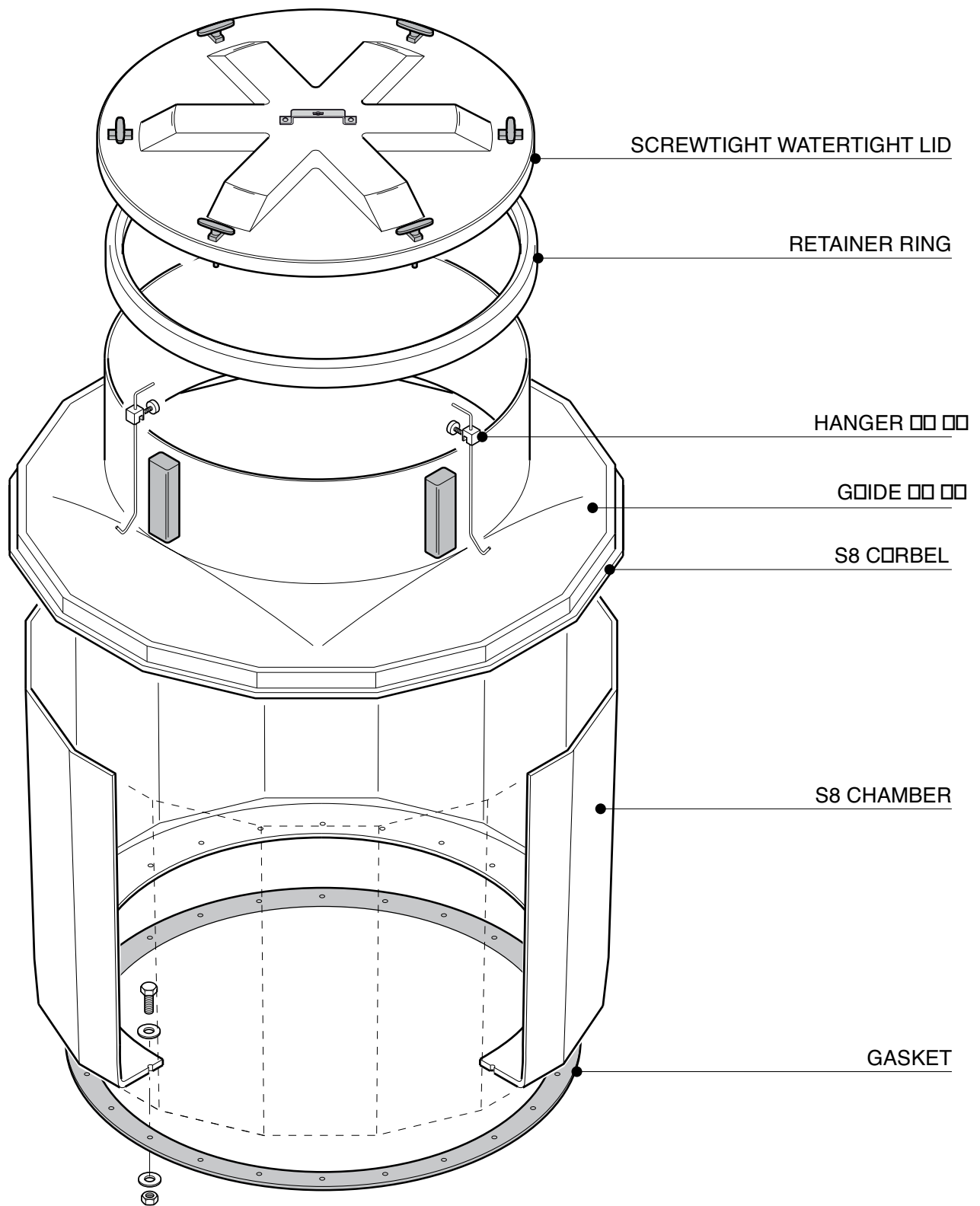


1.2m diameter sump, corbel and screwtight watertight lid.

For reference purposes only. This drawing is not a specification. Order against product code only. To enable continuous improvement of our products, the designs and specifications are subject to change without notice.

**FIBRELITE**   
PART OF OPW A DOVER COMPANY



SCREWTIGHT WATERTIGHT LID

RETAINER RING

HANGER □ □ □ □

GUIDE □ □ □ □

S8 CORBEL

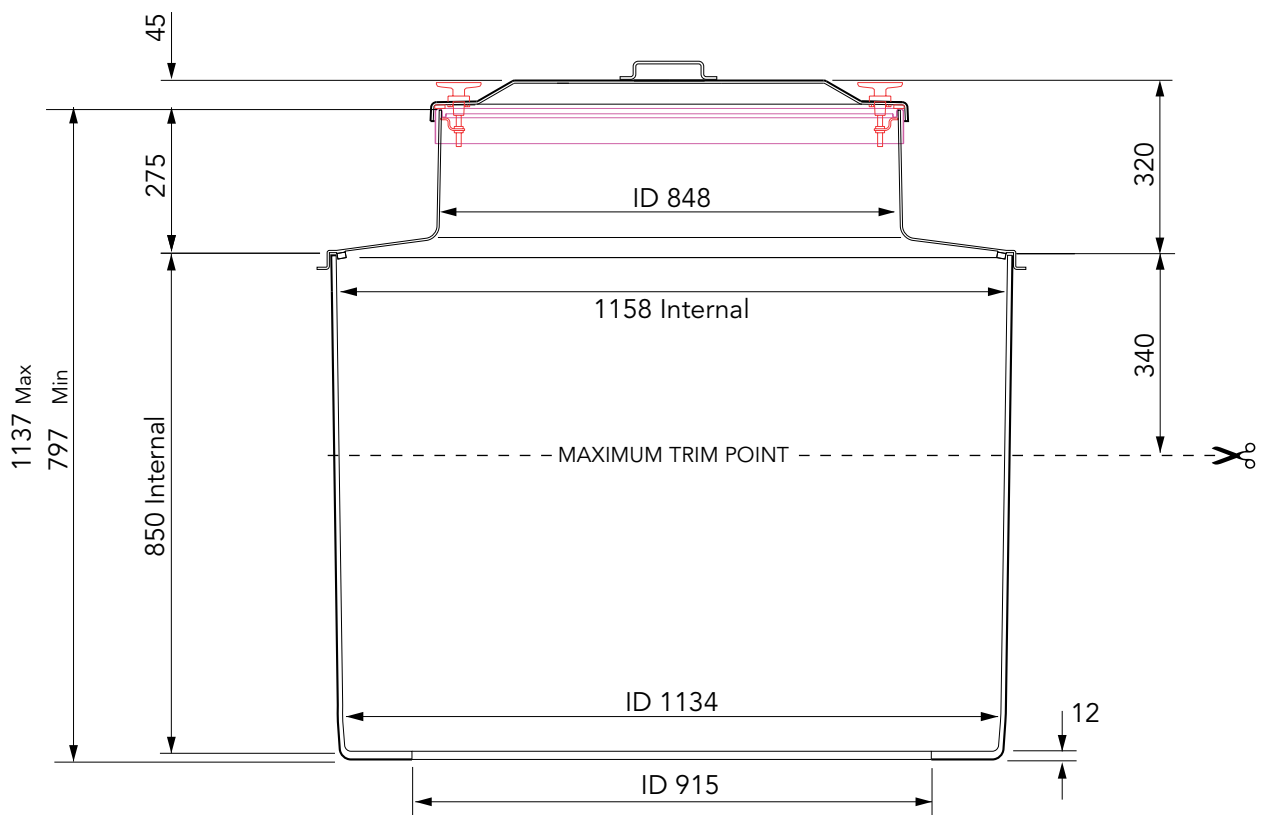
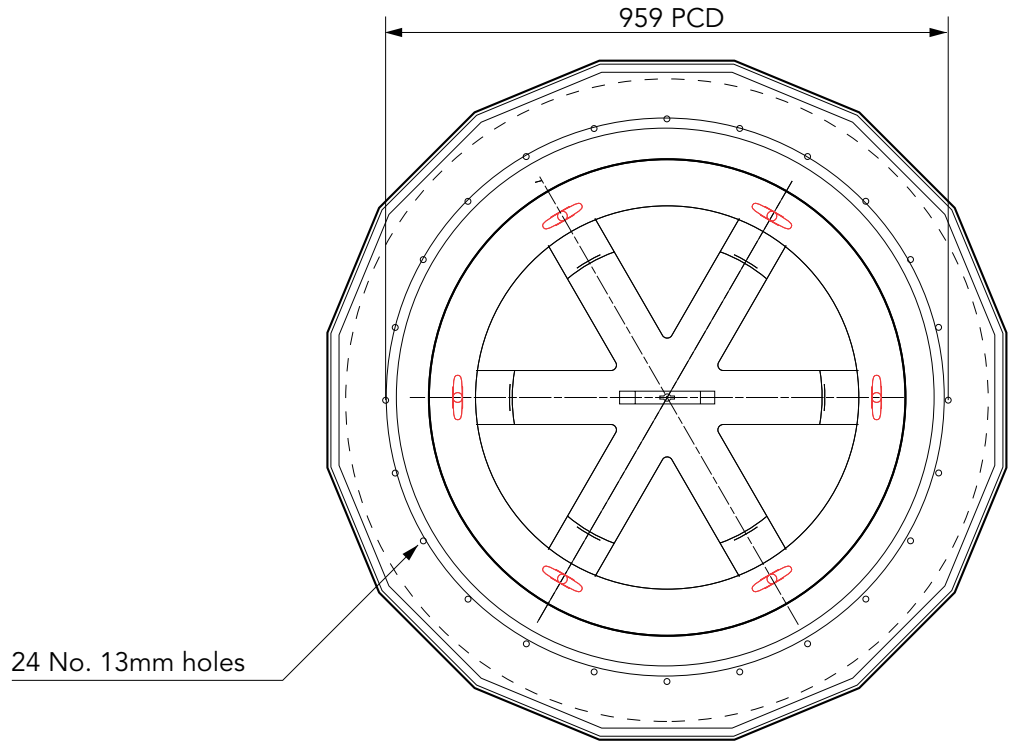
S8 CHAMBER

GASKET

1.2m diameter sump, corbel and screwtight watertight lid.

For reference purposes only. This drawing is not a specification. Order against product code only. To enable continuous improvement of our products, the designs and specifications are subject to change without notice.





1.2m diameter sump, corbel and screwtight watertight lid.

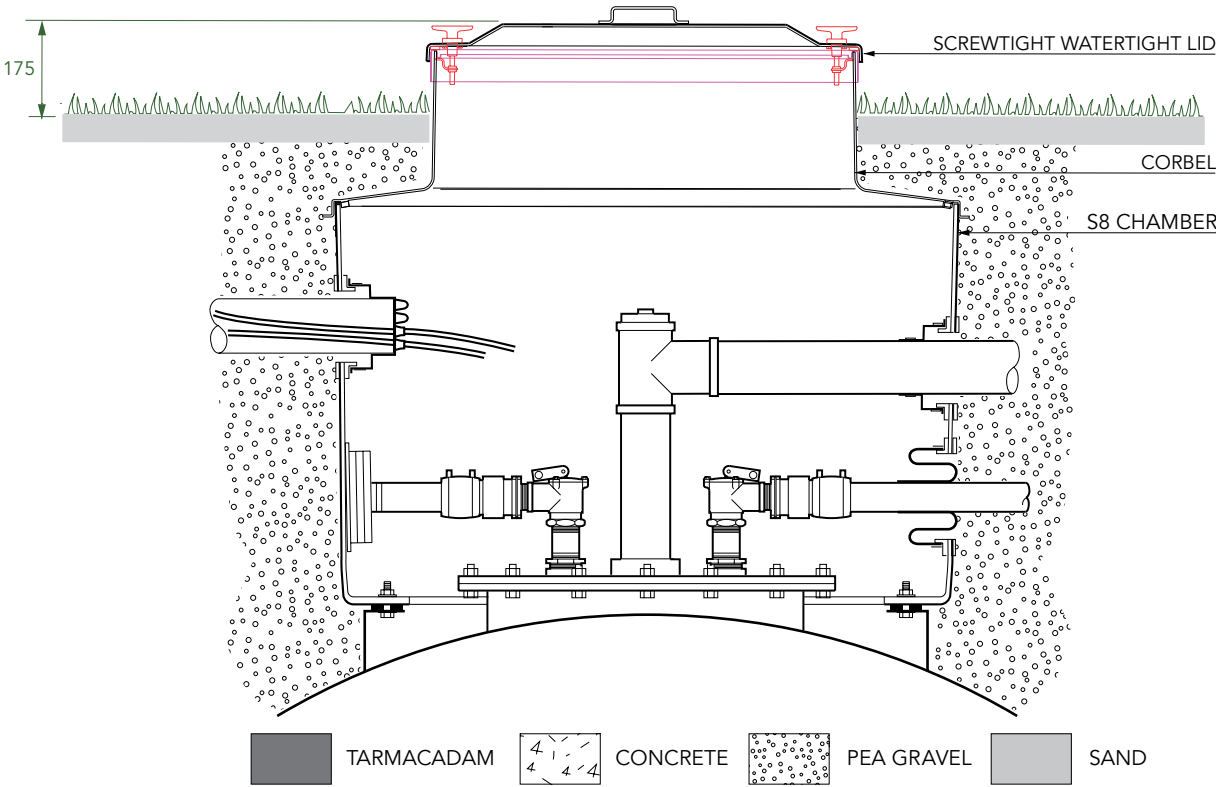
For reference purposes only. This drawing is not a specification. Order against product code only. To enable continuous improvement of our products, the designs and specifications are subject to change without notice.

**FIBRELITE**   
PART OF OPW A DOVER COMPANY

**! VERY IMPORTANT !**  
 OUTER EDGE "A" OF FRAME SET 5 - 10MM  
 ABOVE GENERAL FORECOURT AREA WITH  
 CONCRETE RAMPED AWAY OVER 300MM.

TYPICAL INSTALLATION

CONCRETE



1.2m diameter sump, corbel and screwtight watertight lid.

For reference purposes only. This drawing is not a specification. Order against product code only. To enable continuous improvement of our products, the designs and specifications are subject to change without notice.



PART OF OPW A DOVER COMPANY