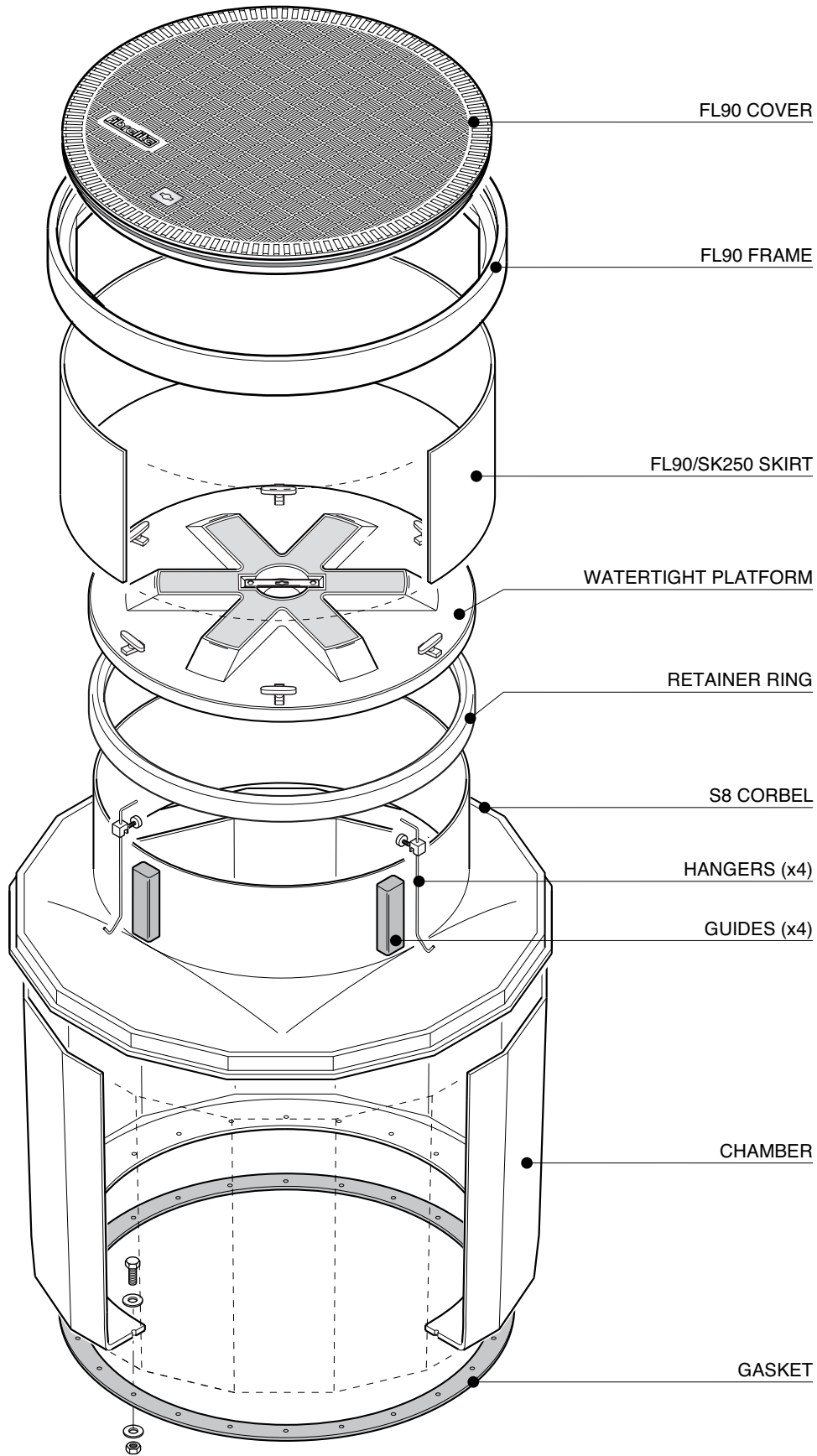


1.2m diameter bolted base chamber with a corbel, adjustable skirt, internal watertight platform and round 900mm flat sealed cover. Round tank flange.

For reference purposes only. This drawing is not a specification. Order against product code only. To enable continuous improvement of our products, the designs and specifications are subject to change without notice.

FIBRELITE 
PART OF OPW A DOVER COMPANY

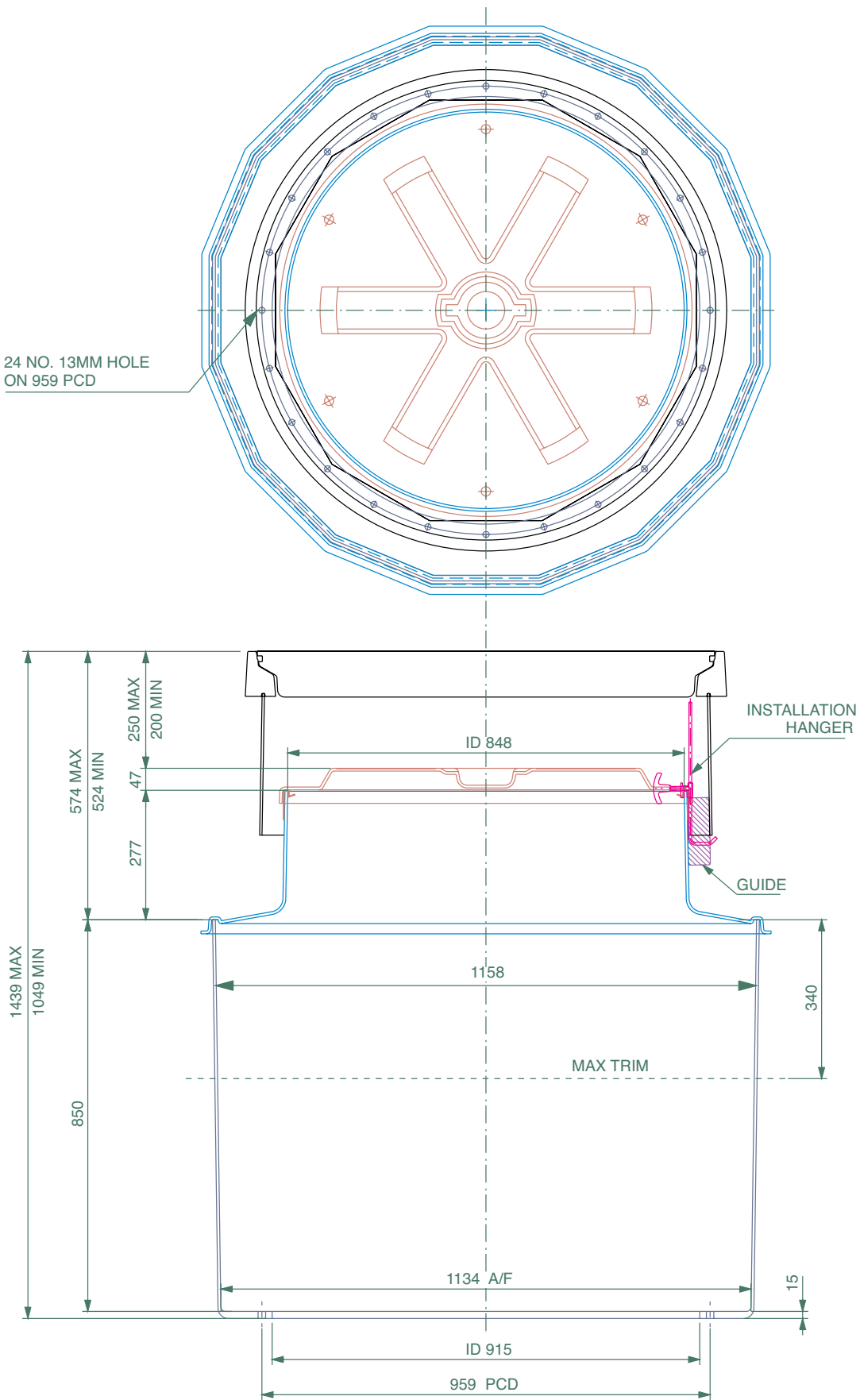


1.2m diameter bolted base chamber with a corbel, adjustable skirt, internal watertight platform and round 900mm flat sealed cover. Round tank flange.

For reference purposes only. This drawing is not a specification. Order against product code only. To enable continuous improvement of our products, the designs and specifications are subject to change without notice.

FIBRELITE 
PART OF OPW A DOVER COMPANY

24 NO. 13MM HOLE
ON 959 PCD



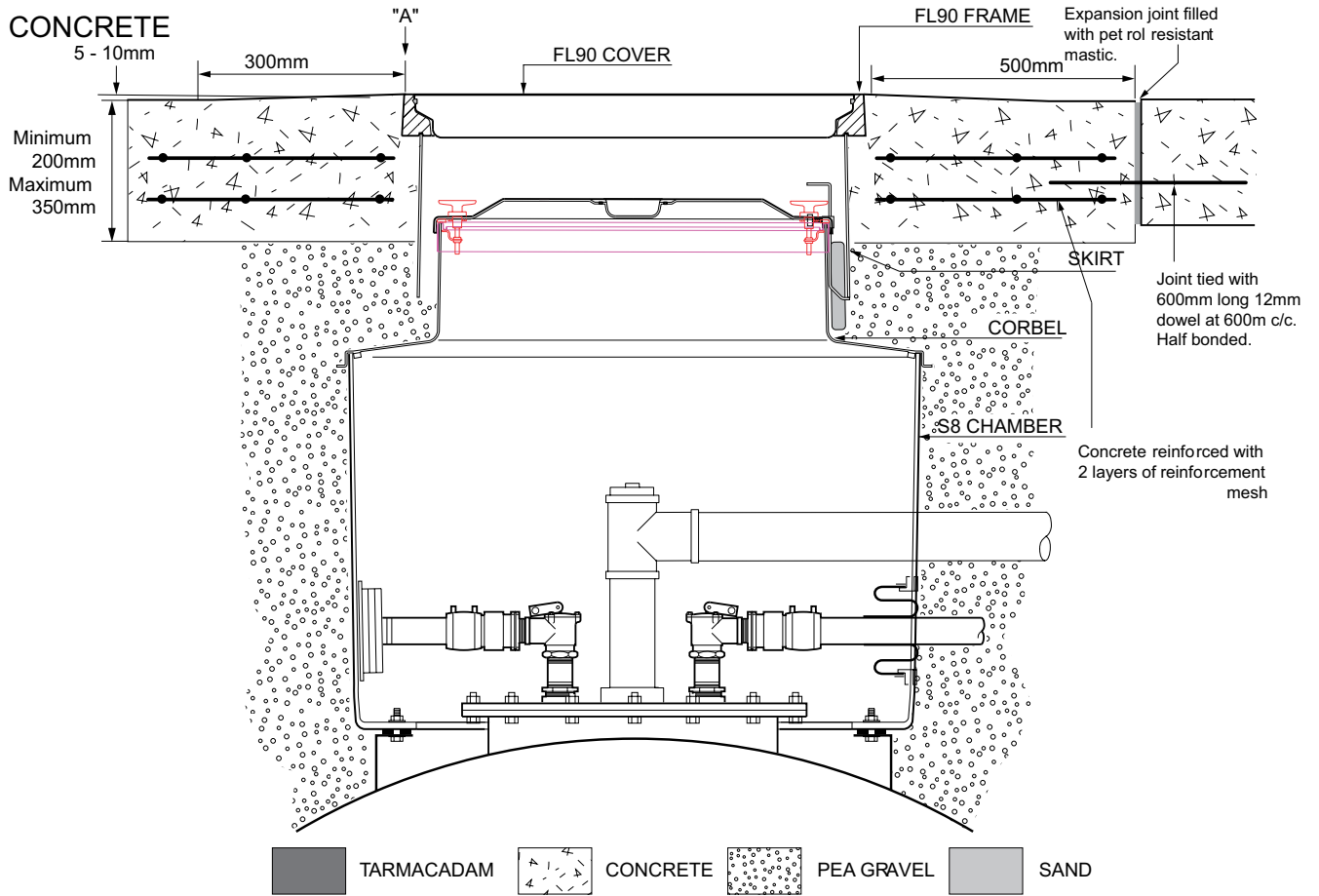
1.2m diameter bolted base chamber with a corbel, adjustable skirt, internal watertight platform and round 900mm flat sealed cover. Round tank flange.

For reference purposes only. This drawing is not a specification. Order against product code only. To enable continuous improvement of our products, the designs and specifications are subject to change without notice.

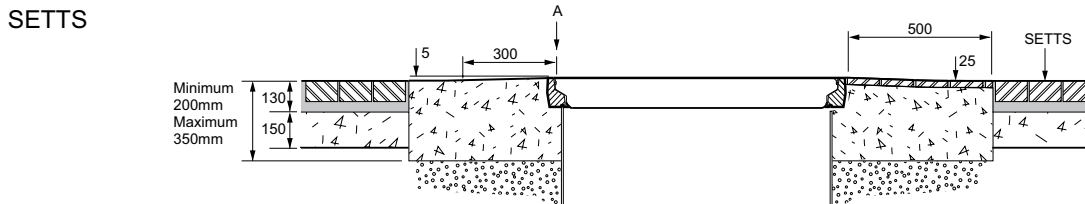
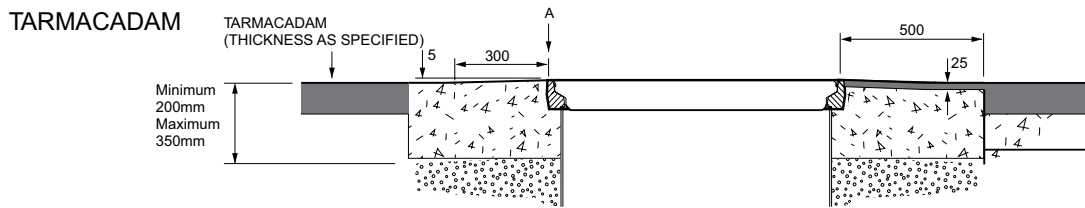
FIBRELITE 
PART OF OPW A DOVER COMPANY

! VERY IMPORTANT !
OUTER EDGE "A" OF FRAME SET 5-10MM
ABOVE GENERAL FORECOURT AREA WITH
CONCRETE RAMPED AWAY OVER 300MM.

TYPICAL INSTALLATION



ALTERNATIVE INSTALLATION ADVICE



1.2m diameter bolted base chamber with a corbel, adjustable skirt, internal watertight platform and round 900mm flat sealed cover. Round tank flange.

For reference purposes only. This drawing is not a specification. Order against product code only. To enable continuous improvement of our products, the designs and specifications are subject to change without notice.

FIBRELITE

PART OF OPW A DOVER COMPANY