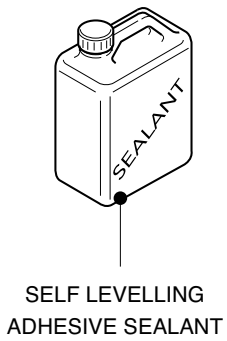
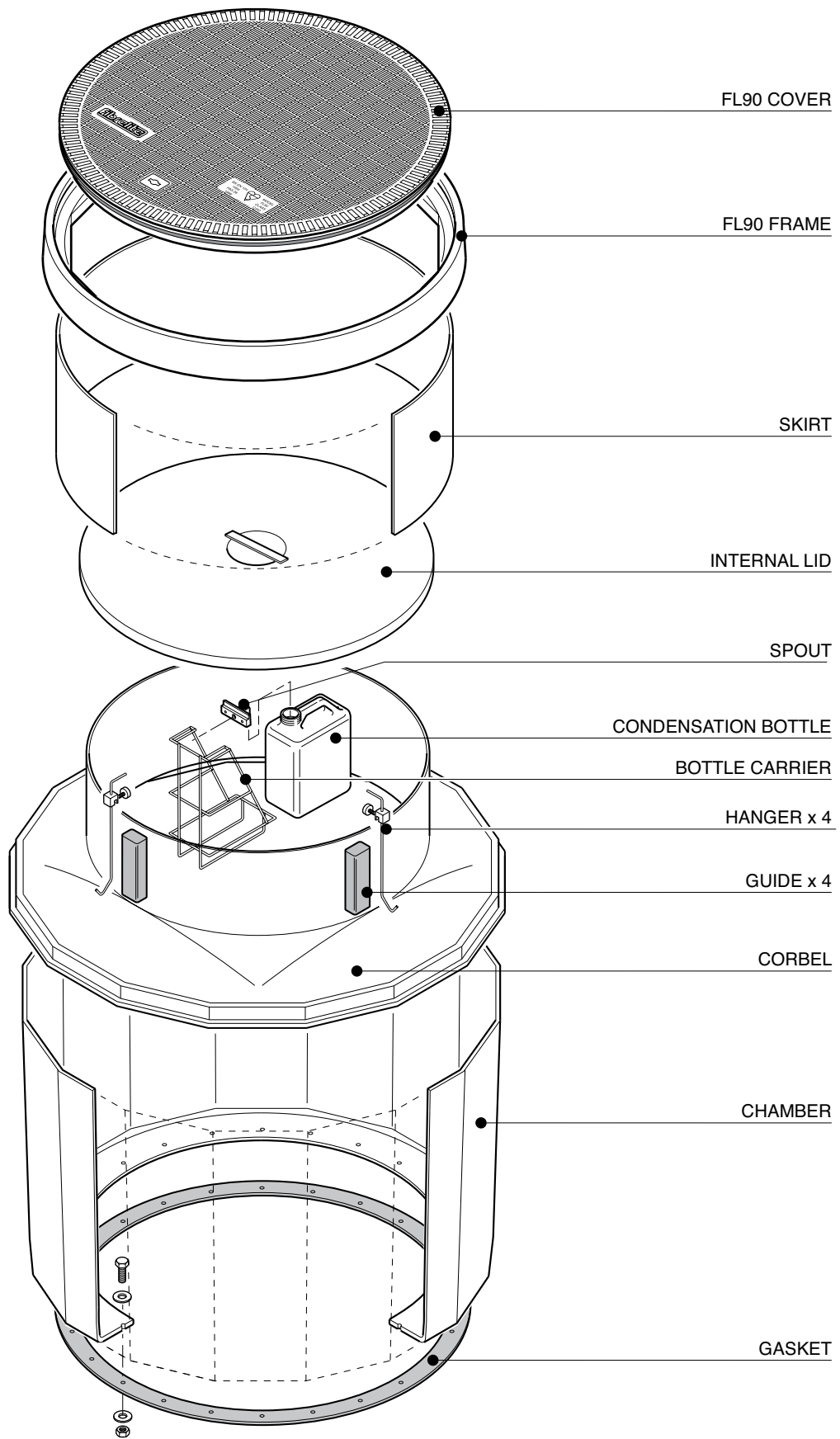


1.2m diameter bolted base chamber, corbel, internal lid with a height adjustable skirt and round 900mm flat sealed cover. Sealkit with condensation bottle and fixing kit. Round tank flange. Remote Fill

For reference purposes only. This drawing is not a specification. Order against product code only. To enable continuous improvement of our products, the designs and specifications are subject to change without notice.

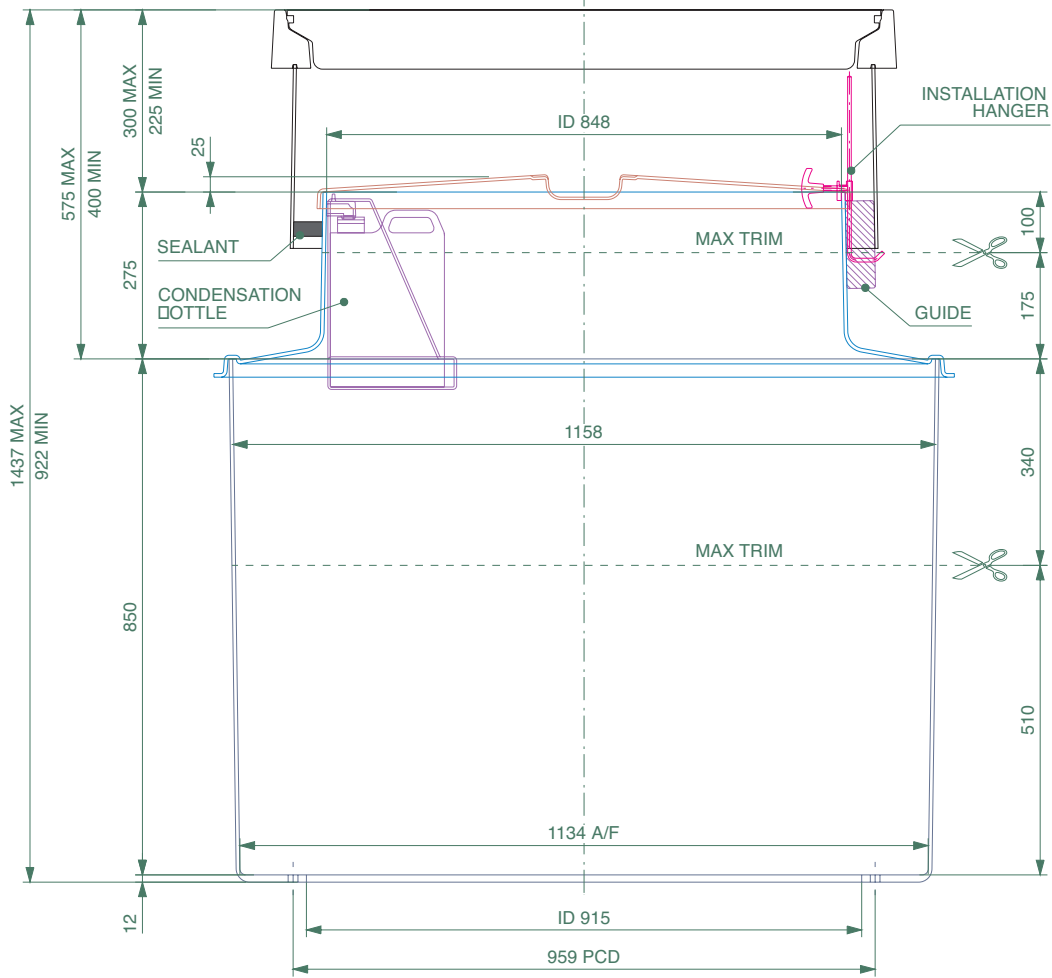
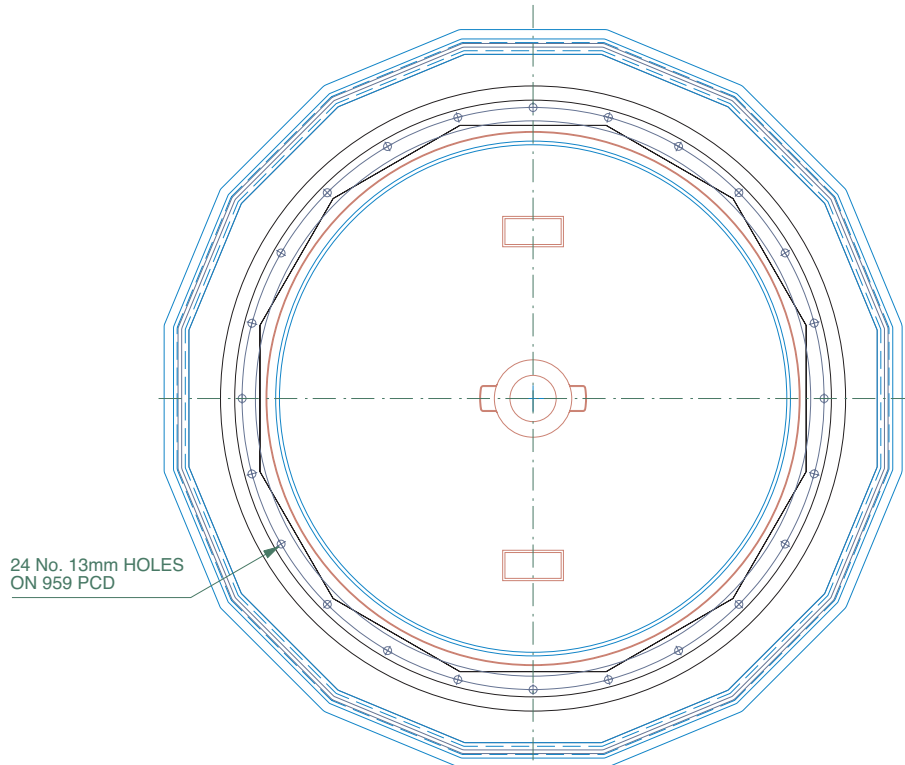
FIBRELITE 
PART OF OPW A DOVER COMPANY



1.2m diameter bolted base chamber, corbel, internal lid with a height adjustable skirt and round 900mm flat sealed cover. Sealkit with condensation bottle and fixing kit. Round tank flange. Remote Fill

For reference purposes only. This drawing is not a specification. Order against product code only. To enable continuous improvement of our products, the designs and specifications are subject to change without notice.

FIBRELITE 
PART OF OPW A DOVER COMPANY



1.2m diameter bolted base chamber, corbel, internal lid with a height adjustable skirt and round 900mm flat sealed cover. Sealkit with condensation bottle and fixing kit. Round tank flange. Remote Fill

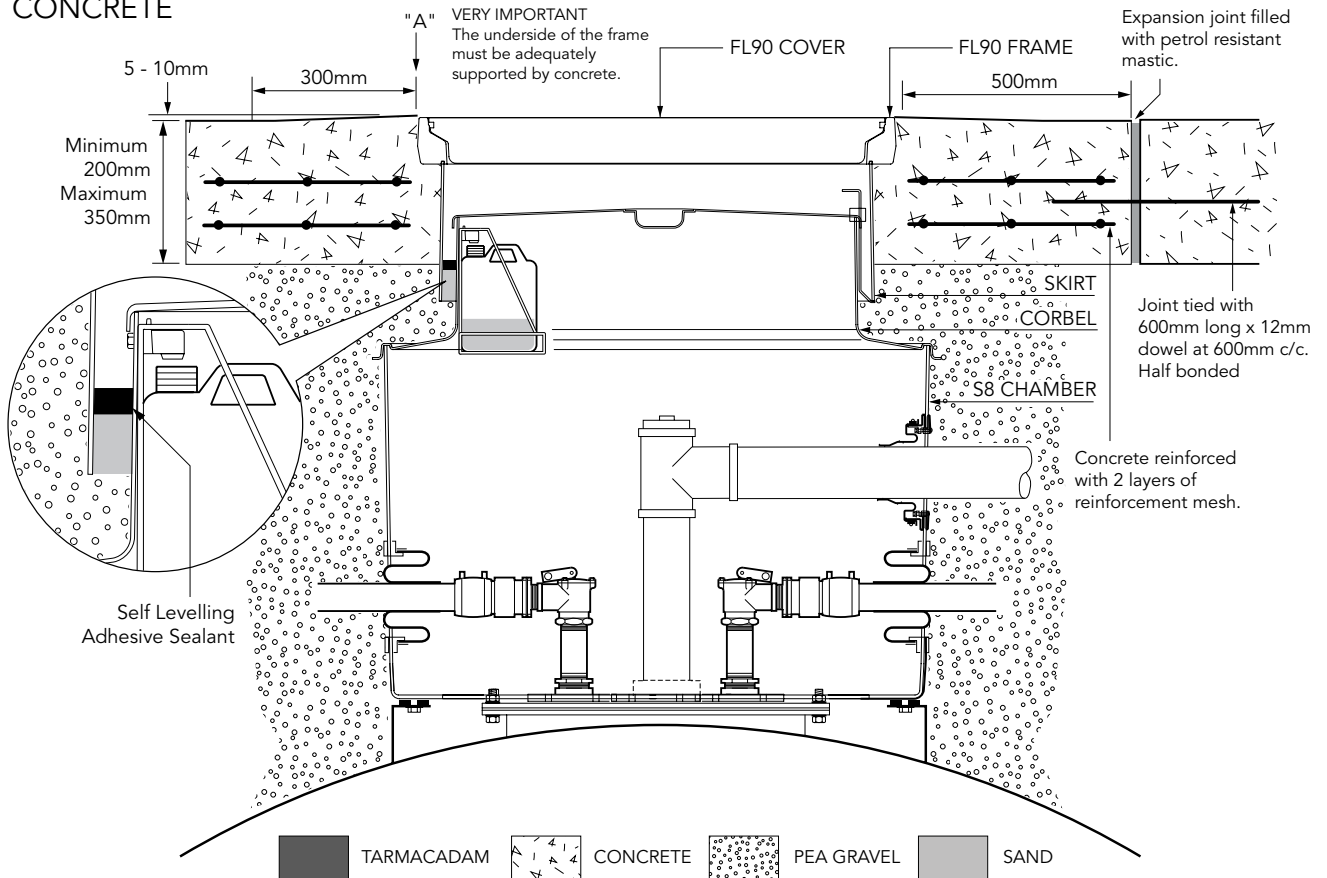
For reference purposes only. This drawing is not a specification. Order against product code only. To enable continuous improvement of our products, the designs and specifications are subject to change without notice.



VERY IMPORTANT
 OUTER EDGE "A" OF FRAME SET 5 - 10MM
 ABOVE GENERAL FORECOURT AREA WITH
 CONCRETE RAMPED AWAY OVER 300MM.

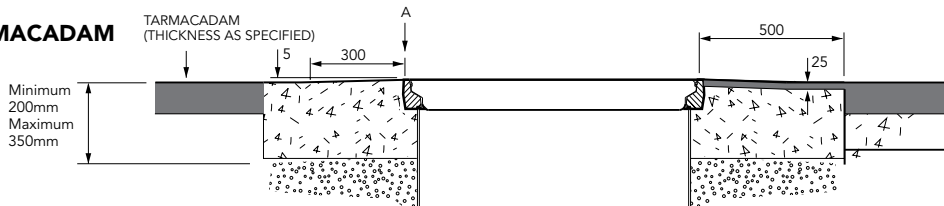
TYPICAL INSTALLATION

CONCRETE

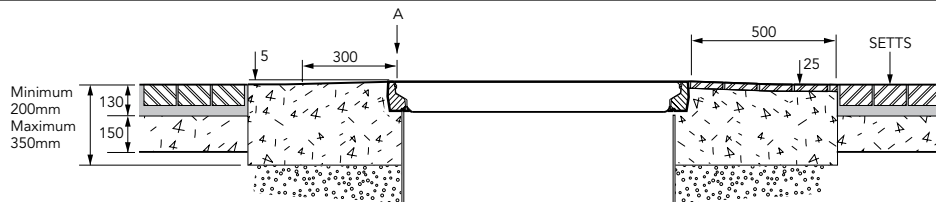


ALTERNATIVE INSTALLATION ADVICE

TARMACADAM



SETTS



1.2m diameter bolted base chamber, corbel, internal lid with a height adjustable skirt and round 900mm flat sealed cover. Seal kit with condensation bottle and fixing kit. Round tank flange. Remote Fill

For reference purposes only. This drawing is not a specification. Order against product code only. To enable continuous improvement of our products, the designs and specifications are subject to change without notice.

