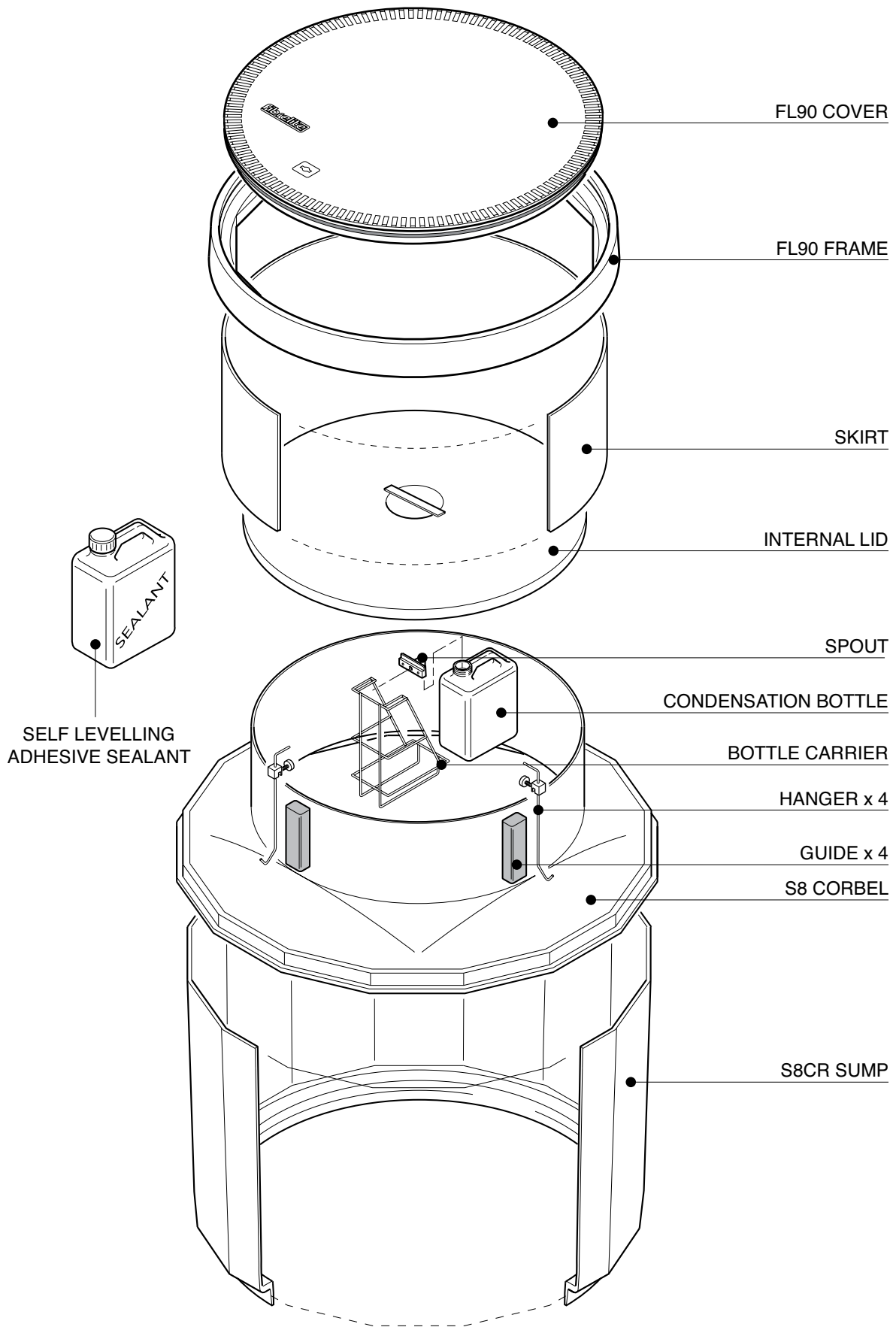


1.2m diameter chamber with collar ring base connection, a corbel, internal lid, adjustable skirt and round 900mm flat sealed cover and composite frame.

For reference purposes only. This drawing is not a specification. Order against product code only. To enable continuous improvement of our products, the designs and specifications are subject to change without notice.

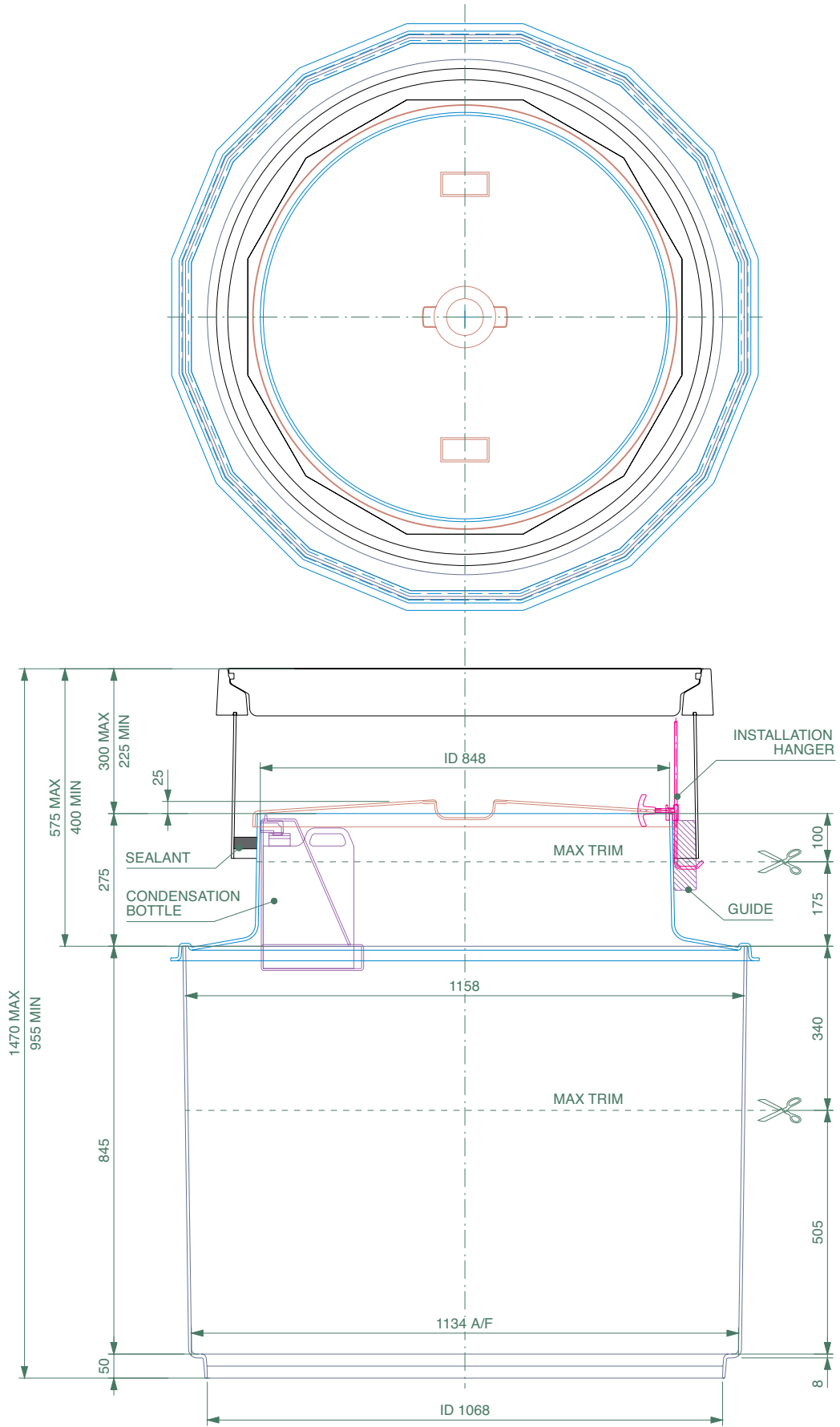
FIBRELITE 
PART OF OPW A DOVER COMPANY



1.2m diameter chamber with collar ring base connection, a corbel, internal lid, adjustable skirt and round 900mm flat sealed cover and composite frame.

For reference purposes only. This drawing is not a specification. Order against product code only. To enable continuous improvement of our products, the designs and specifications are subject to change without notice.





1.2m diameter chamber with collar ring base connection, a corbel, internal lid, adjustable skirt and round 900mm flat sealed cover and composite frame.

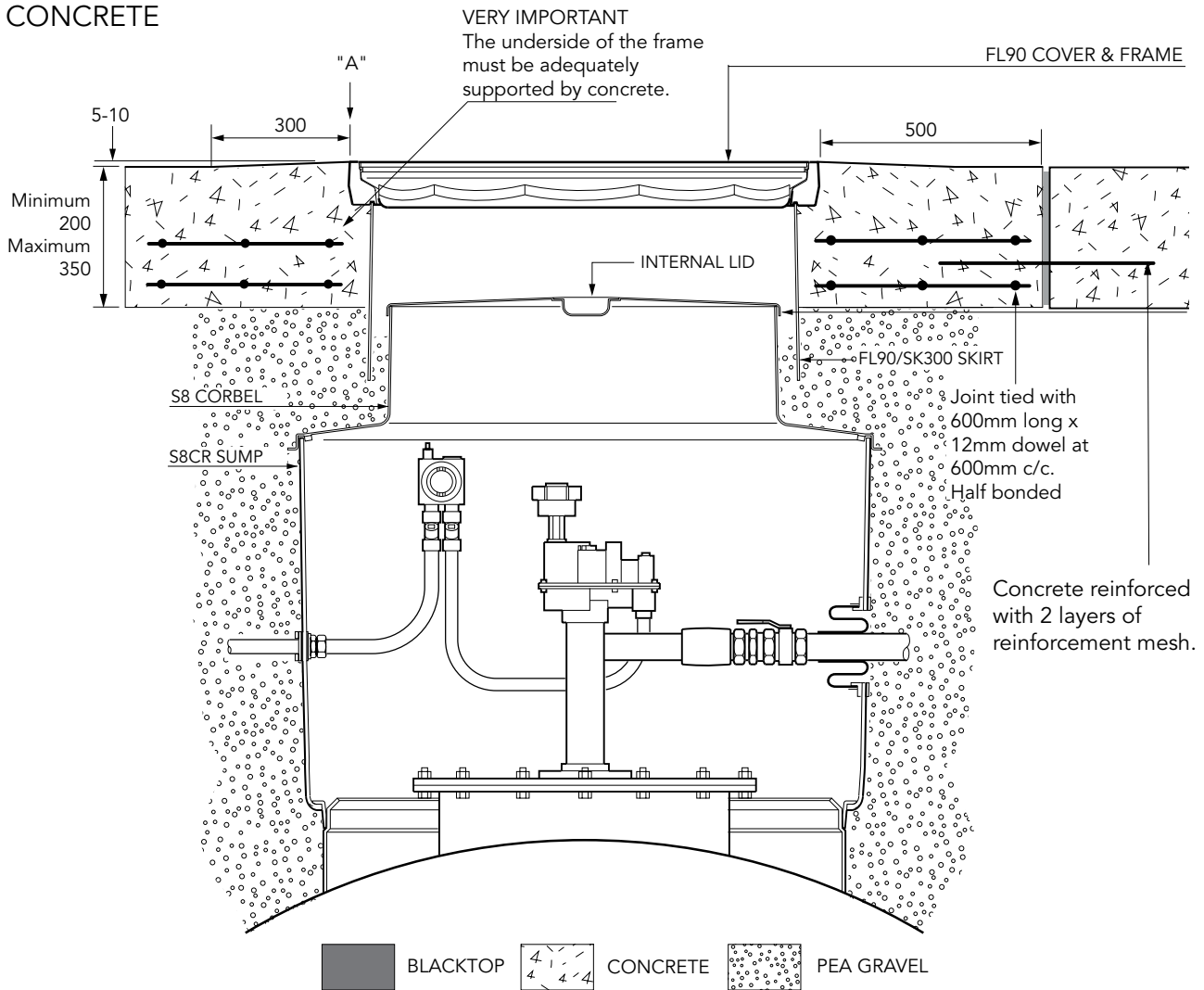
For reference purposes only. This drawing is not a specification. Order against product code only. To enable continuous improvement of our products, the designs and specifications are subject to change without notice.

FIBRELITE 
PART OF OPW A DOVER COMPANY

VERY IMPORTANT
OUTER EDGE "A" OF FRAME SET 5 - 10MM
ABOVE GENERAL GRADE AREA WITH
CONCRETE RAMPED AWAY OVER 300MM.

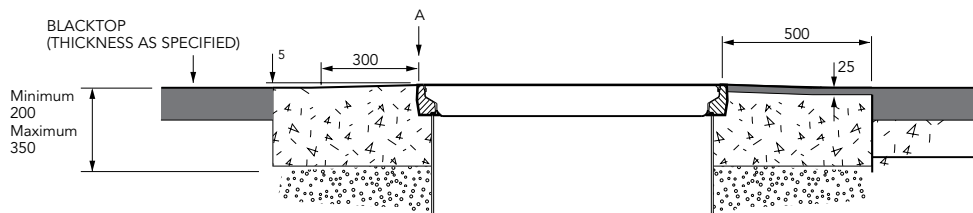
TYPICAL INSTALLATION

CONCRETE



ALTERNATIVE INSTALLATION ADVICE

BLACKTOP



1.2m diameter chamber with collar ring base connection, a corbel, internal lid, adjustable skirt and round 900mm flat sealed cover and composite frame.

For reference purposes only. This drawing is not a specification. Order against product code only. To enable continuous improvement of our products, the designs and specifications are subject to change without notice.

FIBRELITE

PART OF OPW A DOVER COMPANY