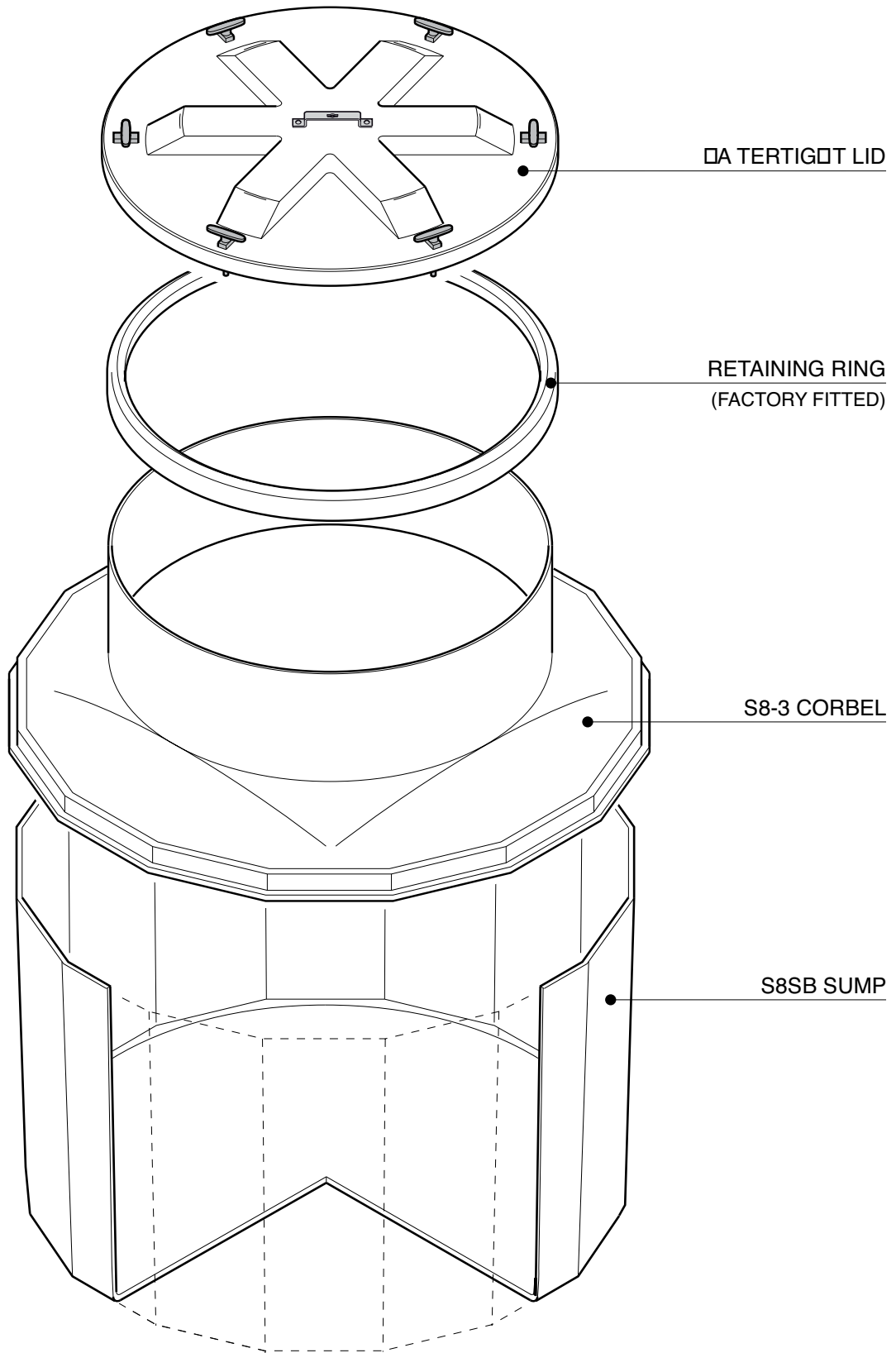


1.2m diameter sump with solid base, corbel and screwtight watertight lid. Designed for green area.

For reference purposes only. This drawing is not a specification. Order against product code only. To enable continuous improvement of our products, the designs and specifications are subject to change without notice.

**FIBRELITE**   
PART OF OPW A DOVER COMPANY



GA TERTIGHT LID

RETAINING RING  
(FACTORY FITTED)

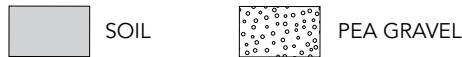
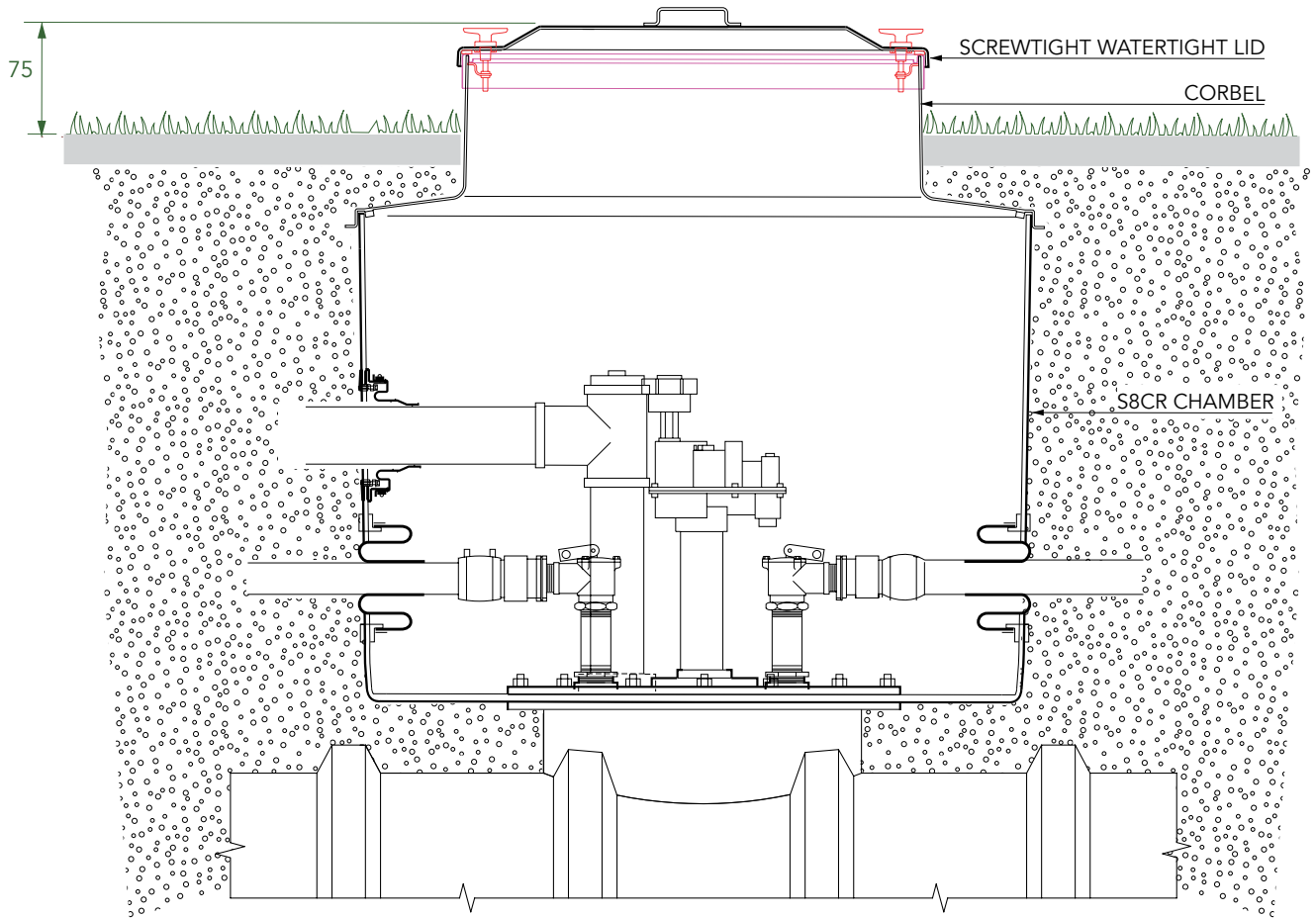
S8-3 CORBEL

S8SB SUMP

1.2m diameter sump with solid base, corbel and screwtight watertight lid. Designed for green area.

For reference purposes only. This drawing is not a specification. Order against product code only. To enable continuous improvement of our products, the designs and specifications are subject to change without notice.

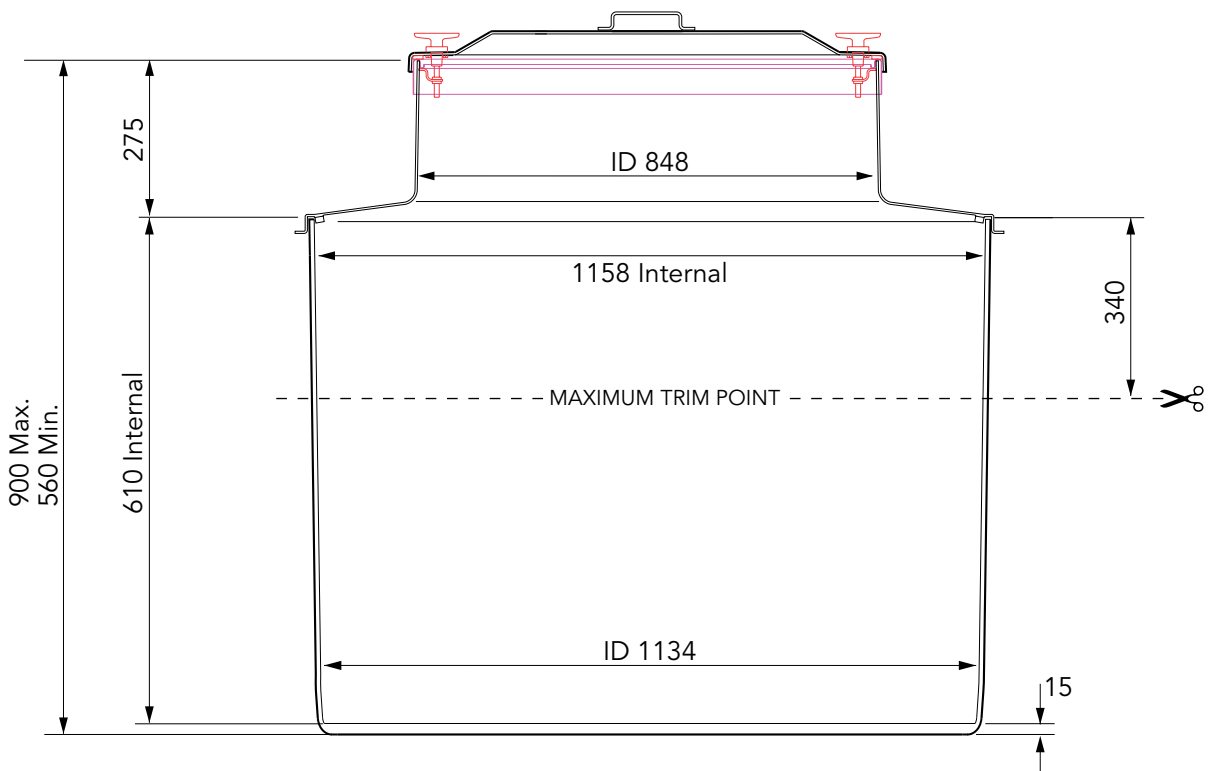
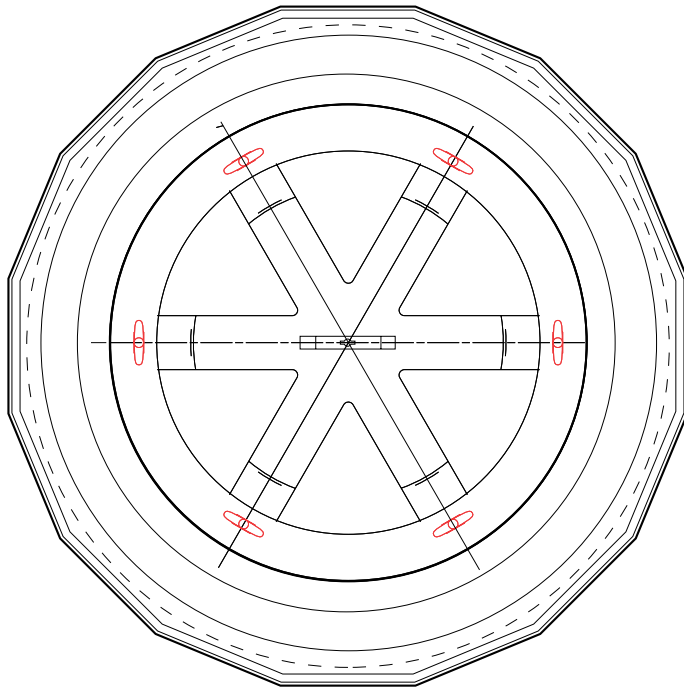
**FIBRELITE**   
PART OF OPW A DOVER COMPANY



1.2m diameter sump with solid base, corbel and screwtight watertight lid. Designed for green area.

For reference purposes only. This drawing is not a specification. Order against product code only. To enable continuous improvement of our products, the designs and specifications are subject to change without notice.

**FIBRELITE**   
PART OF OPW A DOWER COMPANY



1.2m diameter sump with solid base, corbel and screwtight watertight lid. Designed for green area.

For reference purposes only. This drawing is not a specification. Order against product code only. To enable continuous improvement of our products, the designs and specifications are subject to change without notice.

