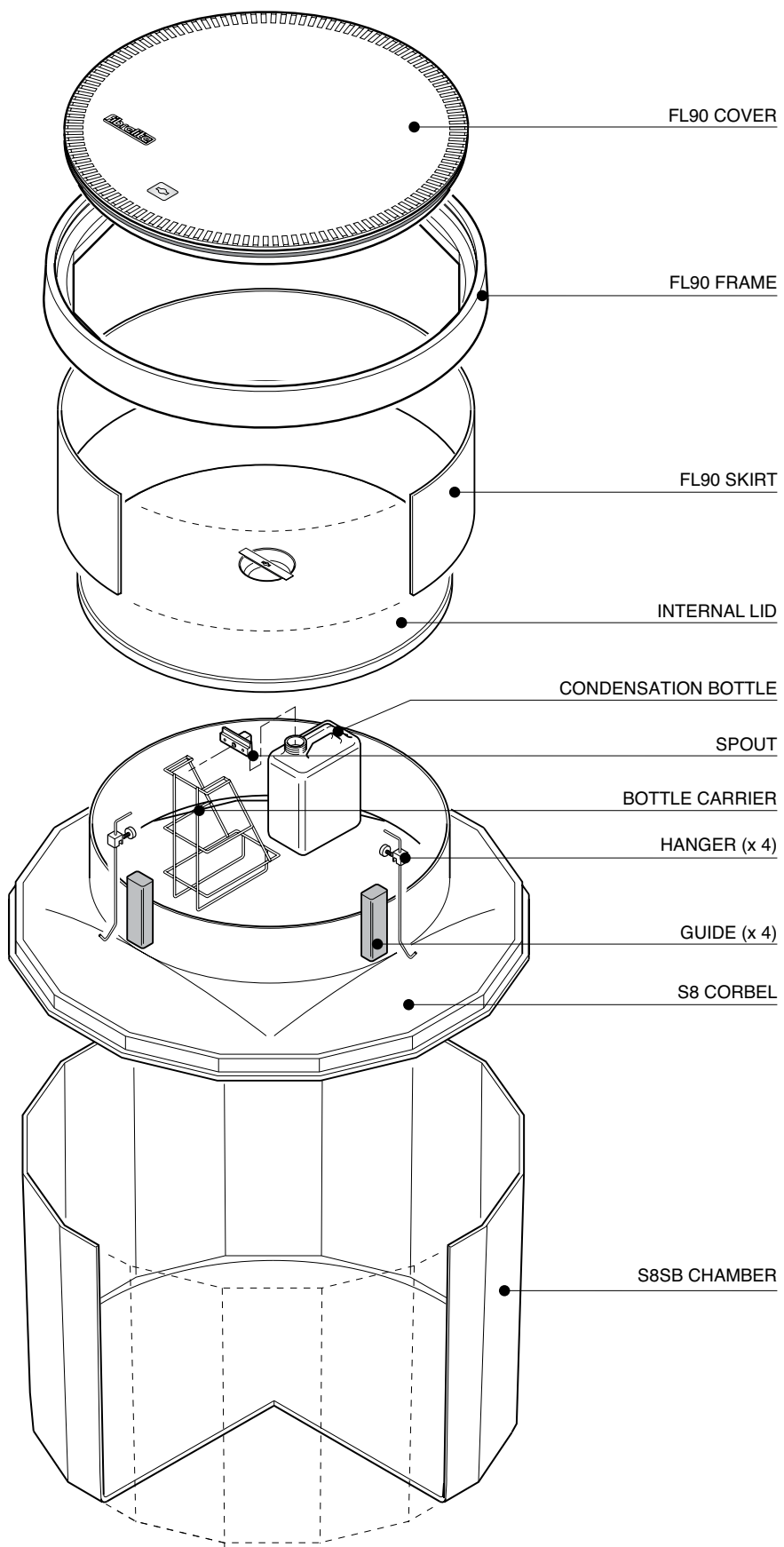


1.2m diameter solid base chamber with a corbel, internal lid, adjustable skirt and round 900mm flat sealed cover with frame.

For reference purposes only. This drawing is not a specification. Order against product code only. To enable continuous improvement of our products, the designs and specifications are subject to change without notice.

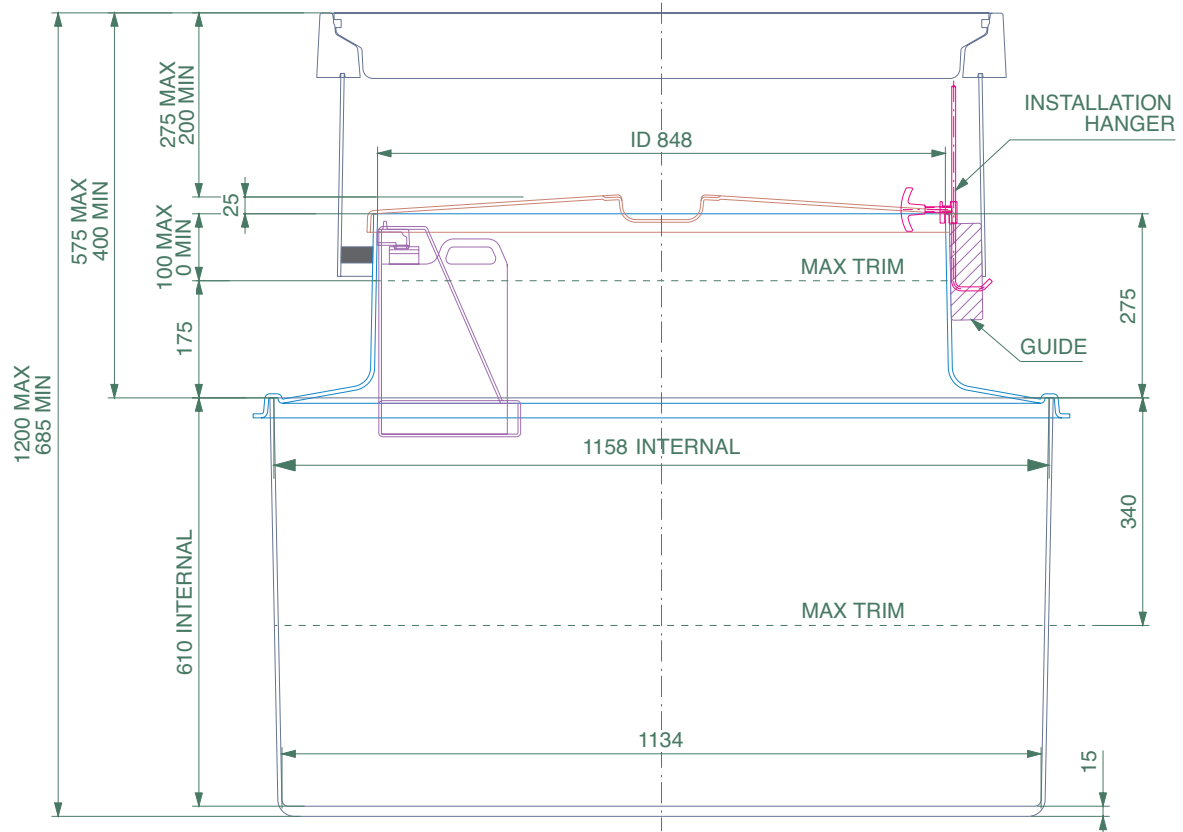
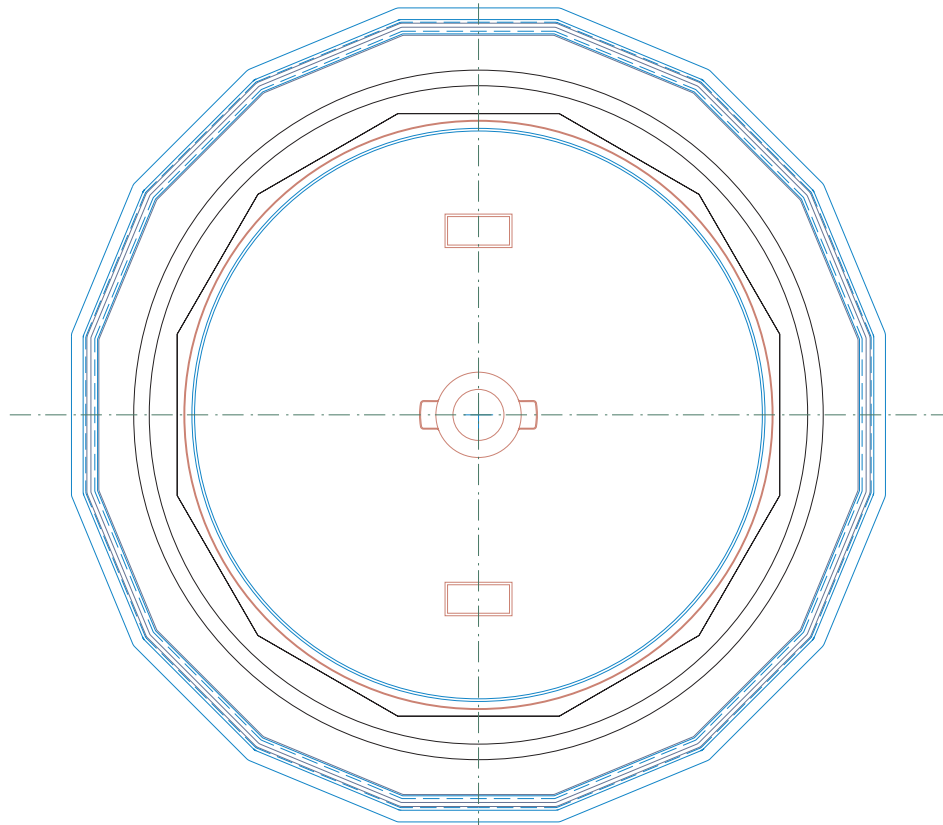
FIBRELITE 
PART OF OPW A DOVER COMPANY



1.2m diameter solid base chamber with a corbel, internal lid, adjustable skirt and round 900mm flat sealed cover with frame.

For reference purposes only. This drawing is not a specification. Order against product code only. To enable continuous improvement of our products, the designs and specifications are subject to change without notice.





1.2m diameter solid base chamber with a corbel, internal lid, adjustable skirt and round 900mm flat sealed cover with frame.

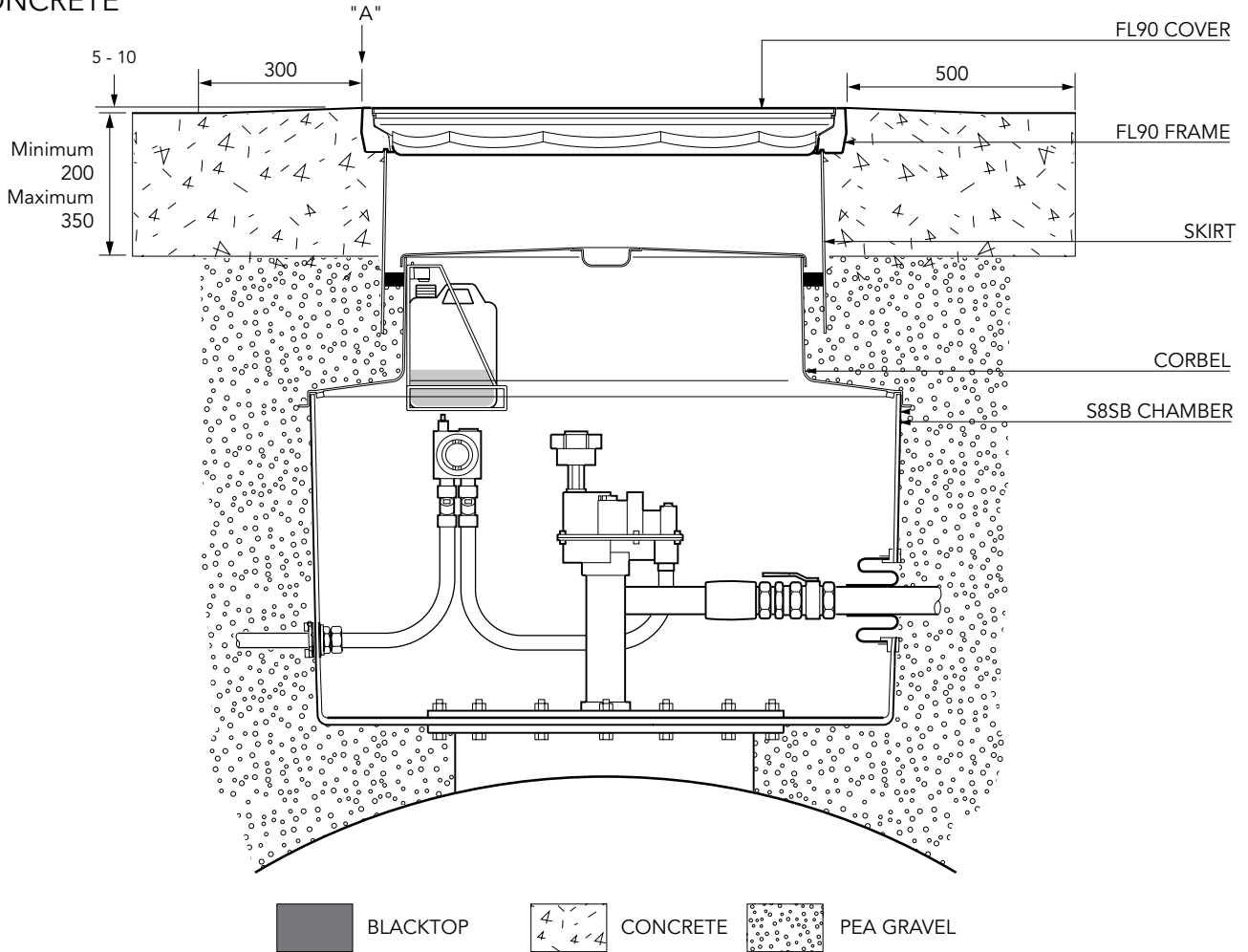
For reference purposes only. This drawing is not a specification. Order against product code only. To enable continuous improvement of our products, the designs and specifications are subject to change without notice.

FIBRELITE 
PART OF OPW A DOWDER COMPANY

VERY IMPORTANT
 OUTER EDGE "A" OF FRAME SET 5 - 10
 ABOVE GENERAL GRADE AREA WITH
 CONCRETE RAMPED AWAY OVER 300mm.

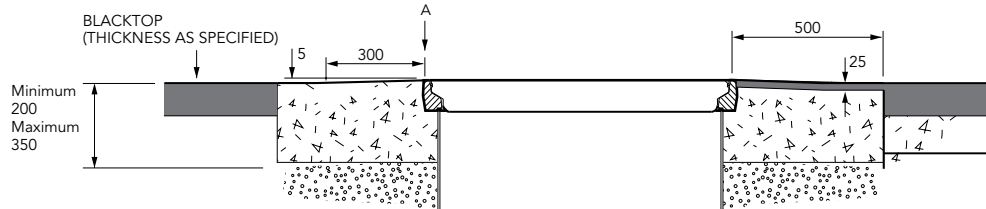
TYPICAL INSTALLATION

CONCRETE



ALTERNATIVE INSTALLATION ADVICE

BLACKTOP



1.2m diameter solid base chamber with a corbel, internal lid, adjustable skirt and round 900mm flat sealed cover with frame.

For reference purposes only. This drawing is not a specification. Order against product code only. To enable continuous improvement of our products, the designs and specifications are subject to change without notice.

FIBRELITE 
 PART OF OPW A DOVER COMPANY