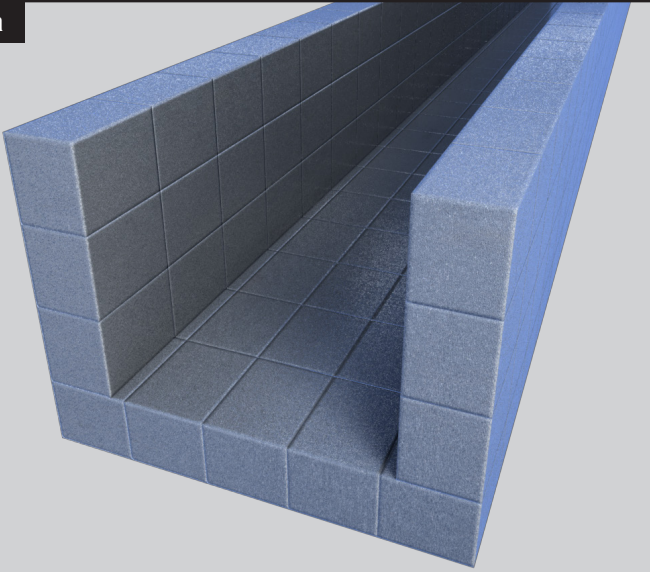


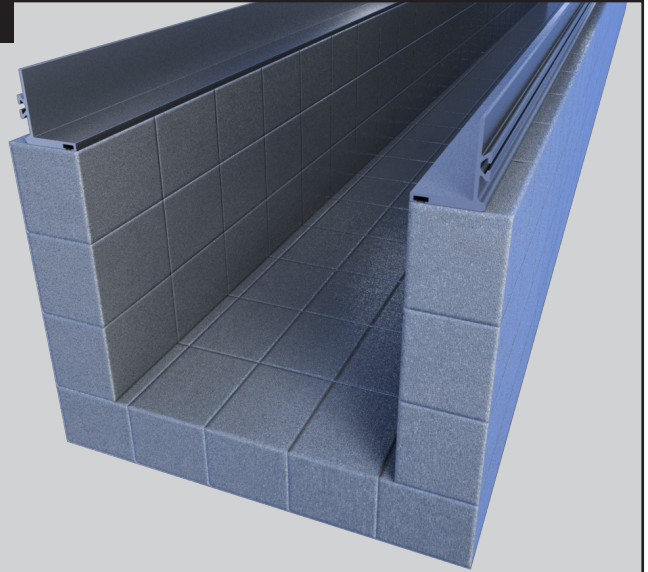
Brick and Mortar Installation

1a



Create a trench form or rebate with brick-and-mortar and allow to sufficiently cure.

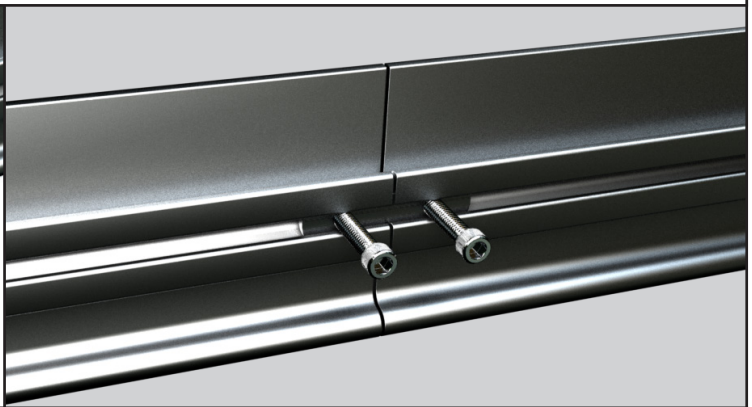
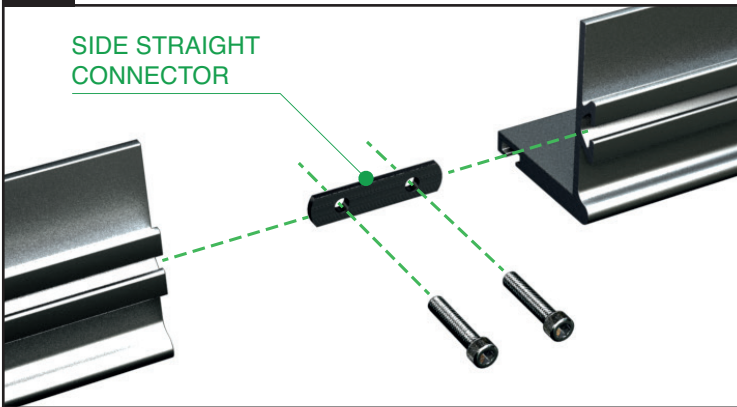
2a



Position the framework on top of the brickwork.

3a Assemble the framework with the supplied fixtures.

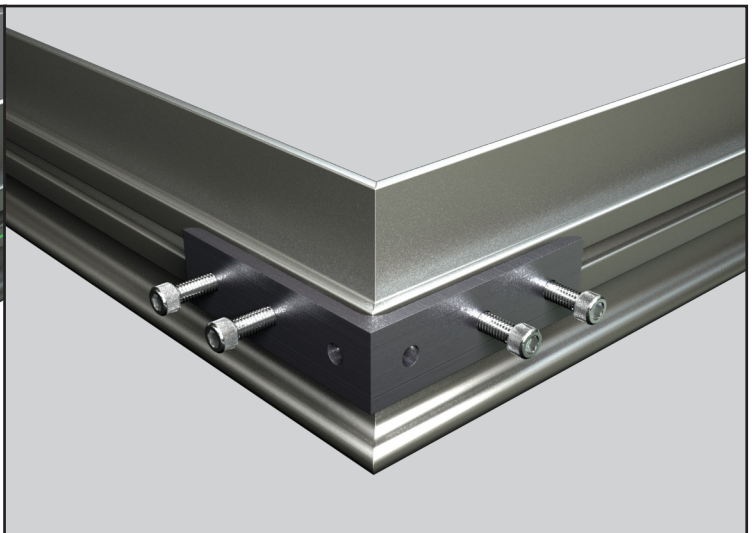
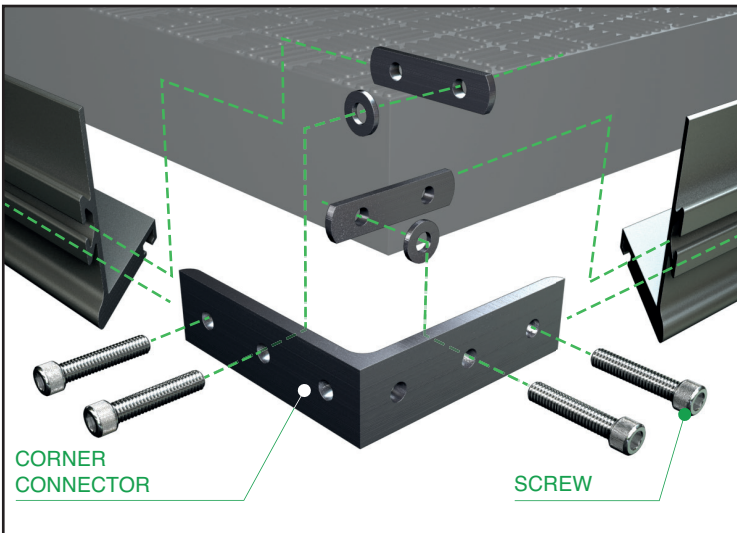
SIDE STRAIGHT CONNECTOR



Straight Connector

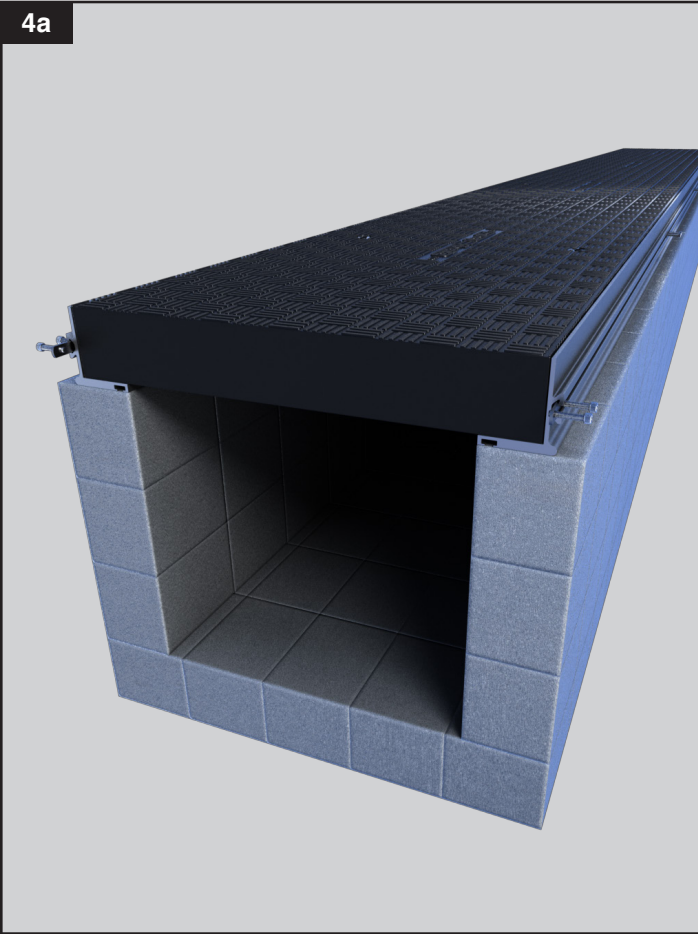
CORNER CONNECTOR

SCREW



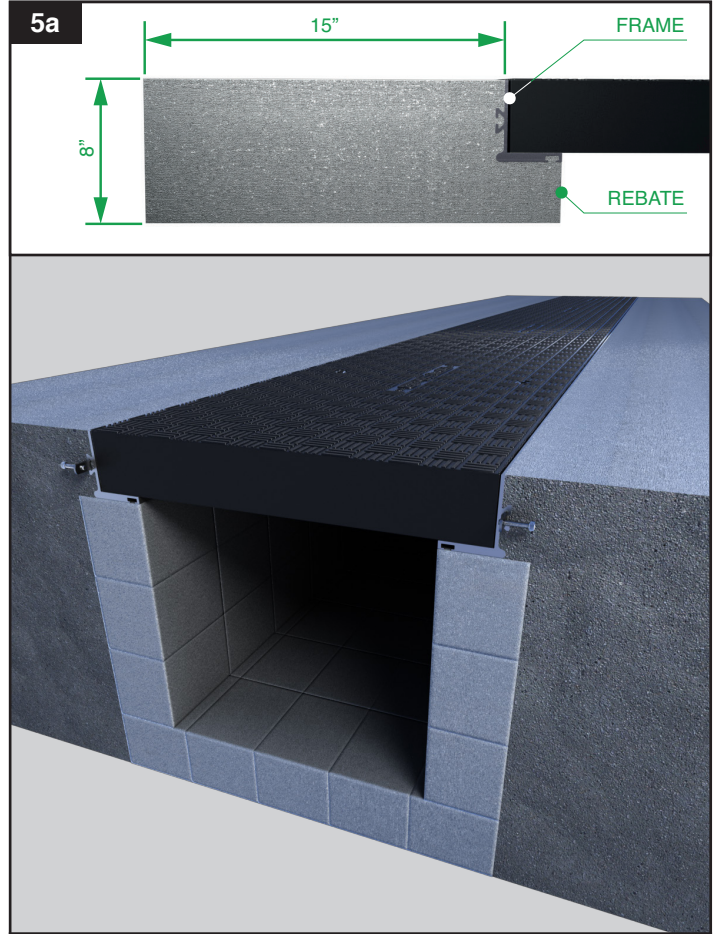
Corner Connector

4a



Install the covers and check the frame for flatness and sizing.

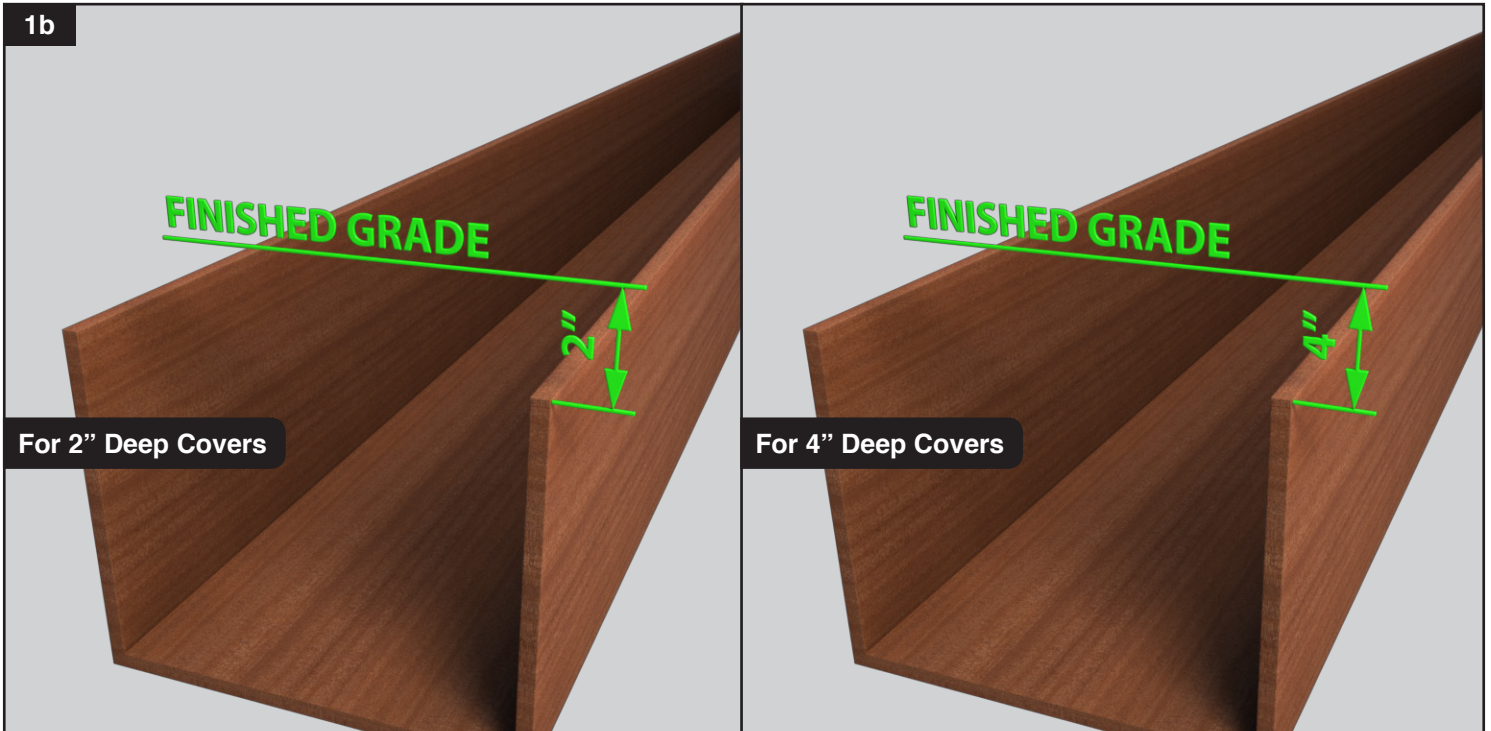
5a



Concrete in the surrounding area to the specified thickness.

Wood Trench Form and Hanger Installation

1b

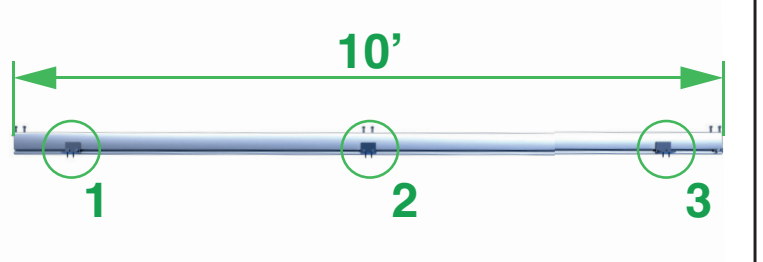
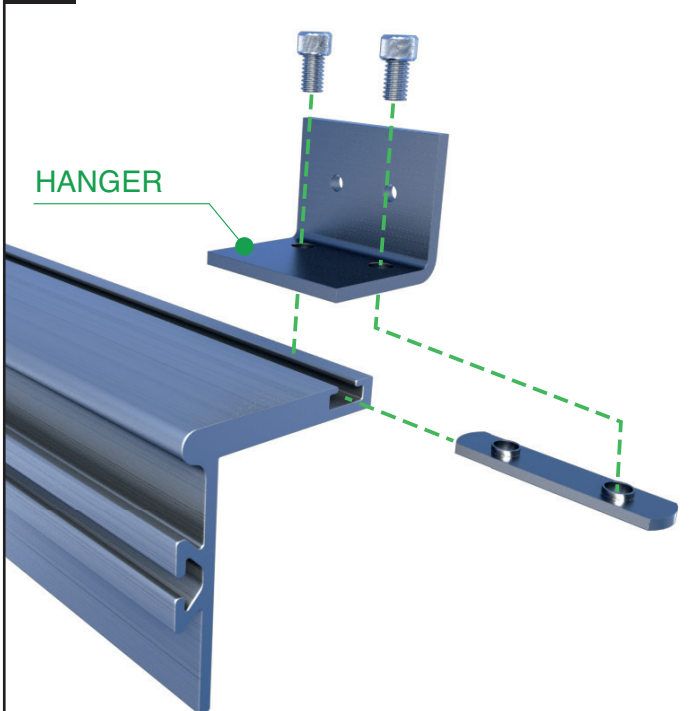


Form the wood trench template so that the walls end at an amount that is equal to the depth of the covers, below finished grade. For example, for 2" deep covers, the wall ends will finish 2" below finished grade and for 4" deep covers, the wall ends will finish 4" below finished grade.

2b

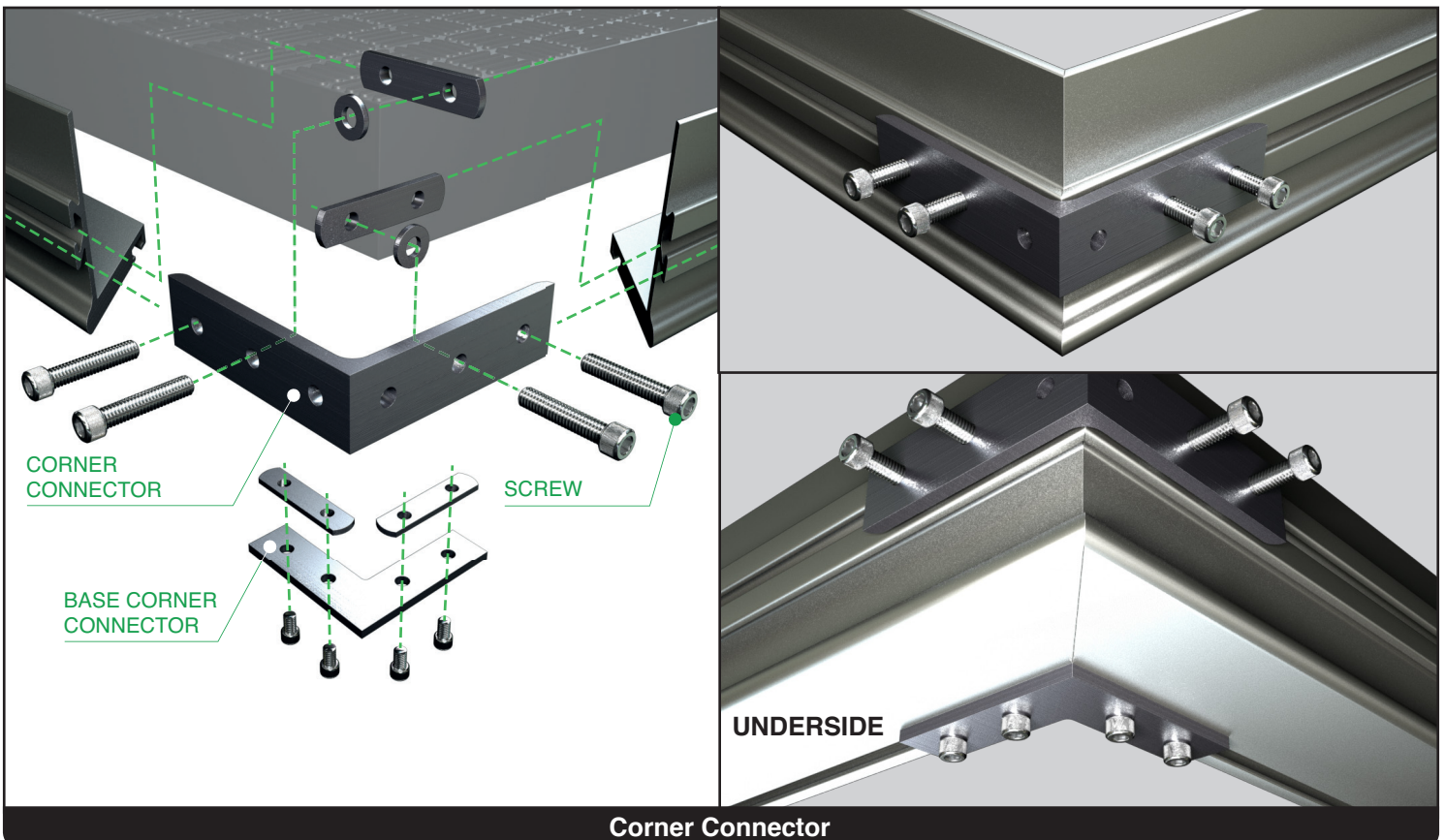
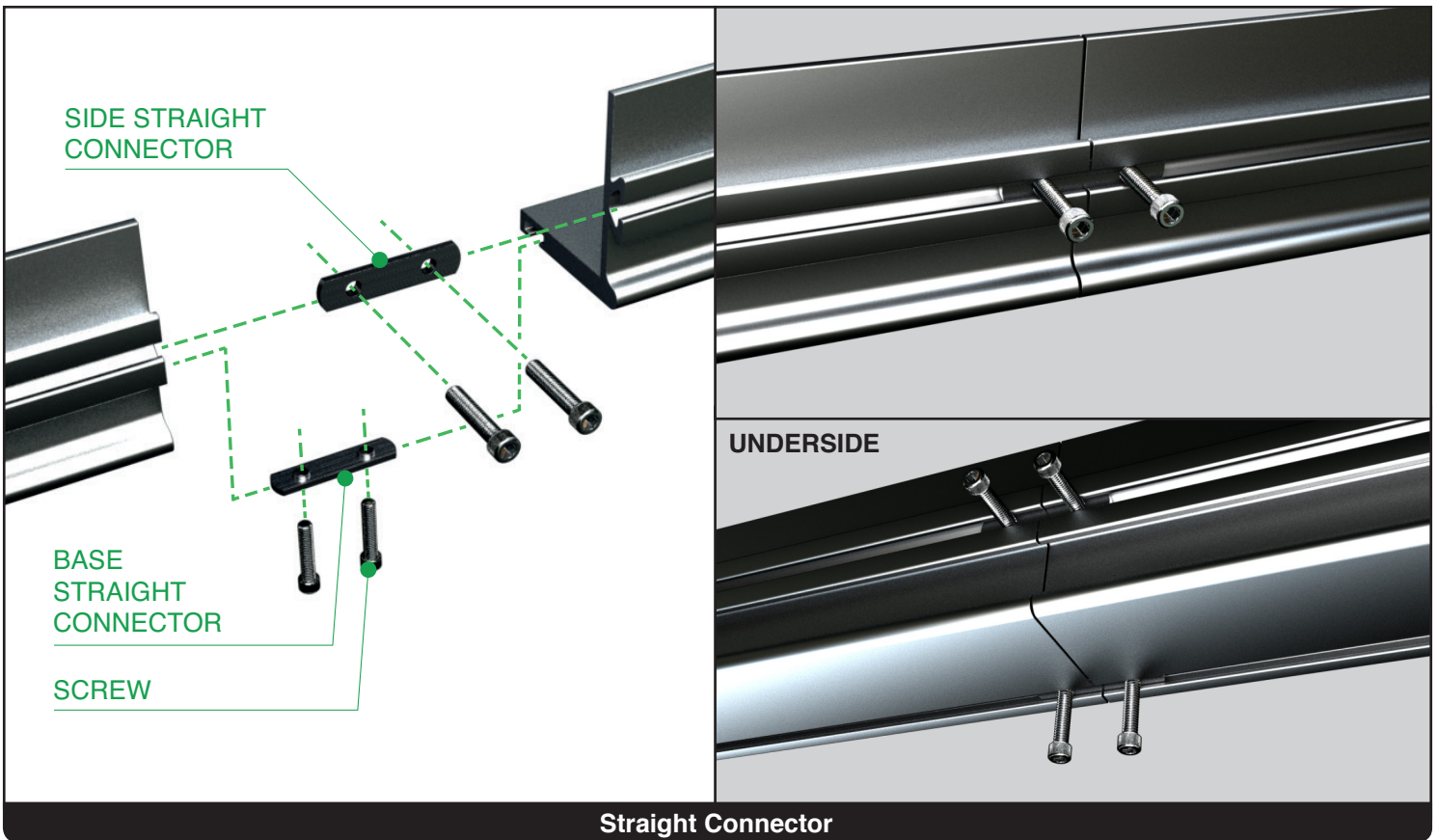
UNDERSIDE

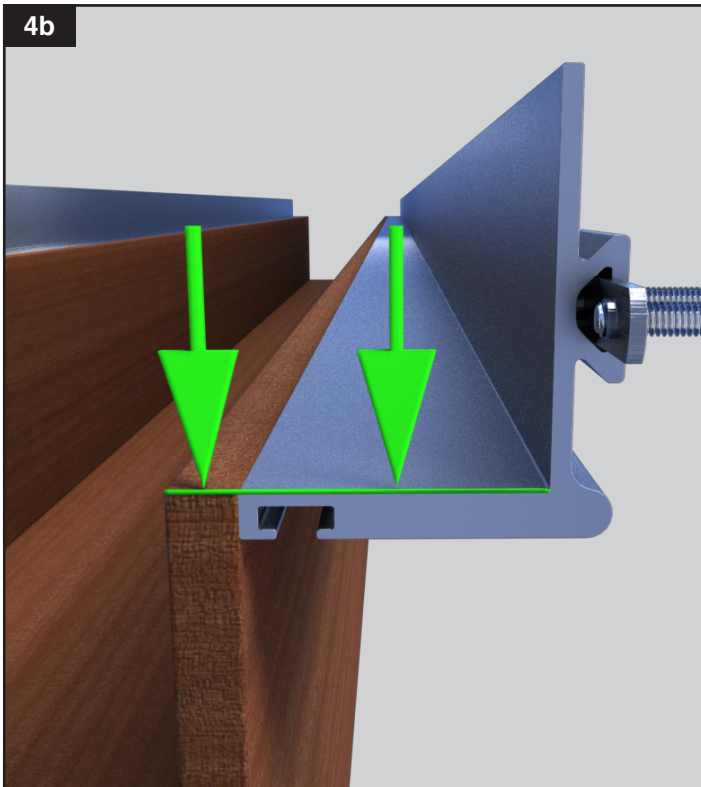
FRAME LENGTH



Attach the supplied hangers to the frame (3 minimum per 10ft section).

3b Assemble the framework with the supplied fixtures.

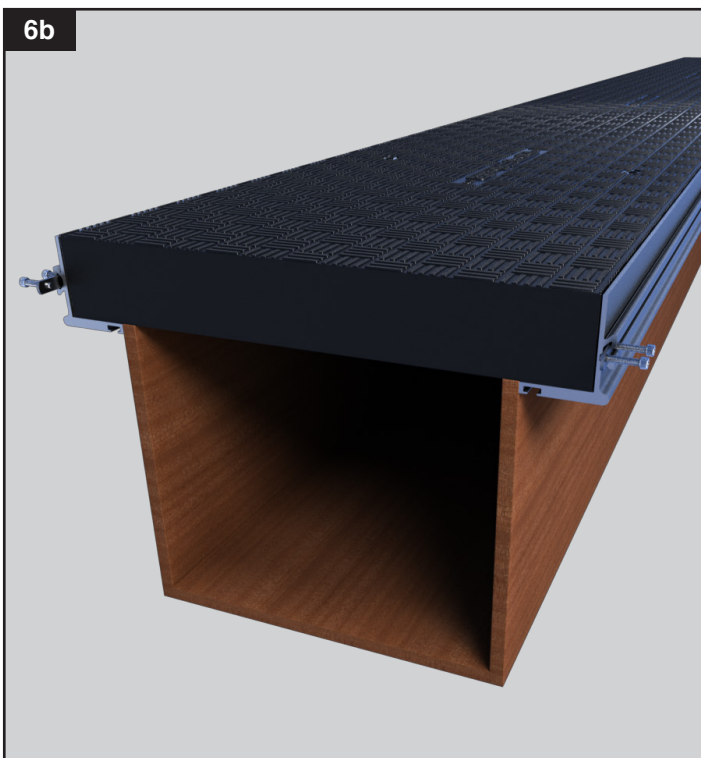




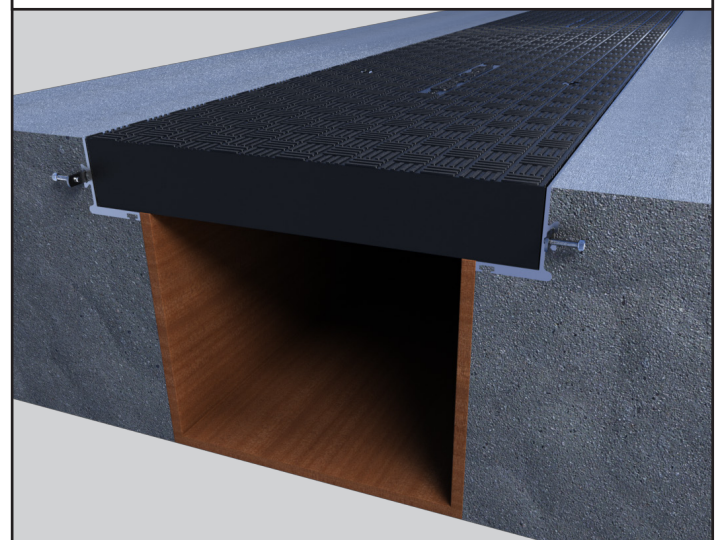
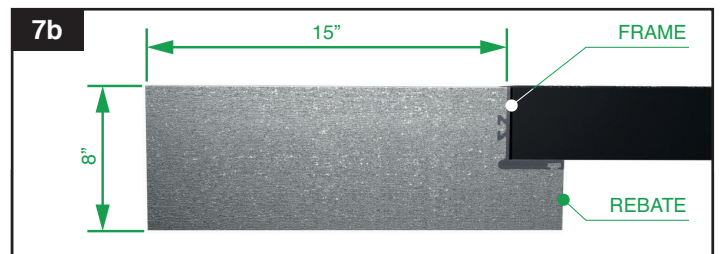
Align, the frame supporting face with the top of the wood form.



Using screws (#12 wood screw) or nails (10d to 60d), fix the frames with hangers to the exterior of the wood trench form.

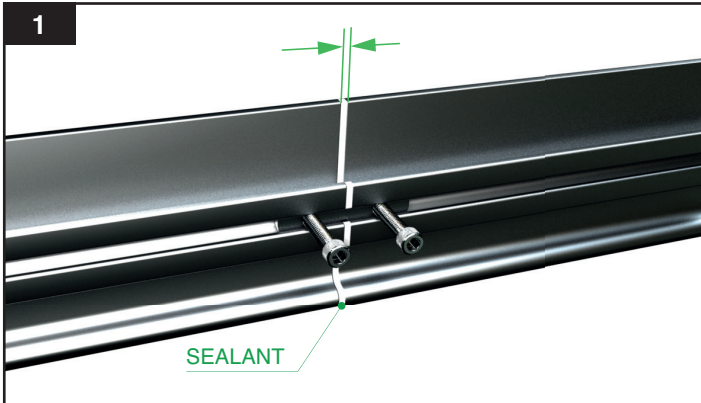


Install the covers to ensure that the frame is level and adjust framing position as necessary to assure panel fit is acceptable.

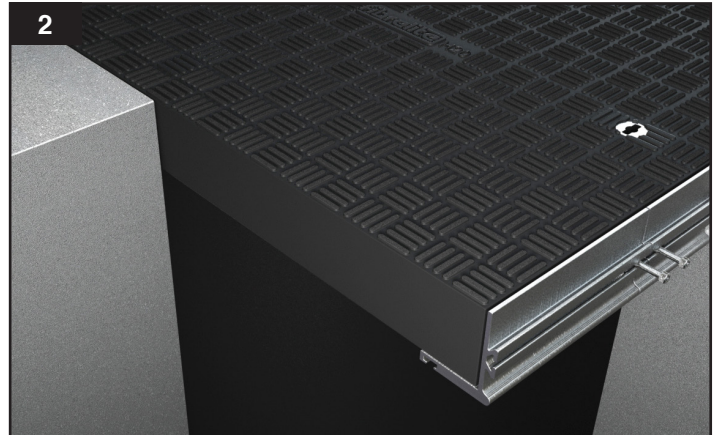


Concrete in the surrounding area to the specified thickness.

General Frame Assembly Instructions



On long stretches of trenching, gaps may occur at the frame joints to allow expansion of the frame. The gaps should be filled with 3M 540 Polyurethane Sealant (or equivalent).



When installing where concrete is to form the ends of the trench, the end covers must be positioned into the frame prior to concreting to establish the boundaries.