

INSTALLATION INSTRUCTIONS

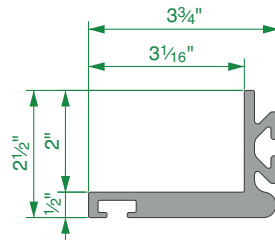
Installation of Trench Cover Framing Systems (2" and 4")

FIBRELITE

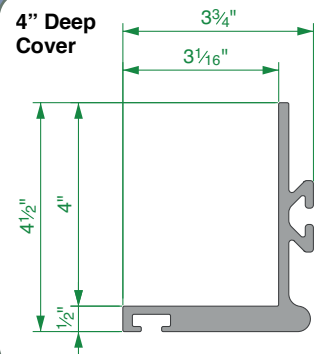
PART OF OPW a **DOVER** company

Using FL7 handles to remove and replace

2" Deep Cover



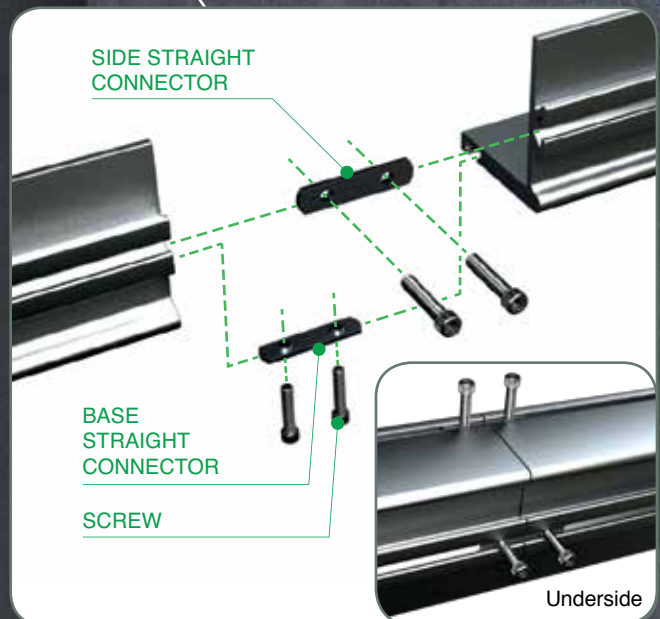
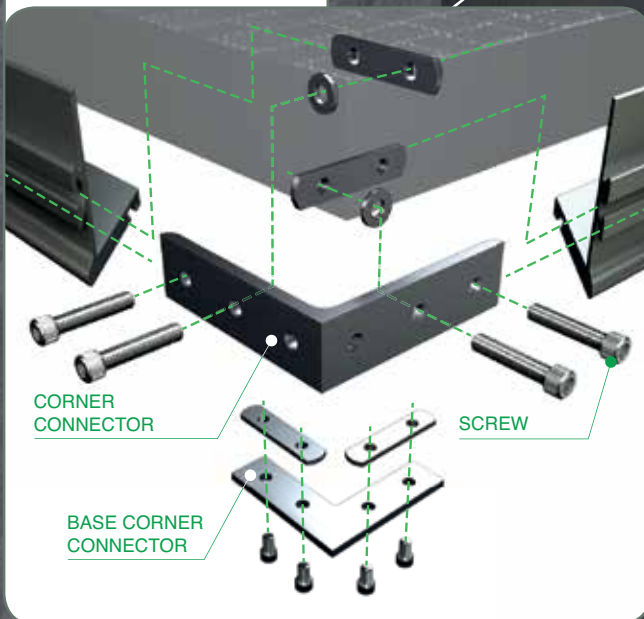
4" Deep Cover



Concrete



Underside



Underside