

INSTALLATION INSTRUCTIONS

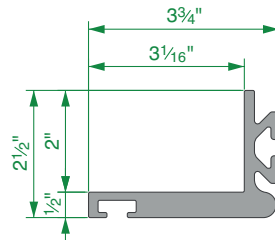
Trench Cover Frame Installation

FIBRELITE 

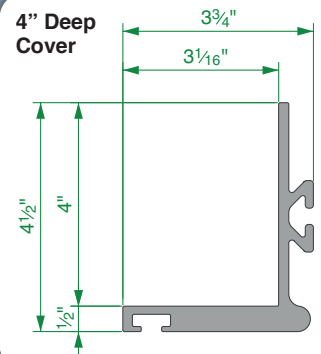
PART OF OPW a **DOVER** company

Using FL7 handles to remove and replace

2" Deep Cover



4" Deep Cover



Concrete

