

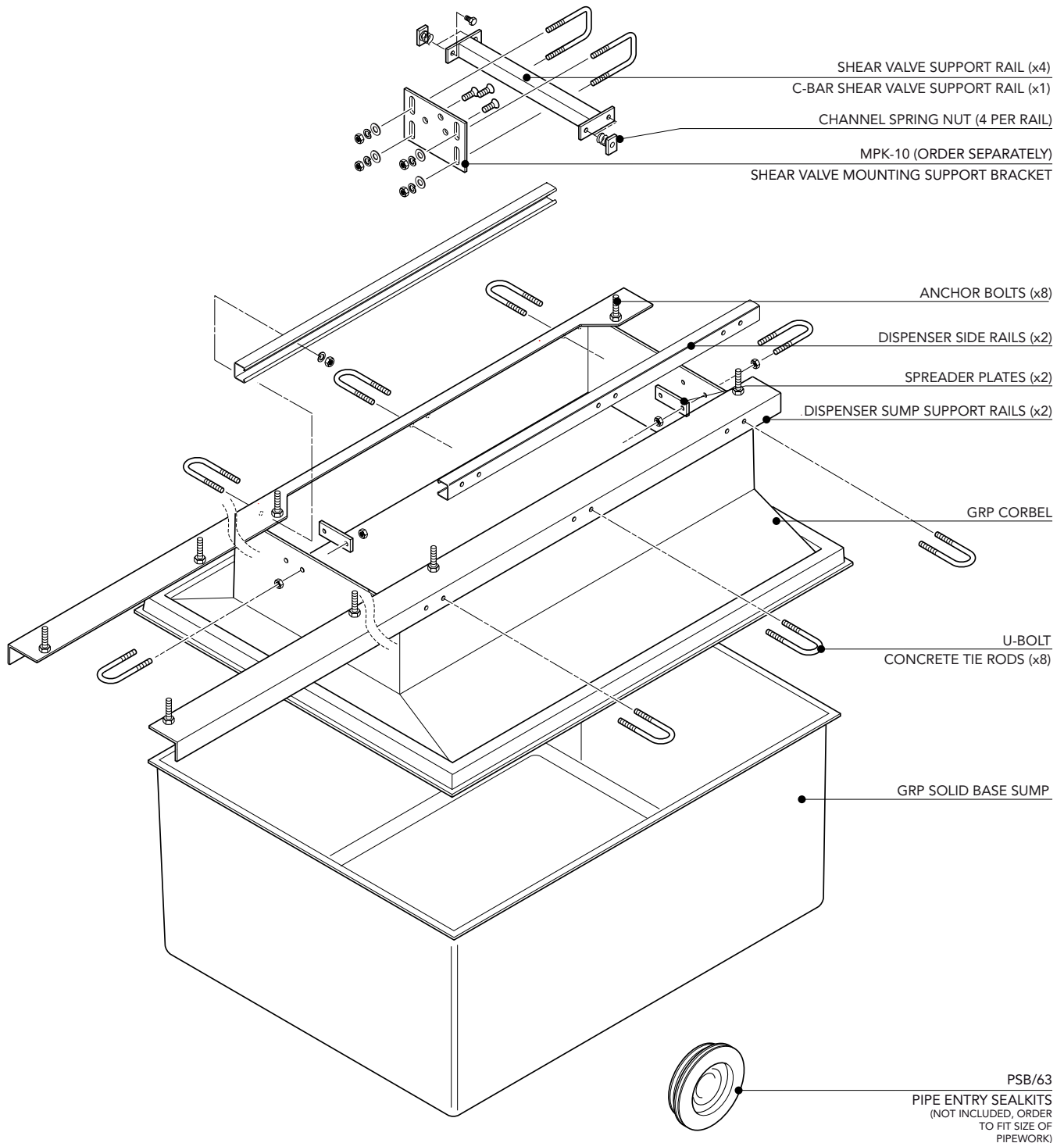
Category: **DISPENSER CHAMBERS**

Product Description: 48" x 28" GRP solid base sump and corbel to fit Tokheim Quantum Q500T LPG. Includes metal work.

Page No: **1**

Product Code: **EL/T/Q510-4/8-LPG**

Date: **April 2013**



Category: **DISPENSER CHAMBERS**

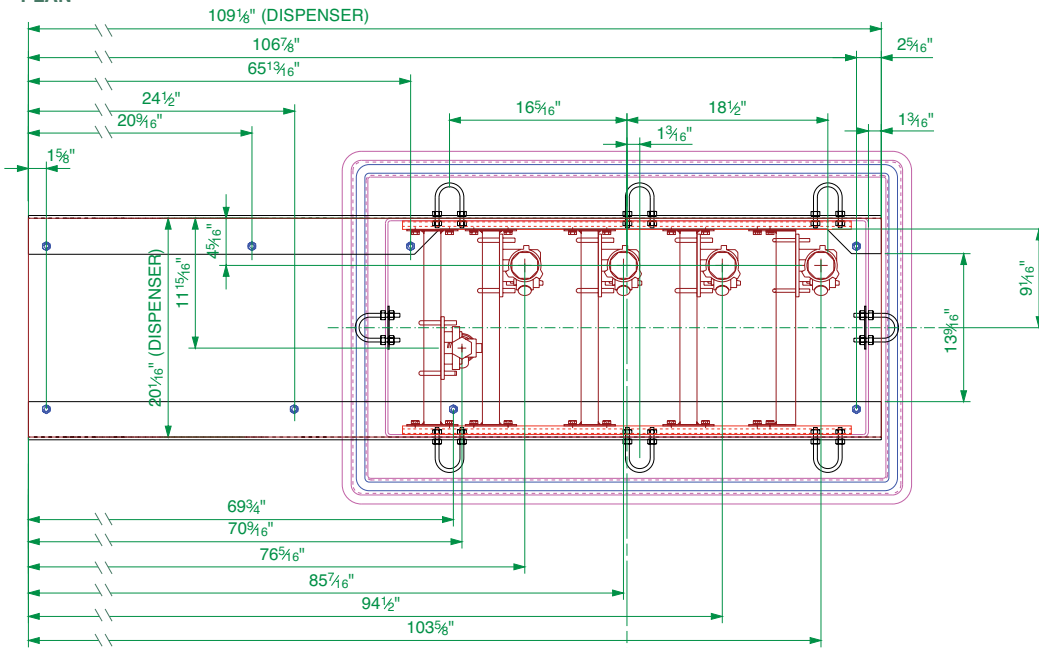
Product Description: **48" x 28" GRP solid base sump and corbel to fit Tokheim Quantum Q500T LPG. Includes metal work.**

Page No: **2**

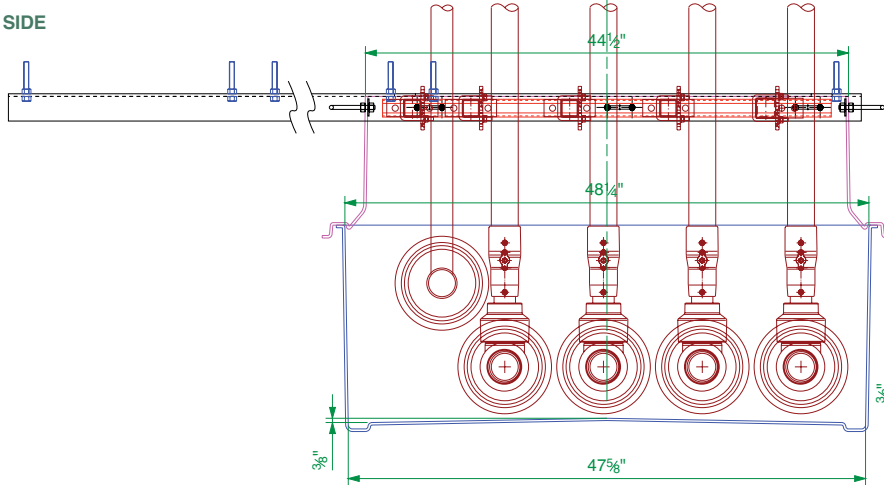
Product Code: **EL/T/Q510-4/8-LPG**

Date: **April 2013**

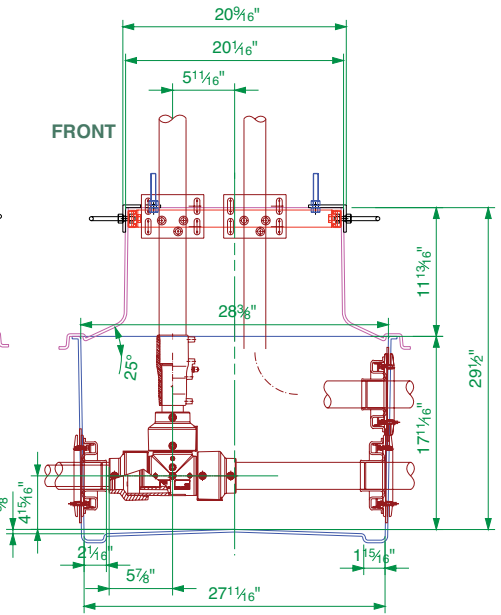
PLAN



SIDE



FRONT



Category: **DISPENSER CHAMBERS**

Product Description: **48" x 28" GRP solid base sump and corbel to fit Tokheim Quantum Q500T LPG. Includes metal work.**

Page No: **3**

Product Code: **EL/T/Q510-4/8-LPG**

Date: **April 2013**