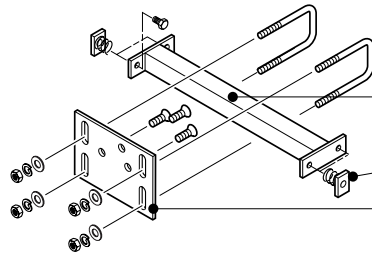


47 5/8" x 21 11/16" FRP solid base sump and corbel to fit Tokheim Quantum Q510 , 4-4, 4-8. Includes dispenser support rails, shear valve rails and all fixings.

For reference purposes only. This drawing is not a specification. Order against product code only. To enable continuous improvement of our products, the designs and specifications are subject to change without notice.

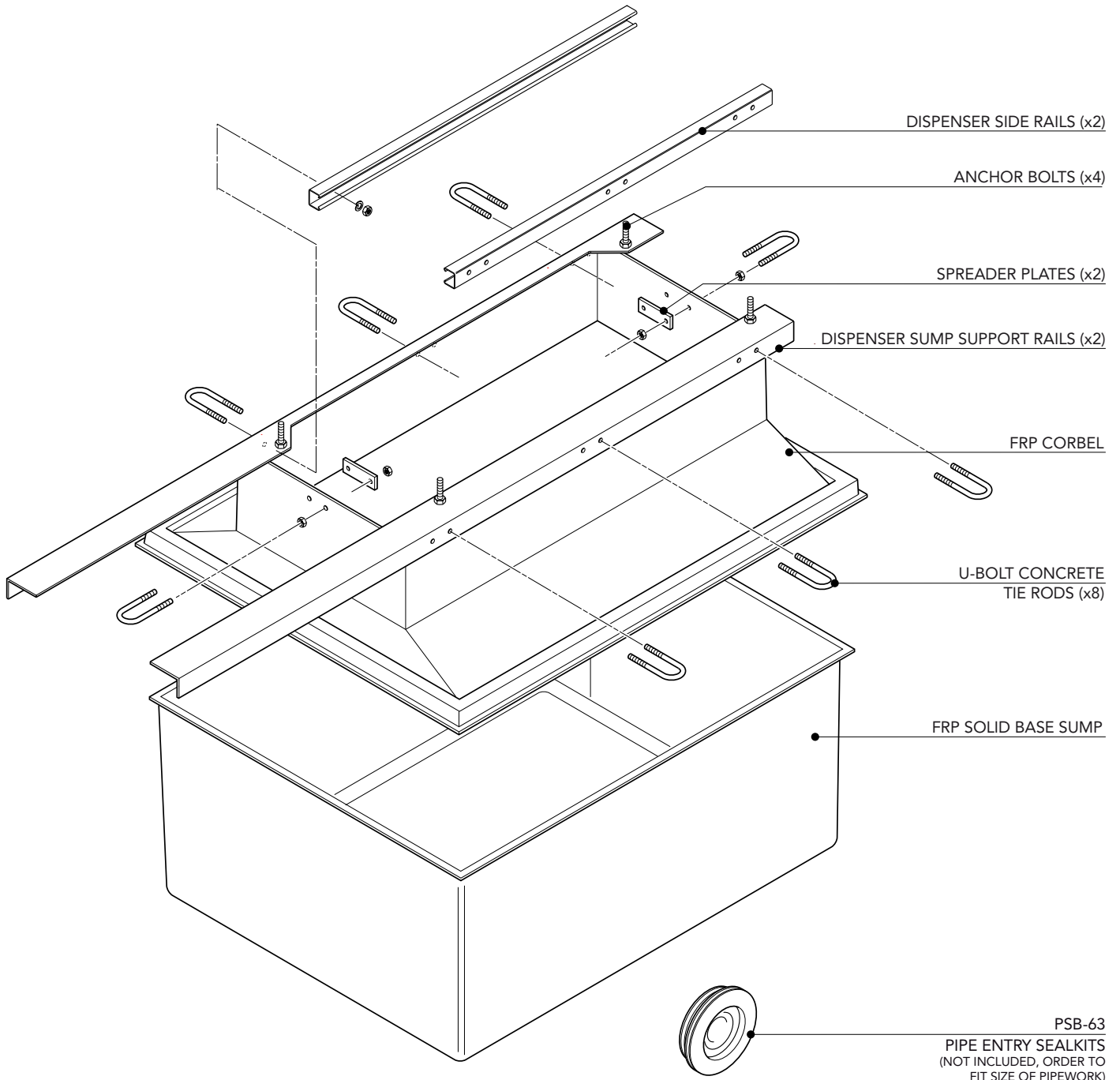
FIBRELITE 
 PART OF OPW A DOVER COMPANY



SHEAR VALVE SUPPORT RAIL (x4)
C-BAR SHEAR VALVE SUPPORT RAIL (x1)

CHANNEL SPRING NUT (4 PER RAIL)

MPK-10 (ORDER SEPARATELY)
SHEAR VALVE MOUNTING SUPPORT BRACKET



DISPENSER SIDE RAILS (x2)

ANCHOR BOLTS (x4)

SPREADER PLATES (x2)

DISPENSER SUMP SUPPORT RAILS (x2)

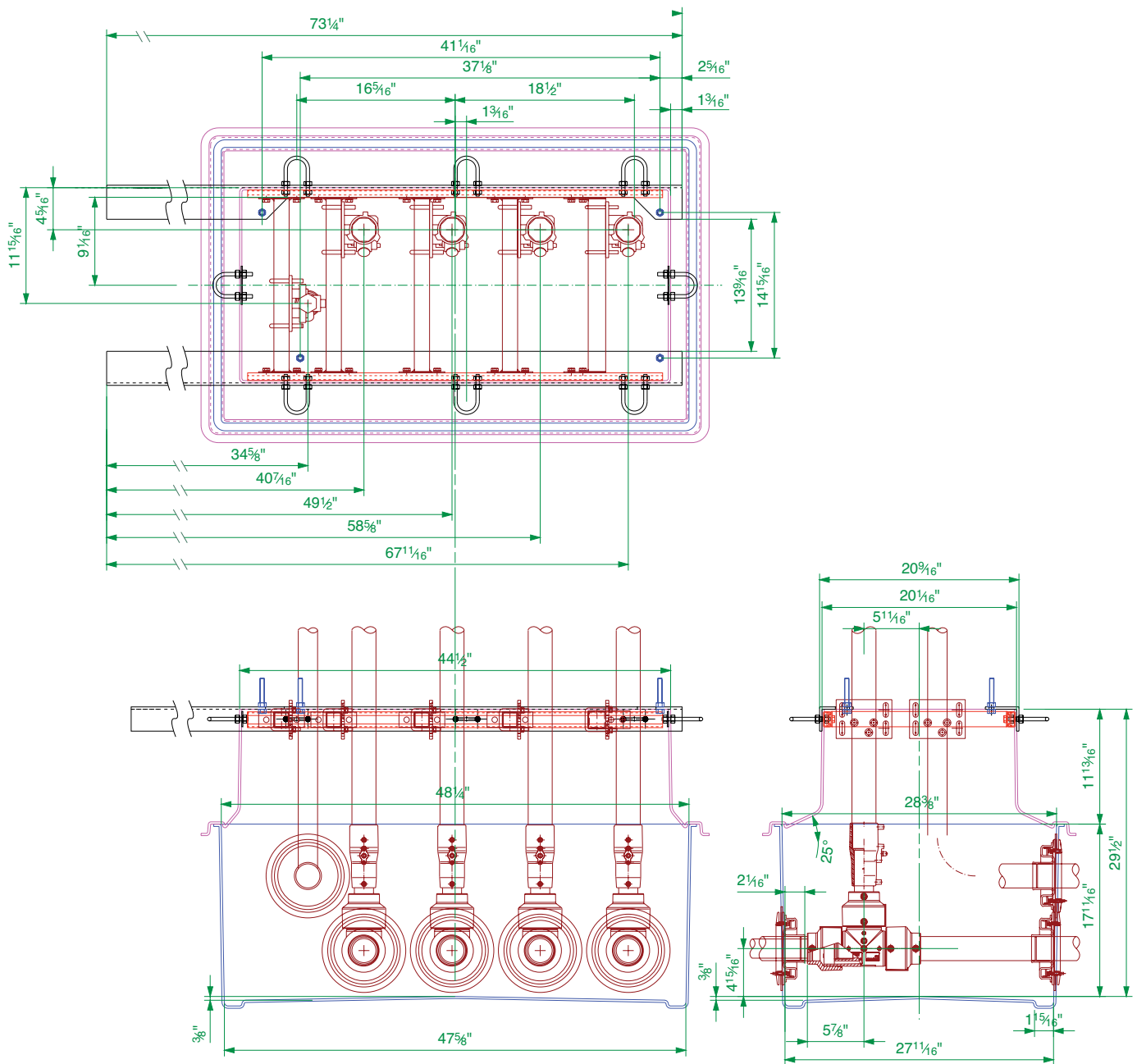
FRP CORBEL

U-BOLT CONCRETE
TIE RODS (x8)

FRP SOLID BASE SUMP



PSB-63
PIPE ENTRY SEALKITS
(NOT INCLUDED, ORDER TO
FIT SIZE OF PIPEWORK)



47 5/8" x 21 11/16" FRP solid base sump and corbel to fit Tokheim Quantum Q510 , 4-4, 4-8. Includes dispenser support rails, shear valve rails and all fixings.

For reference purposes only. This drawing is not a specification. Order against product code only. To enable continuous improvement of our products, the designs and specifications are subject to change without notice.