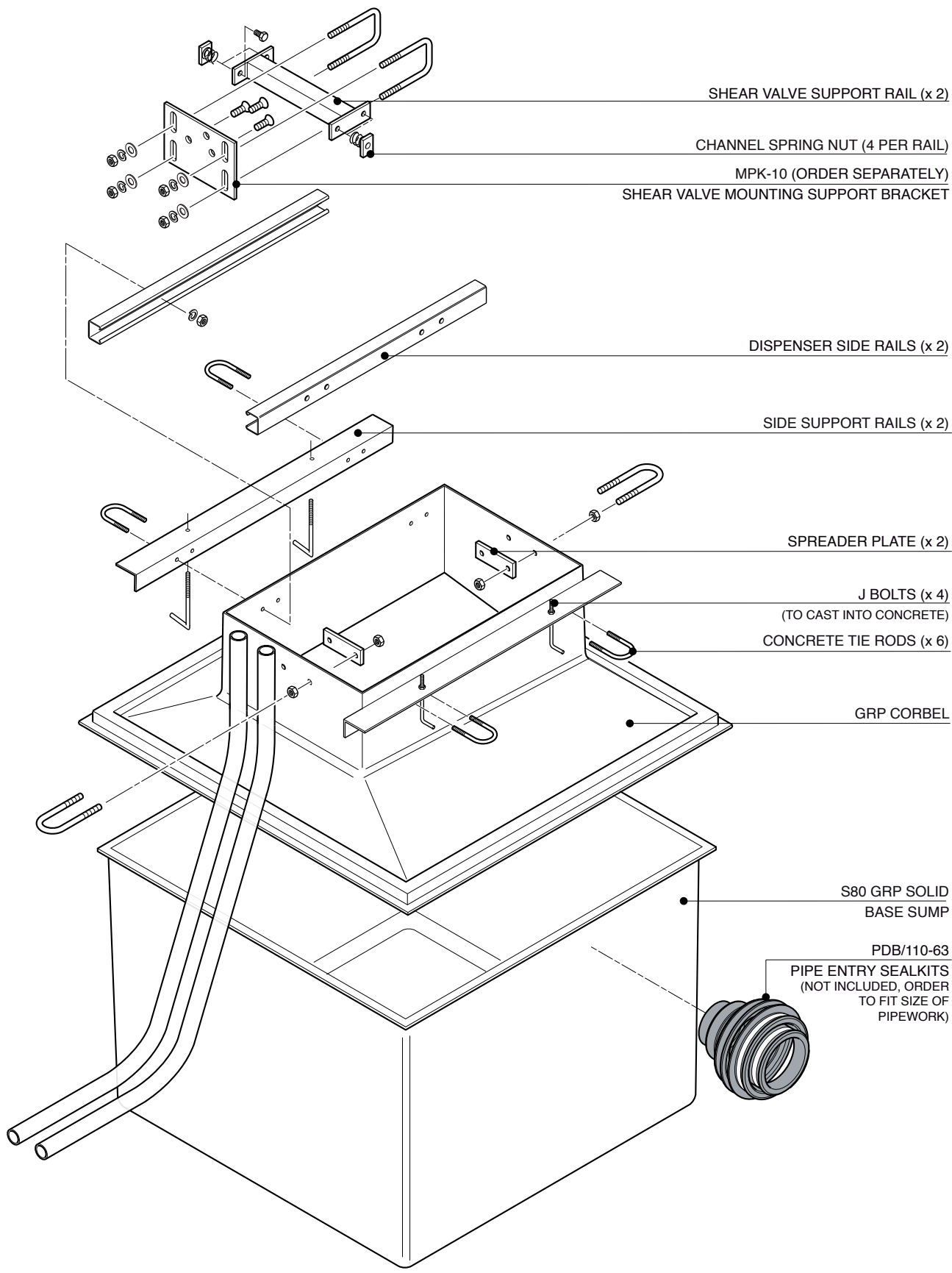


33 15/16" x 33 15/16" GRP solid base sump and corbel to fit Wayne Vista narrow body (35") models.

For reference purposes only. This drawing is not a specification. Order against product code only. To enable continuous improvement of our products, the designs and specifications are subject to change without notice.

**FIBRELITE**   
PART OF OPW A DOVER COMPANY



SHEAR VALVE SUPPORT RAIL (x 2)

CHANNEL SPRING NUT (4 PER RAIL)

MPK-10 (ORDER SEPARATELY)  
SHEAR VALVE MOUNTING SUPPORT BRACKET

DISPENSER SIDE RAILS (x 2)

SIDE SUPPORT RAILS (x 2)

SPREADER PLATE (x 2)

J BOLTS (x 4)  
(TO CAST INTO CONCRETE)  
CONCRETE TIE RODS (x 6)

GRP CORBEL

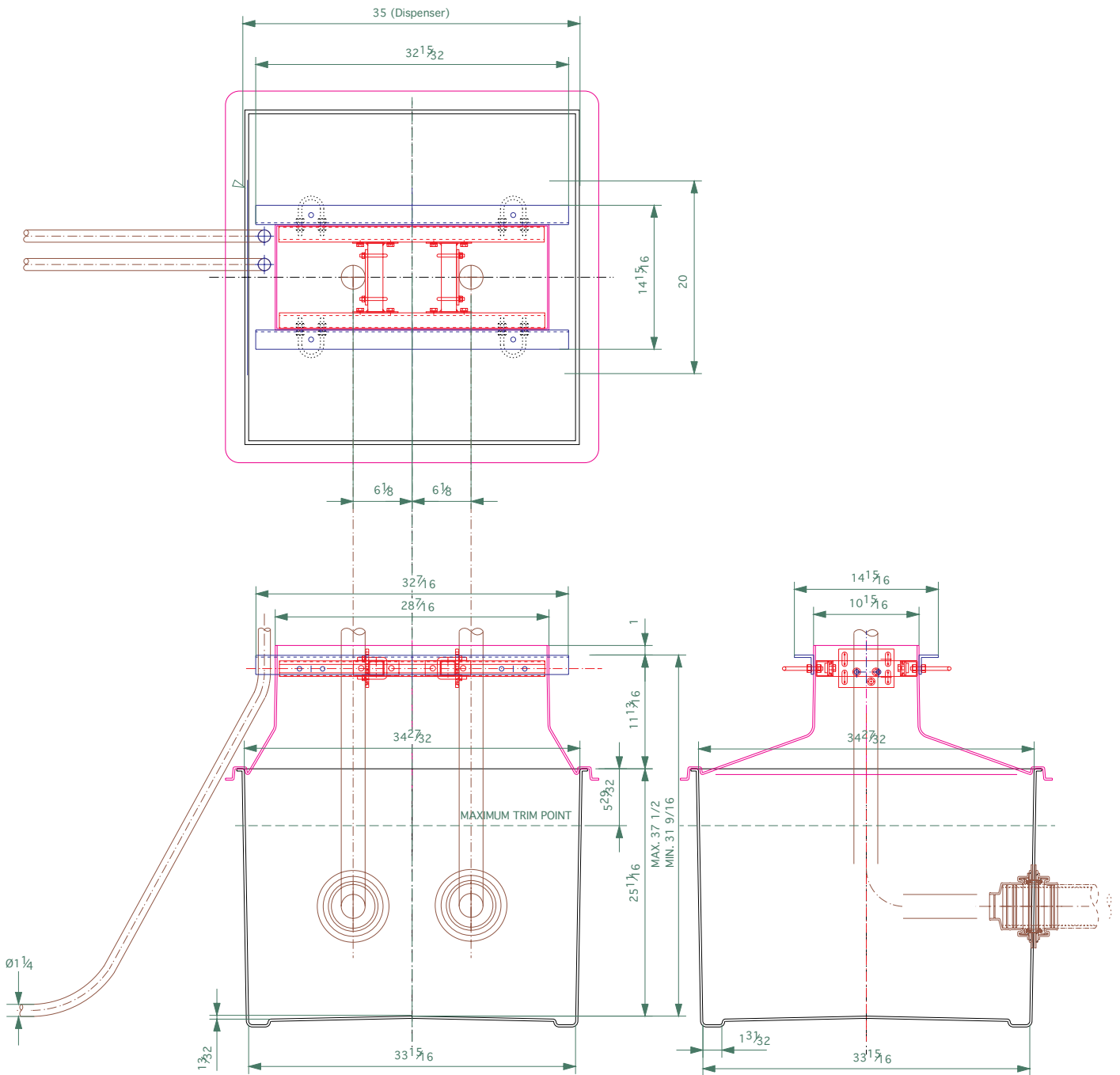
S80 GRP SOLID  
BASE SUMP

PDB/110-63  
PIPE ENTRY SEALKITS  
(NOT INCLUDED, ORDER  
TO FIT SIZE OF  
PIPEWORK)

33 15/16" x 33 15/16" GRP solid base sump and corbel to fit Wayne Vista narrow body (35") models.

For reference purposes only. This drawing is not a specification. Order against product code only. To enable continuous improvement of our products, the designs and specifications are subject to change without notice.





33 15/16" x 33 15/16" GRP solid base sump and corbel to fit Wayne Vista narrow body (35") models.

For reference purposes only. This drawing is not a specification. Order against product code only. To enable continuous improvement of our products, the designs and specifications are subject to change without notice.

**FIBRELITE**   
PART OF OPW A DOVER COMPANY