

Manway adaptor plate for 47 1/4" diameter base chamber (S8).

For reference purposes only. This drawing is not a specification. Order against product code only. To enable continuous improvement of our products, the designs and specifications are subject to change without notice.

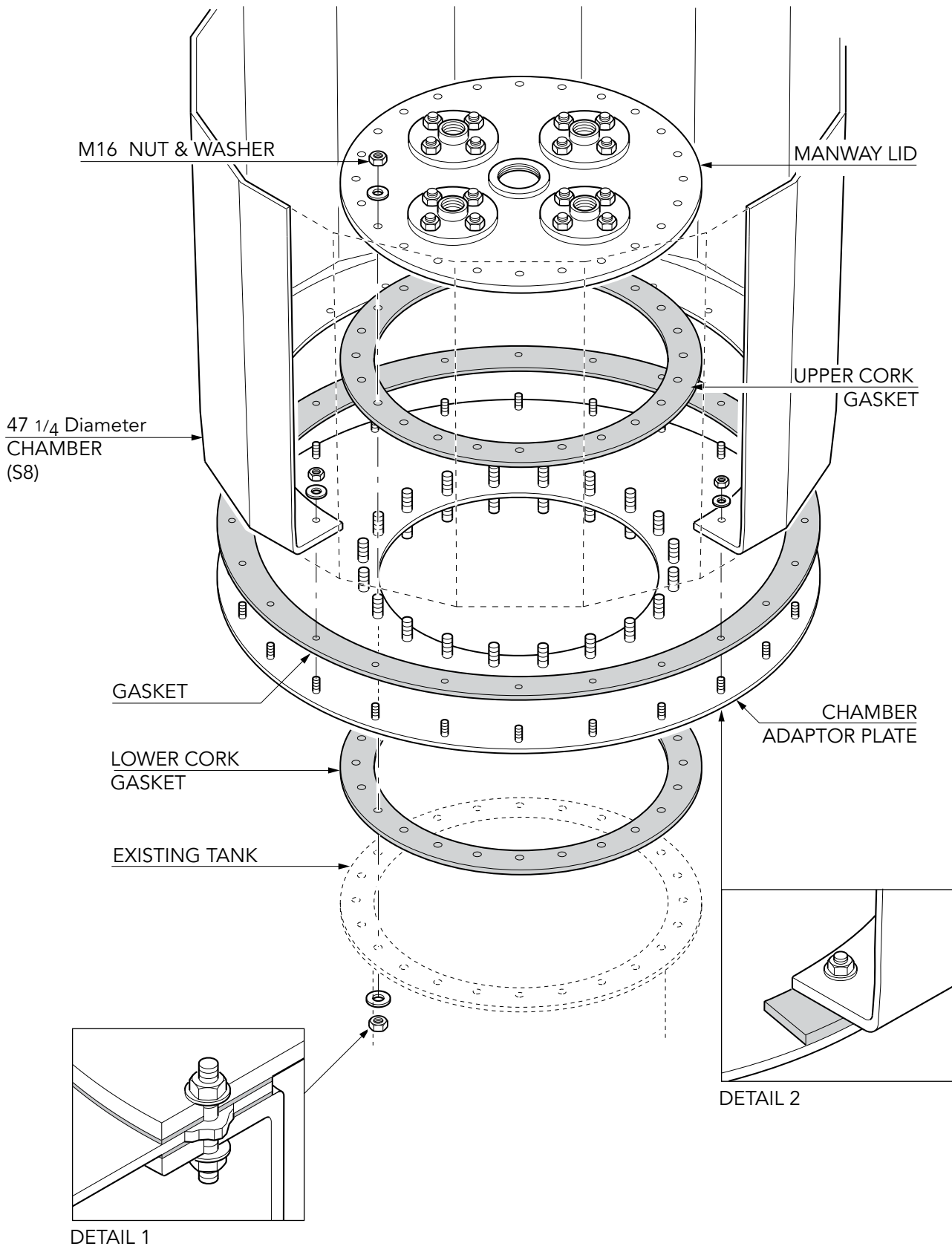
FIBRELITE 
PART OF OPW A DOVER COMPANY

EMMAS-S8-1-5

Issue: 12/06/2016

Page: 1 of 3

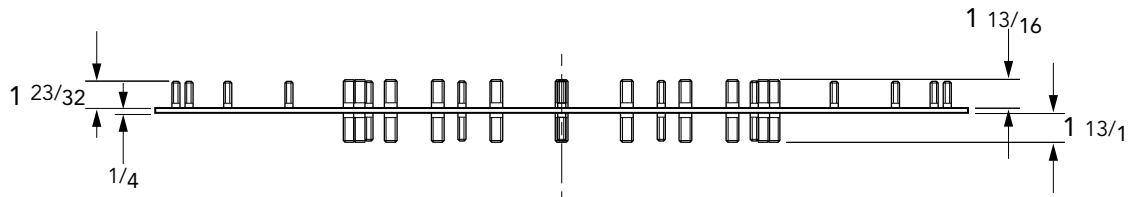
© Copyright



Manway adaptor plate for 47 1/4" diameter base chamber (S8).

For reference purposes only. This drawing is not a specification. Order against product code only. To enable continuous improvement of our products, the designs and specifications are subject to change without notice.

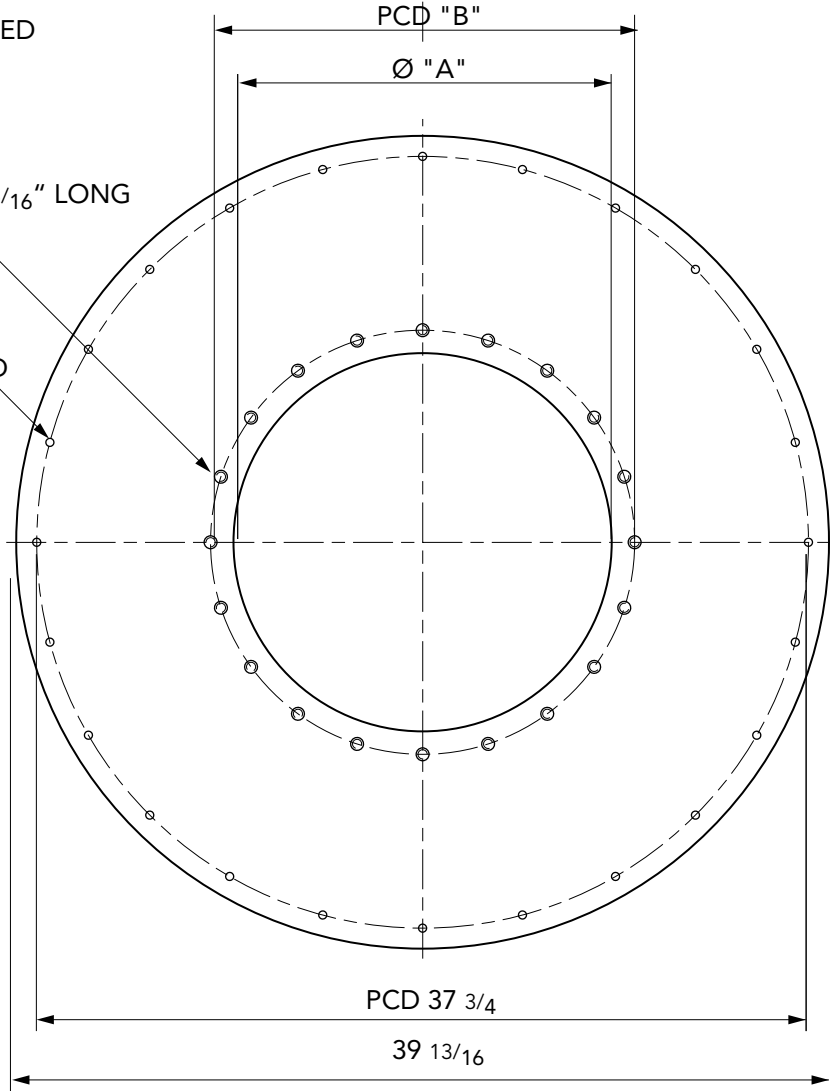




MATERIAL STEEL, ZINC PLATED

"C" QUANTITY OF M14 x 1 13/16" LONG STEEL STUDS EQUI-SPACED ON PCD "B"

24 X M10 X 1 3/4" LONG STEEL STUDS ON 37 3/4" PCD



DIMENSIONS A, B & C TO BE DETERMINED BY SPECIFIC INSTALLATION

Item	Nominal Size	Dimensions		
		A	B	C
1	18"	18 1/2"	20 3/4"	25/32"
2	18"	18 1/2"	20 7/8"	5/8"
3	24"	23 5/8"	26 3/4"	1 15/16"
4	24"	24"	26 3/4"	1 3/32"
5	24"	24"	26 3/4"	1 1/4"