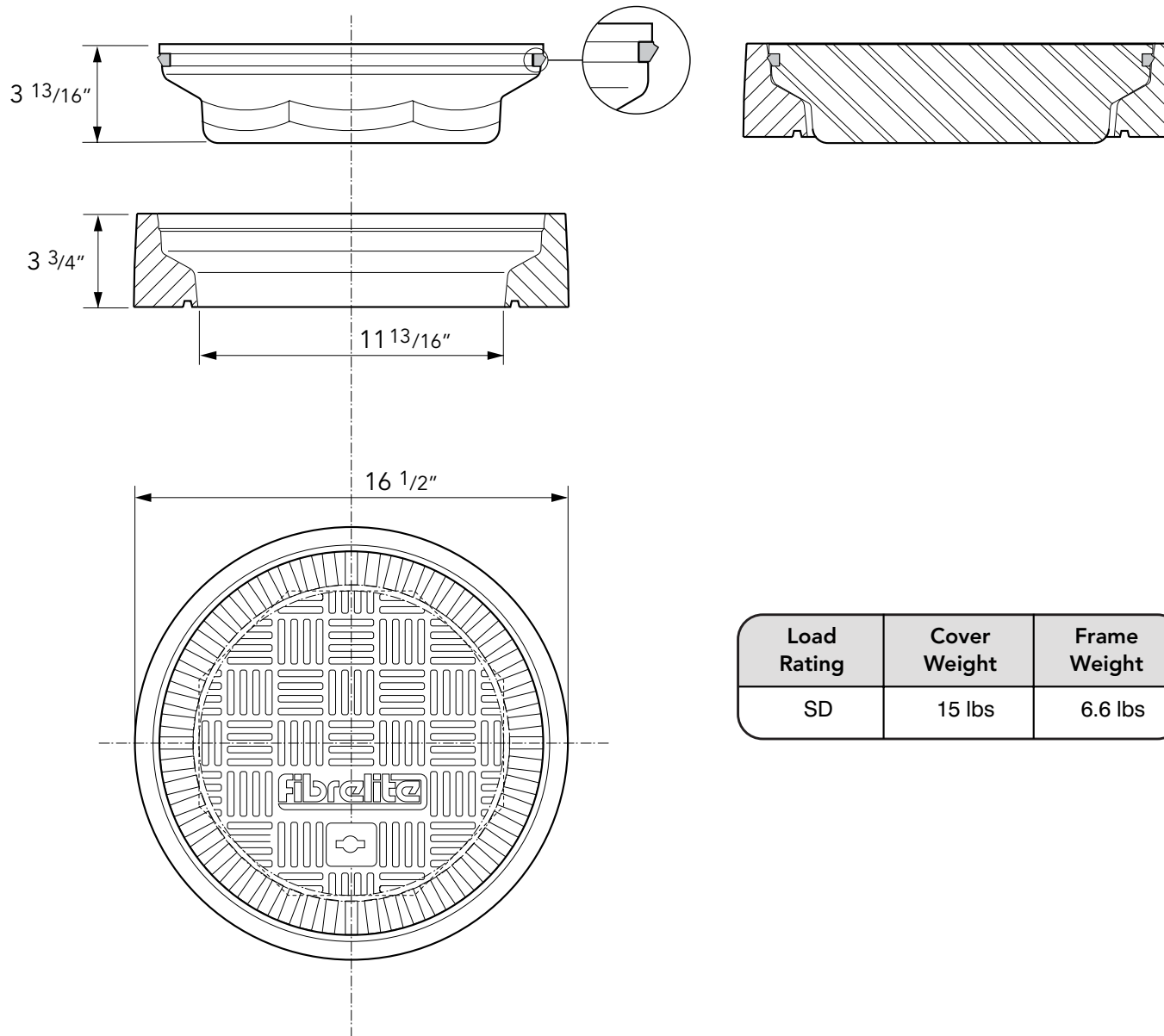


12" diameter watertight flat sealed cover with composite frame. Temperature and chemical resistant. Designed for steam applications.

For reference purposes only. This drawing is not a specification. Order against product code only. To enable continuous improvement of our products, the designs and specifications are subject to change without notice.

FIBRELITE 
PART OF OPW A  COMPANY



12" diameter watertight flat sealed cover with composite frame. Temperature and chemical resistant. Designed for steam applications.

For reference purposes only. This drawing is not a specification. Order against product code only. To enable continuous improvement of our products, the designs and specifications are subject to change without notice.

FIBRELITE 
PART OF OPW A DOVER COMPANY

CONCRETE

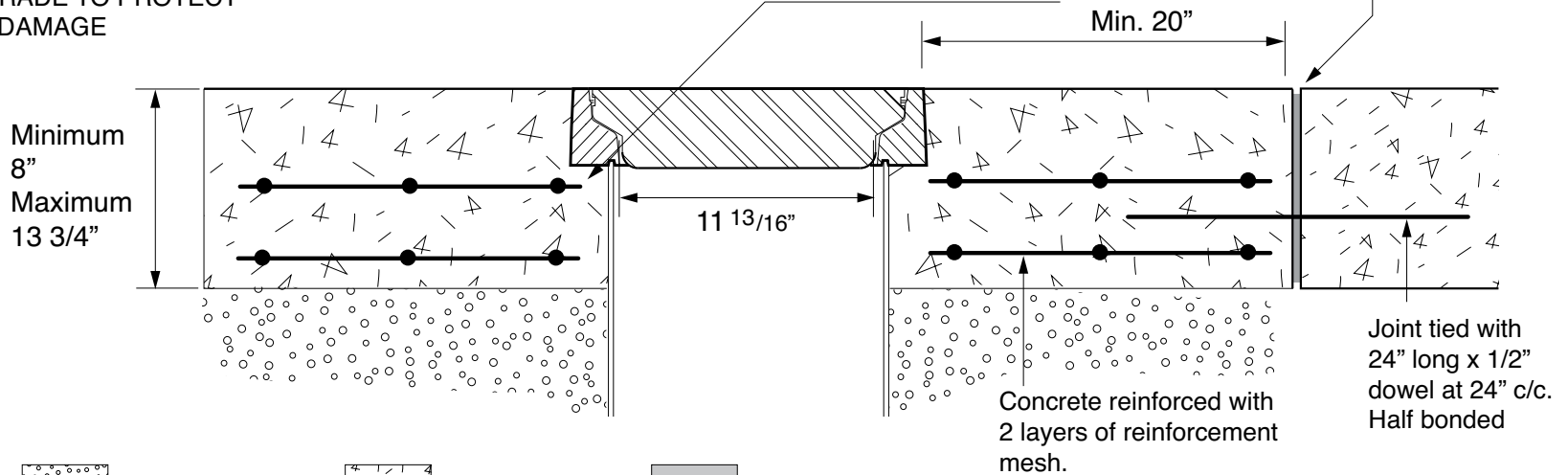
VERY IMPORTANT

FRAMES MUST BE INSTALLED FLUSH WITH FINISHED GRADE OR SET SLIGHTLY BELOW FINISHED GRADE TO PROTECT FROM SNOWFLOW DAMAGE

VERY IMPORTANT

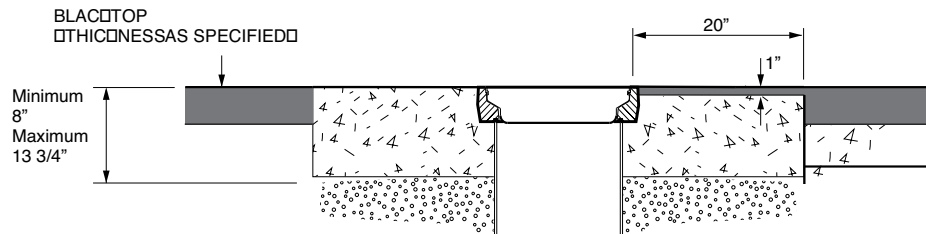
The underside of the frame must be adequately supported by concrete.

Expansion Joint filled with silicone sealant or equivalent.

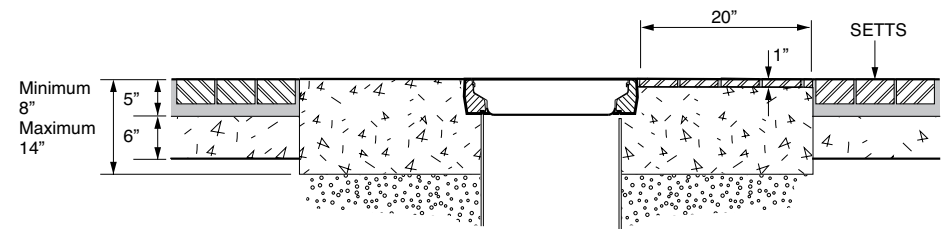


BLACKTOP
 PEA GRAVEL
 CONCRETE
 SAND

BLACKTOP



SETTS / BRICK VENEER



12" diameter watertight flat sealed cover with composite frame. Temperature and chemical resistant. Designed for steam applications.

For reference purposes only. This drawing is not a specification. Order against product code only. To enable continuous improvement of our products, the designs and specifications are subject to change without notice.

