

FL75 COVER

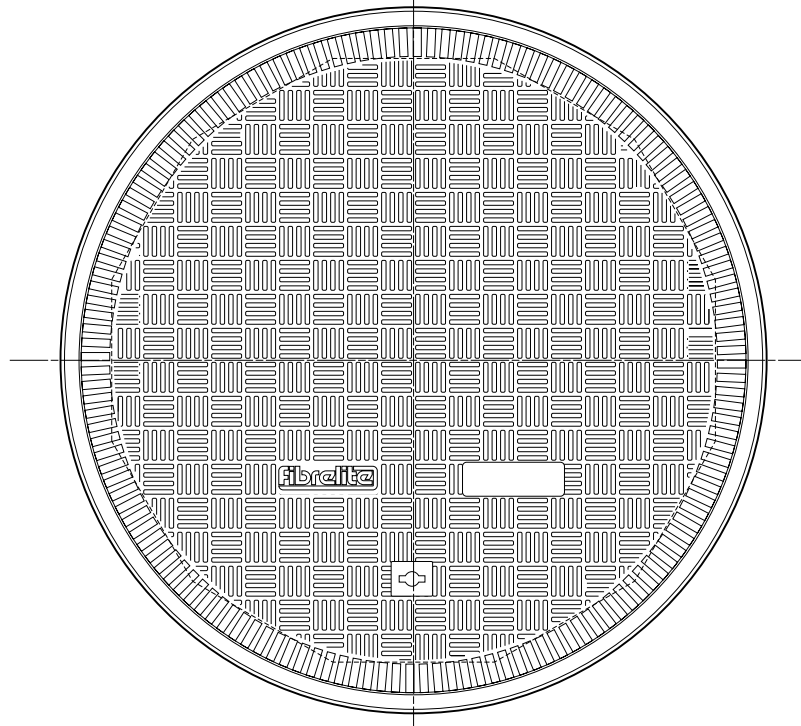
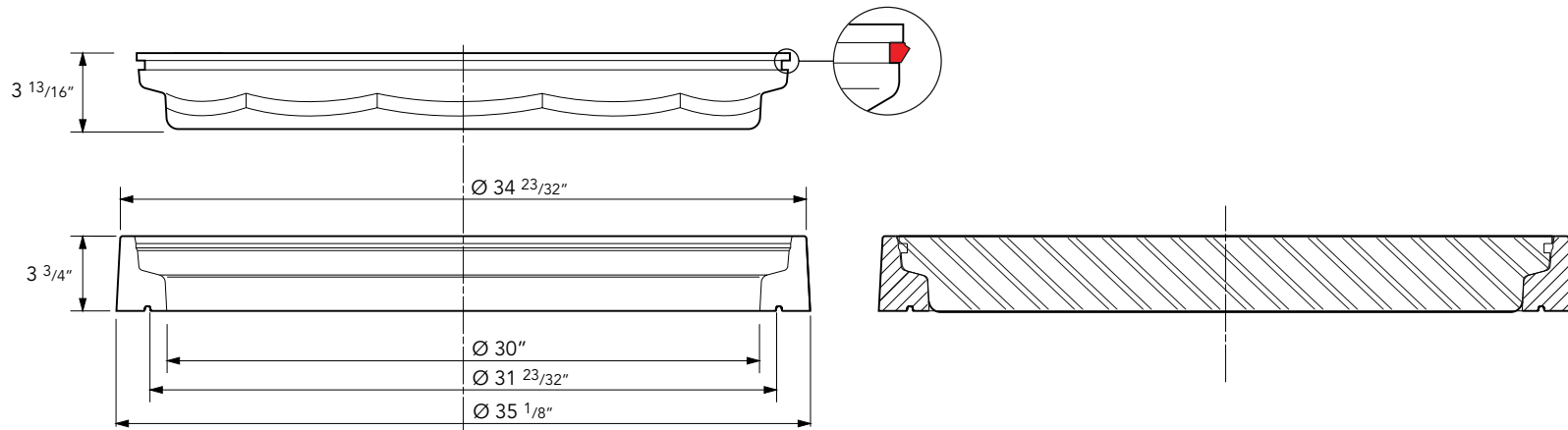
SEAL

FL75 FRAME

30" flat sealed composite cover and composite frame. Temperature and chemical resistant. Designed for steam applications.

For reference purposes only. This drawing is not a specification. Order against product code only. To enable continuous improvement of our products, the designs and specifications are subject to change without notice.

**FIBRELITE**   
PART OF OPW A  DOVER COMPANY



Load Rating	Cover Weight	Frame Weight
Standard Duty	58 lbs	17 lbs
Heavy Duty	89 lbs	89 lbs

30" flat sealed composite cover and composite frame. Temperature and chemical resistant. Designed for steam applications.

For reference purposes only. This drawing is not a specification. Order against product code only. To enable continuous improvement of our products, the designs and specifications are subject to change without notice.



# CONCRETE

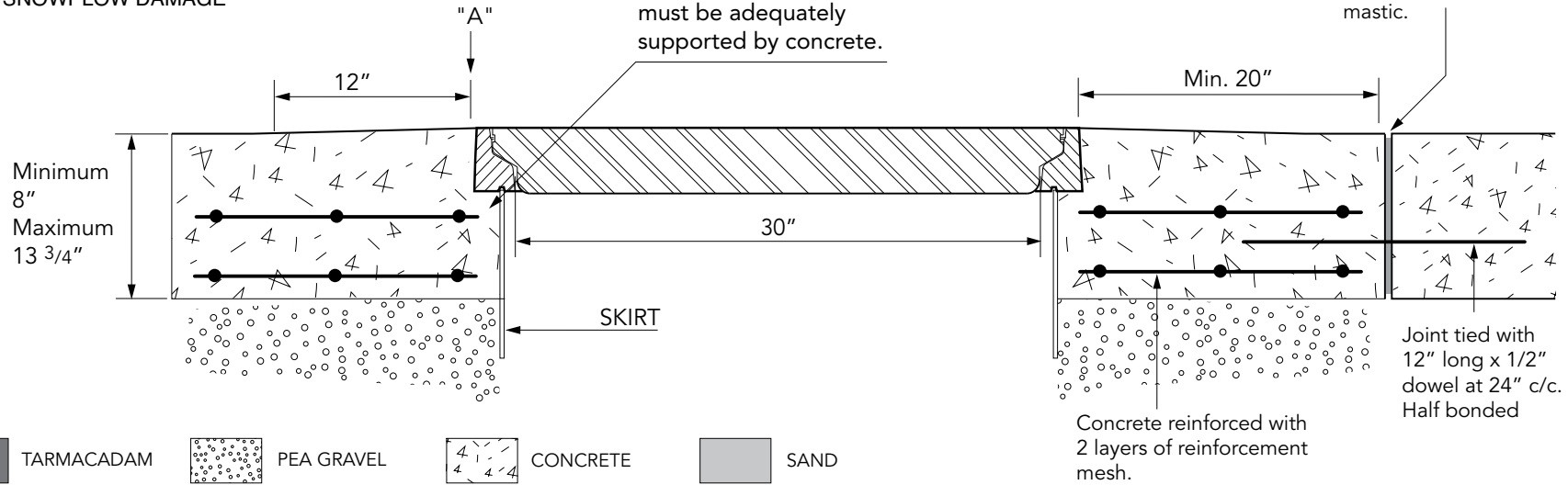
## VERY IMPORTANT

FRAMES MUST BE INSTALLED FLUSH WITH FINISHED GRADE OR SET SLIGHTLY BELOW FINISHED GRADE TO PROTECT FROM SNOWPLOW DAMAGE

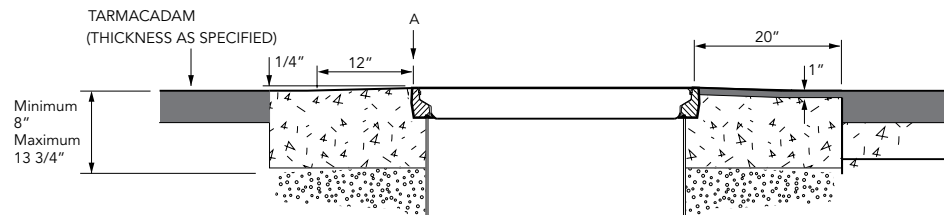
**VERY IMPORTANT**  
To allow for drainage, Fibrelite recommends that the concrete be sloped away from the top outer edge of the frame (A) a minimum of 1/2" over a 12" distance. Do not expose the top outer edge of the frame (A) – the concrete pad must be flush with the top outer edge of the frame.

## VERY IMPORTANT

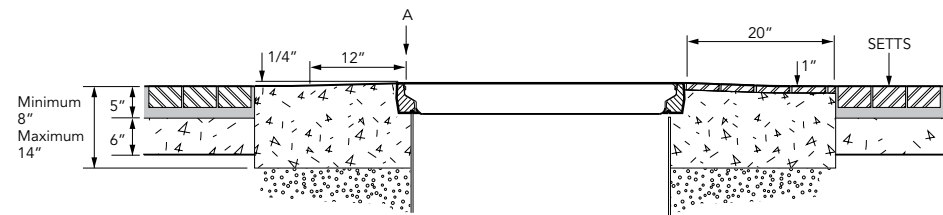
The underside of the frame must be adequately supported by concrete.



## TARMACADAM



## SETTS



30" flat sealed composite cover and composite frame. Temperature and chemical resistant. Designed for steam applications.

For reference purposes only. This drawing is not a specification. Order against product code only. To enable continuous improvement of our products, the designs and specifications are subject to change without notice.

