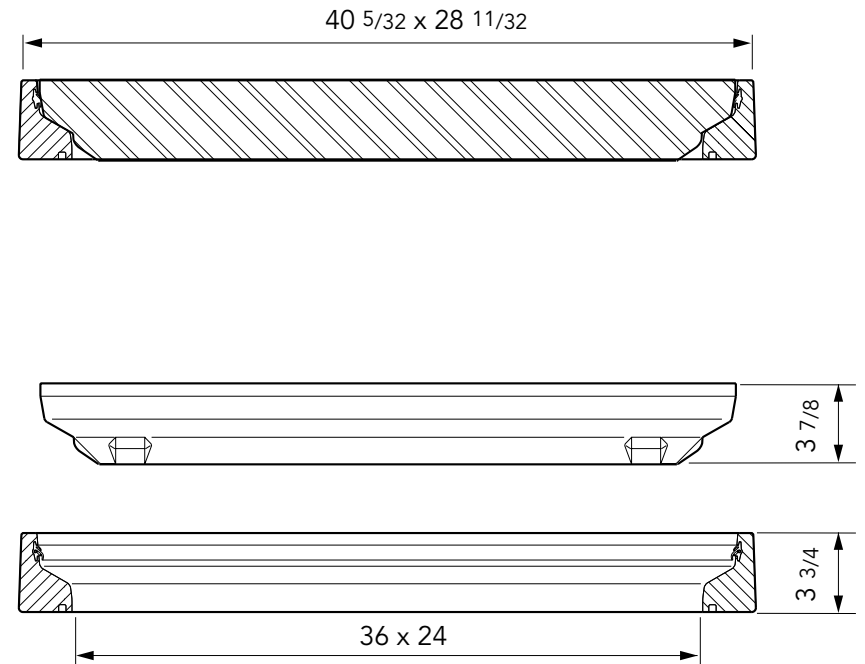
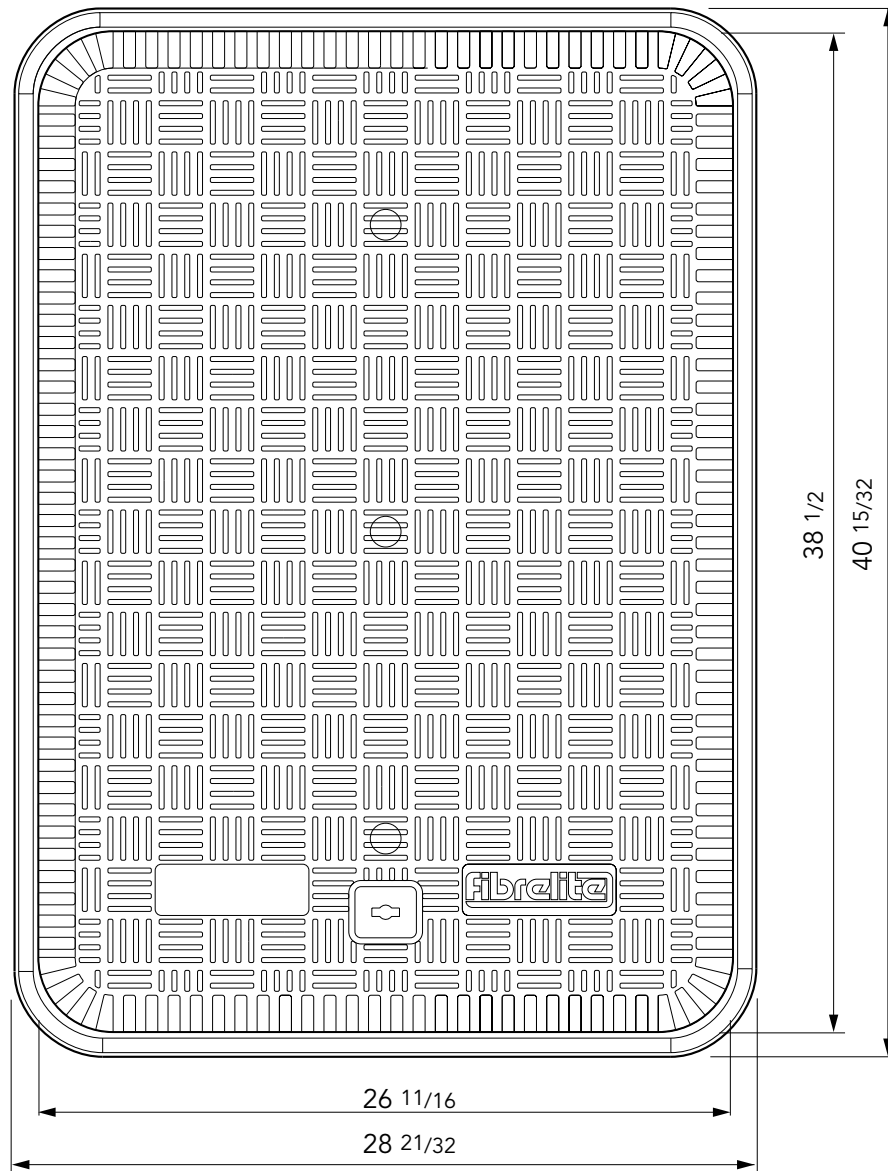




36" x 24" flat sealed composite cover with aluminum frame. Temperature and chemical resistant. Designed for steam applications.

For reference purposes only. This drawing is not a specification. Order against product code only. To enable continuous improvement of our products, the designs and specifications are subject to change without notice.

**FIBRELITE**   
PART OF OPW A  COMPANY



Load Rating	Cover Weight	Frame Weight
SD	60 lbs	24 lbs

36" x 24" flat sealed composite cover with aluminum frame. Temperature and chemical resistant. Designed for steam applications.

For reference purposes only. This drawing is not a specification. Order against product code only. To enable continuous improvement of our products, the designs and specifications are subject to change without notice.



# CONCRETE

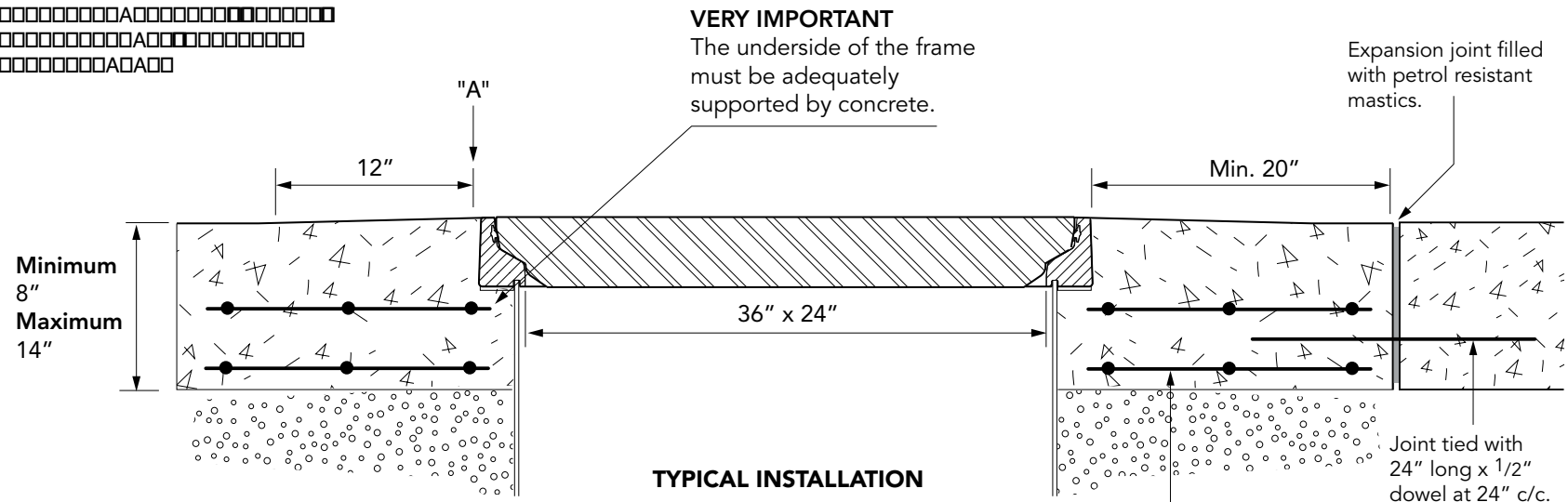
**! VERY IMPORTANT !**

To allow for drainage, Fibrelite recommends that the concrete be sloped away from the top outer edge of the frame (A) a minimum of 1/2" over a 12" distance. Do not expose the top outer edge of the frame (A) – the concrete pad must be flush with the top outer edge of the frame.

**! !**

## VERY IMPORTANT

□□□□□□□□□□ □□□□□□□□□□□□□□□□□□  
 □□□□□□□□□□□□□□□□□□□□□□□□□□□□□  
 □□□□□□□□□□□□□□□□□□□□□□□□□□□□□  
 □□□□□□□□□□□□□□□□□□□□□□□□□□□□□

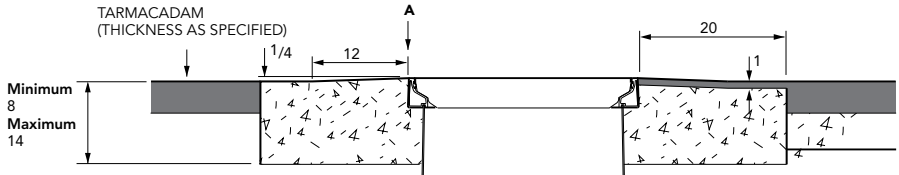


**TYPICAL INSTALLATION**

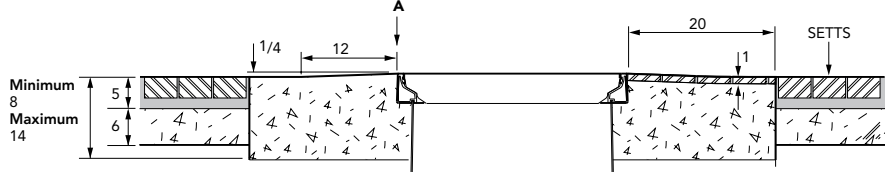
TARMACADAM
  PEA GRAVEL
  CONCRETE
  SAND

Concrete reinforced with 2 layers of reinforcement mesh.

## TARMACADAM



## SETTS



36" x 24" flat sealed composite cover with aluminum frame. Temperature and chemical resistant. Designed for steam applications.

For reference purposes only. This drawing is not a specification. Order against product code only. To enable continuous improvement of our products, the designs and specifications are subject to change without notice.

