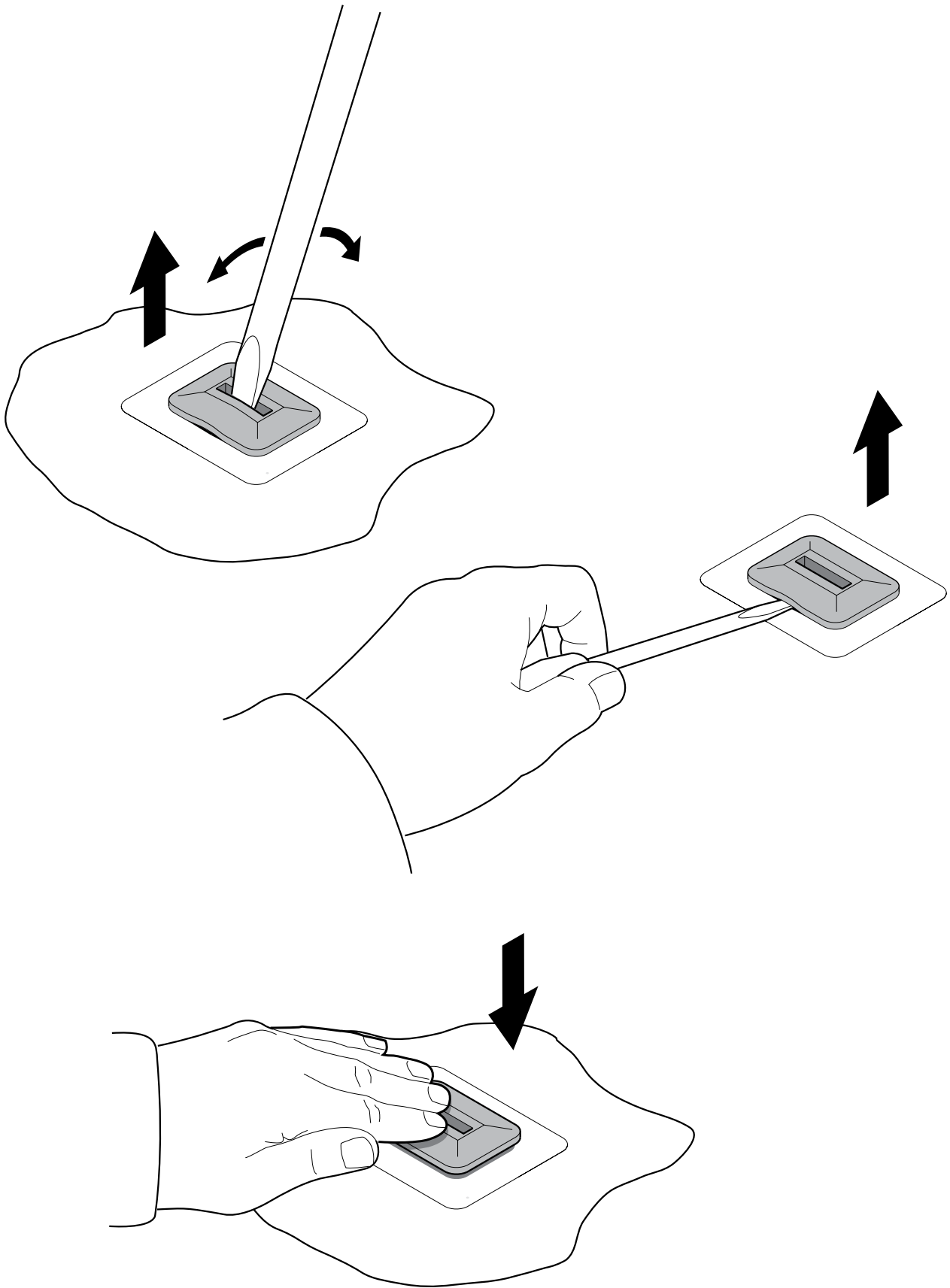


Watertight key housing rubber plug.

For reference purposes only. This drawing is not a specification. Order against product code only. To enable continuous improvement of our products, the designs and specifications are subject to change without notice.

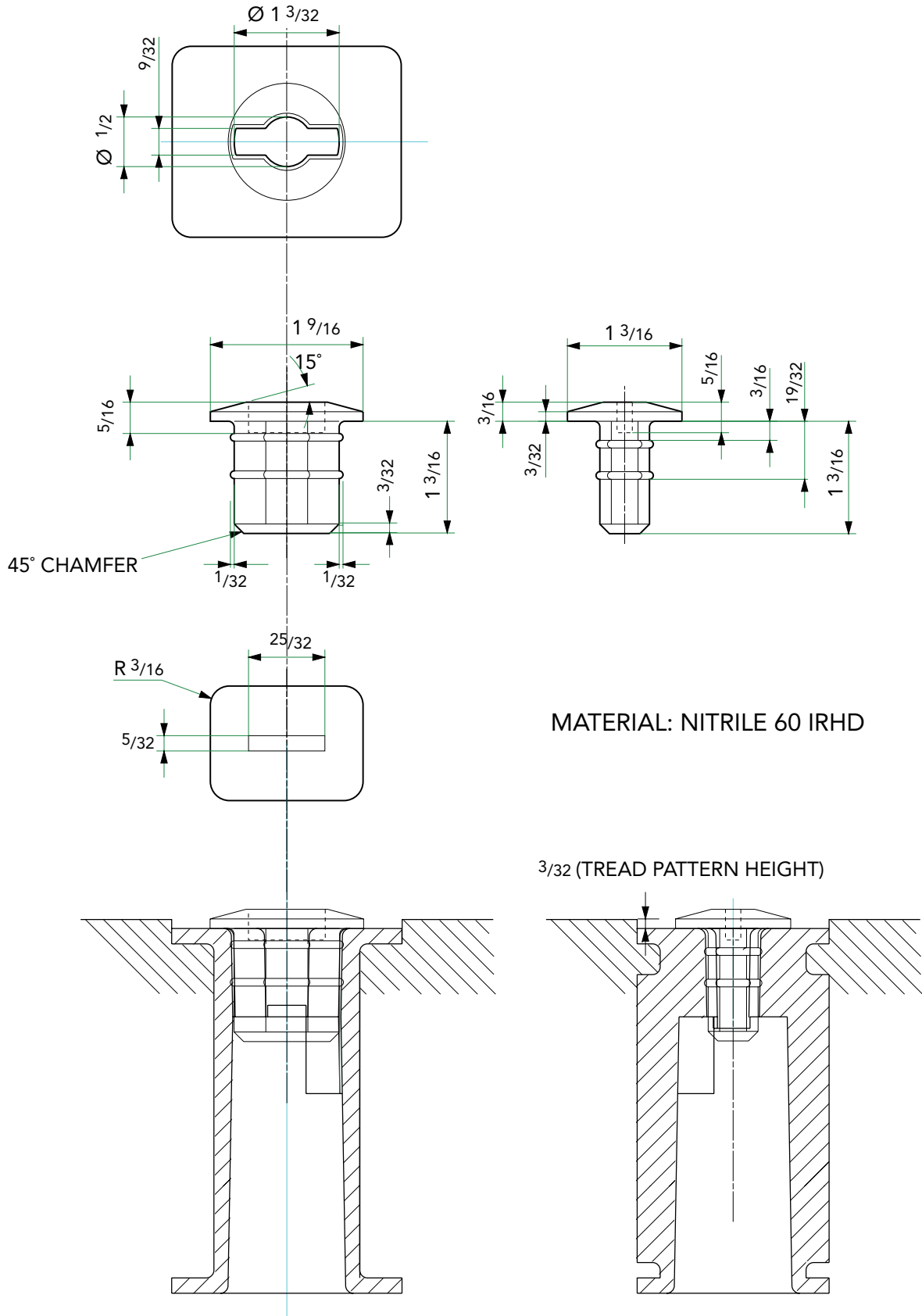
FIBRELITE 
PART OF OPW A DOVER COMPANY



Watertight key housing rubber plug.

For reference purposes only. This drawing is not a specification. Order against product code only. To enable continuous improvement of our products, the designs and specifications are subject to change without notice.





MATERIAL: NITRILE 60 IRHD

$\frac{3}{32}$ (TREAD PATTERN HEIGHT)