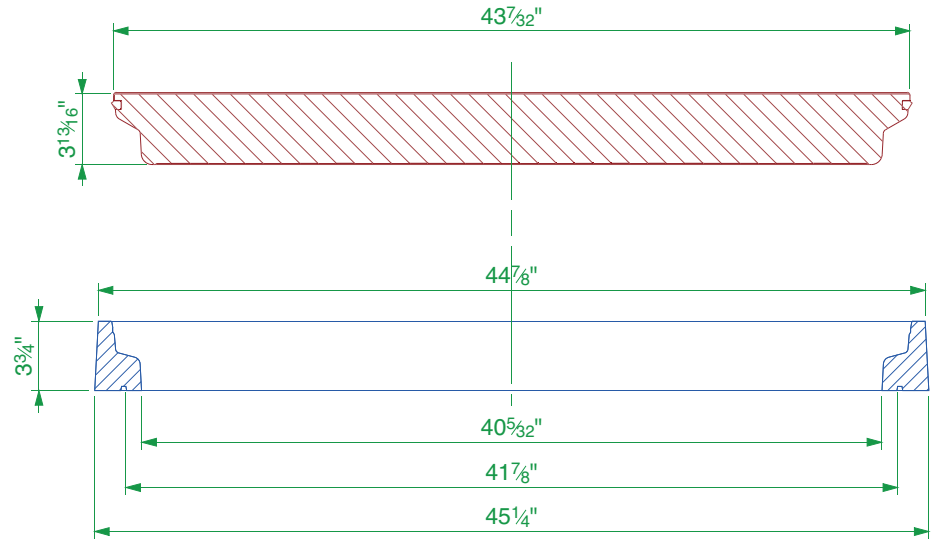
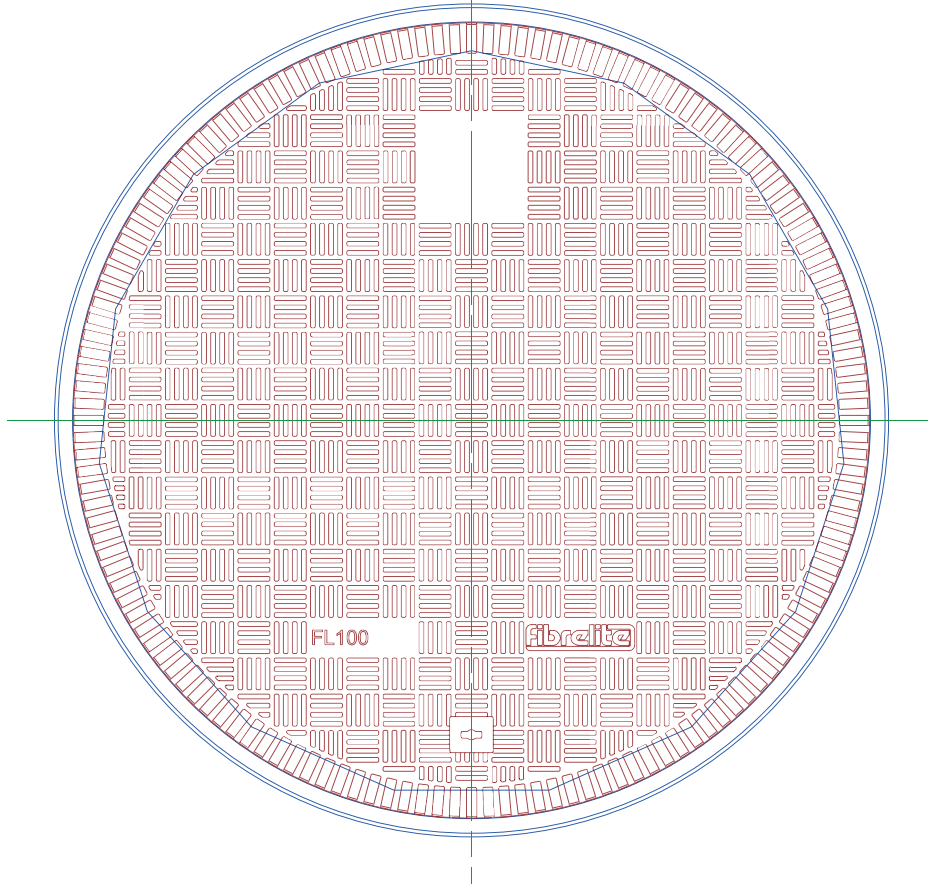
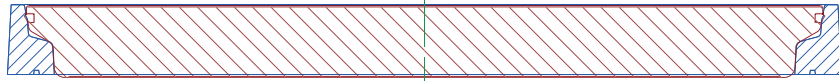




40" diameter flat sealed composite cover and frame.

For reference purposes only. This drawing is not a specification. Order against product code only. To enable continuous improvement of our products, the designs and specifications are subject to change without notice.

FIBRELITE 
PART OF OPW A  DOVER COMPANY



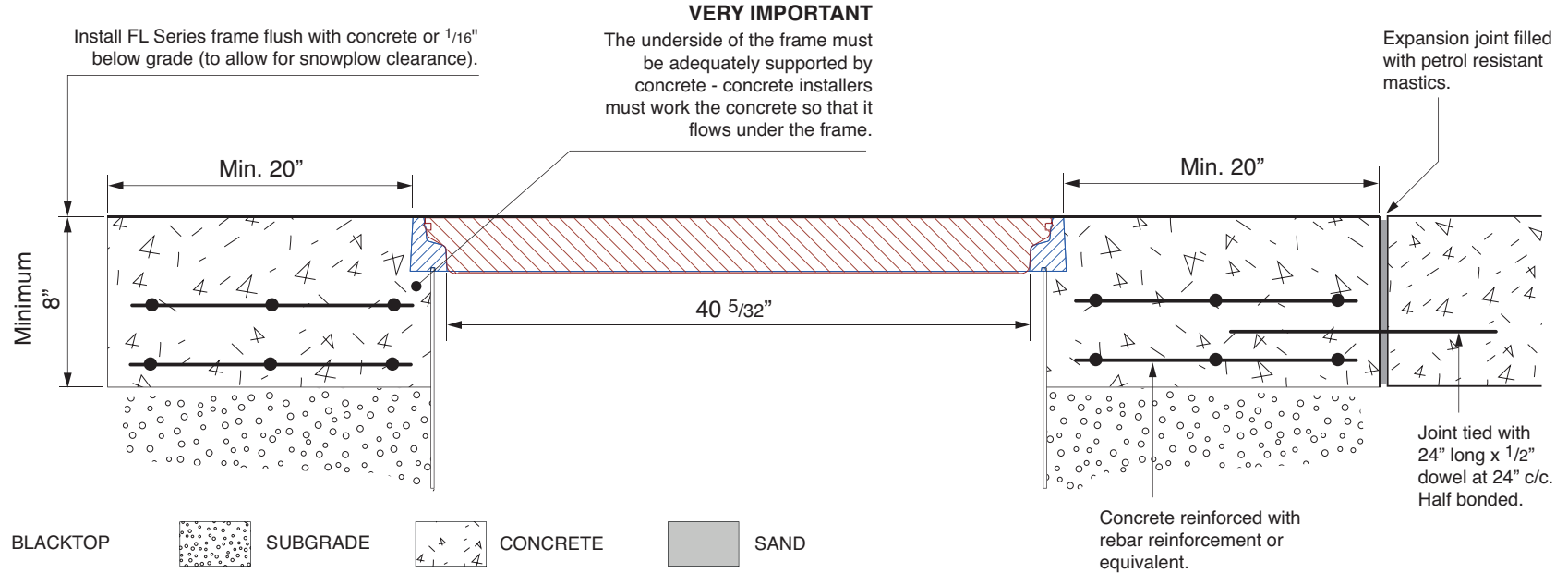
| FIBRELITE COVER TYPE | LOAD RATING | TEST LOAD | POUNDS/FORCE | COVER WEIGHT |
|----------------------|-------------|-----------|--------------|--------------|
| Light Duty (LD) | B125 | 125 kN | 28,000 | -- |
| Standard Duty (SD) | C250/H20 | 250 kN | 56,000 | 103.6 lbs |
| Heavy Duty (HD) | D400/H25 | 400 kN | 89,000 | 134.5 lbs |

40" diameter flat sealed composite cover and frame.

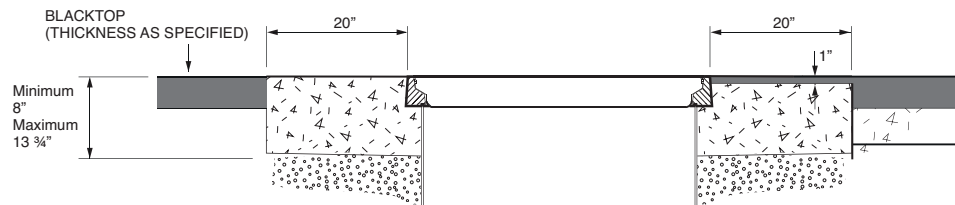
For reference purposes only. This drawing is not a specification. Order against product code only. To enable continuous improvement of our products, the designs and specifications are subject to change without notice.



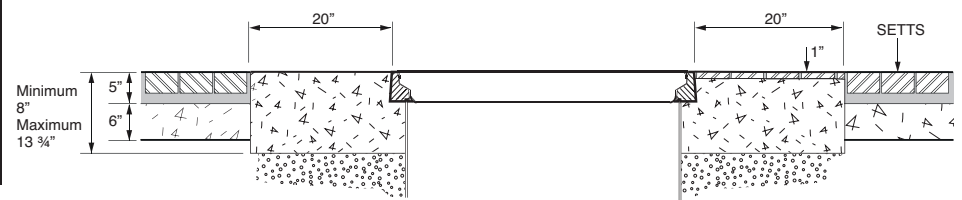
CONCRETE



BLACKTOP



PAVING STONES / BRICKWORK



40" diameter flat sealed composite cover and frame.

For reference purposes only. This drawing is not a specification. Order against product code only. To enable continuous improvement of our products, the designs and specifications are subject to change without notice.

