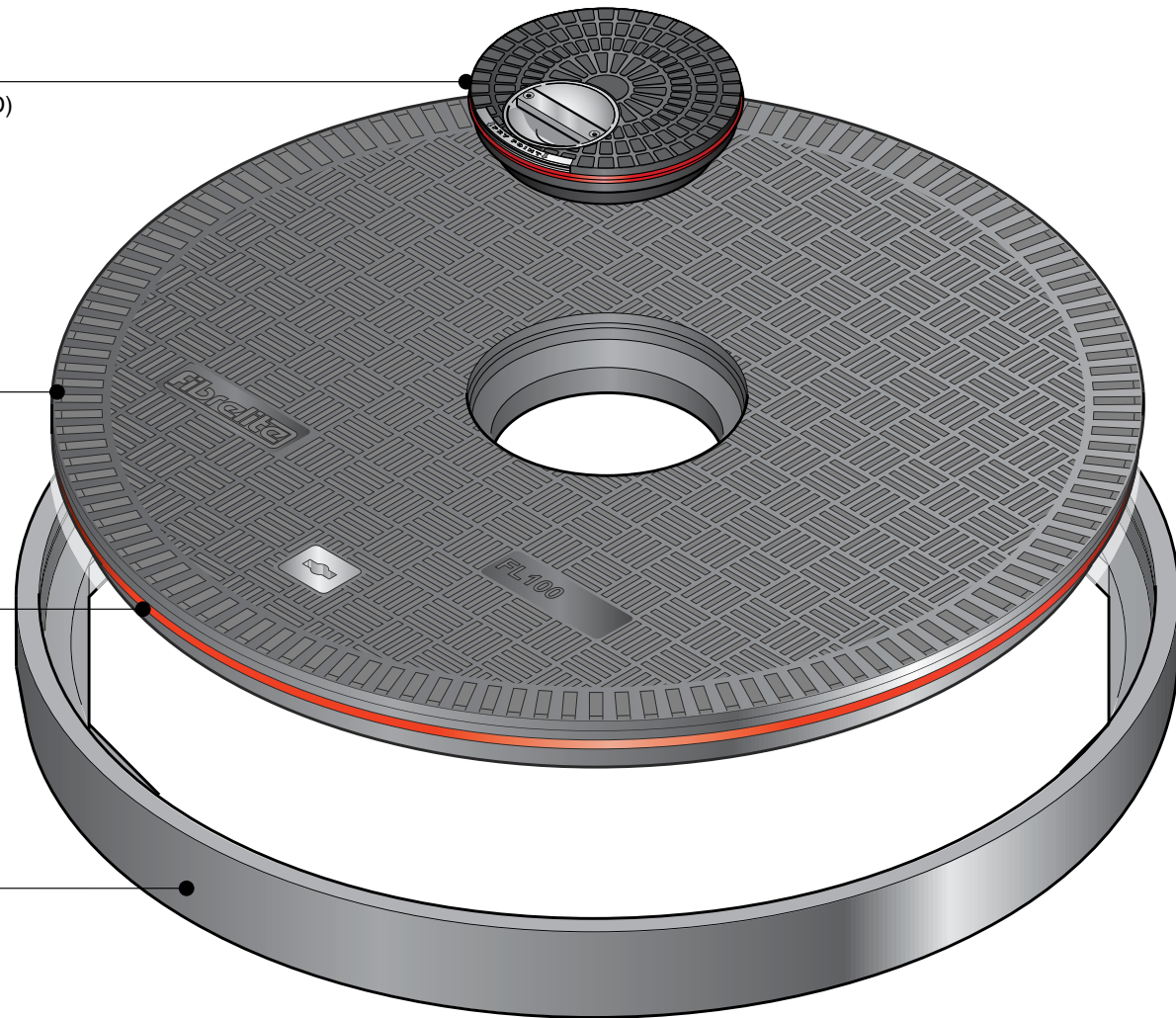


FC-10 SEALED DIP COVER
(AVAILABLE COLOR CODED)

FL100□CD COVER

SEAL

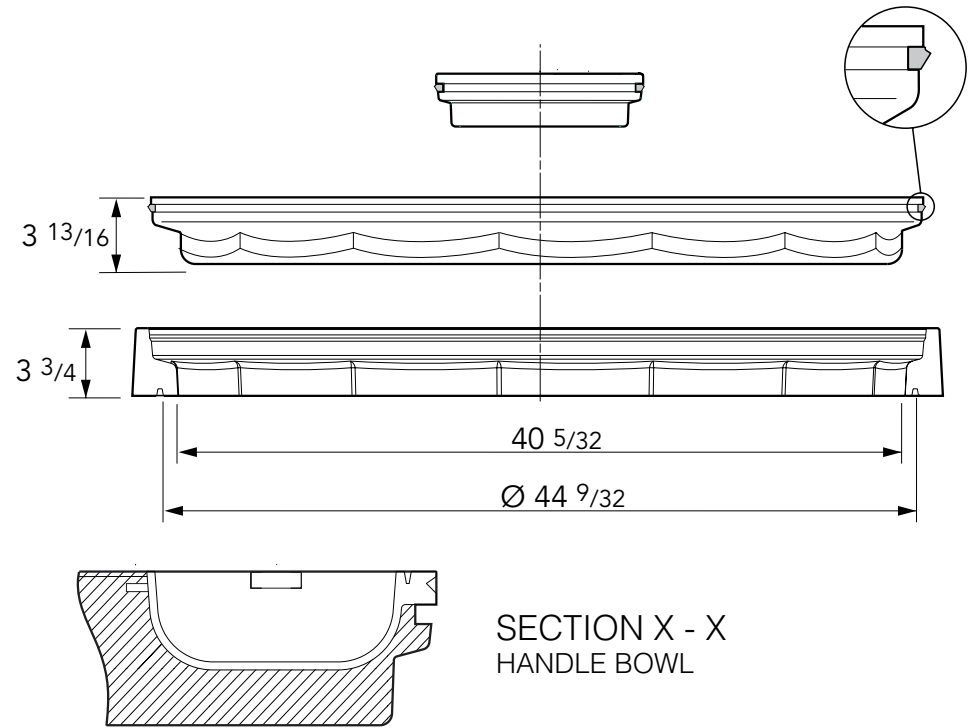
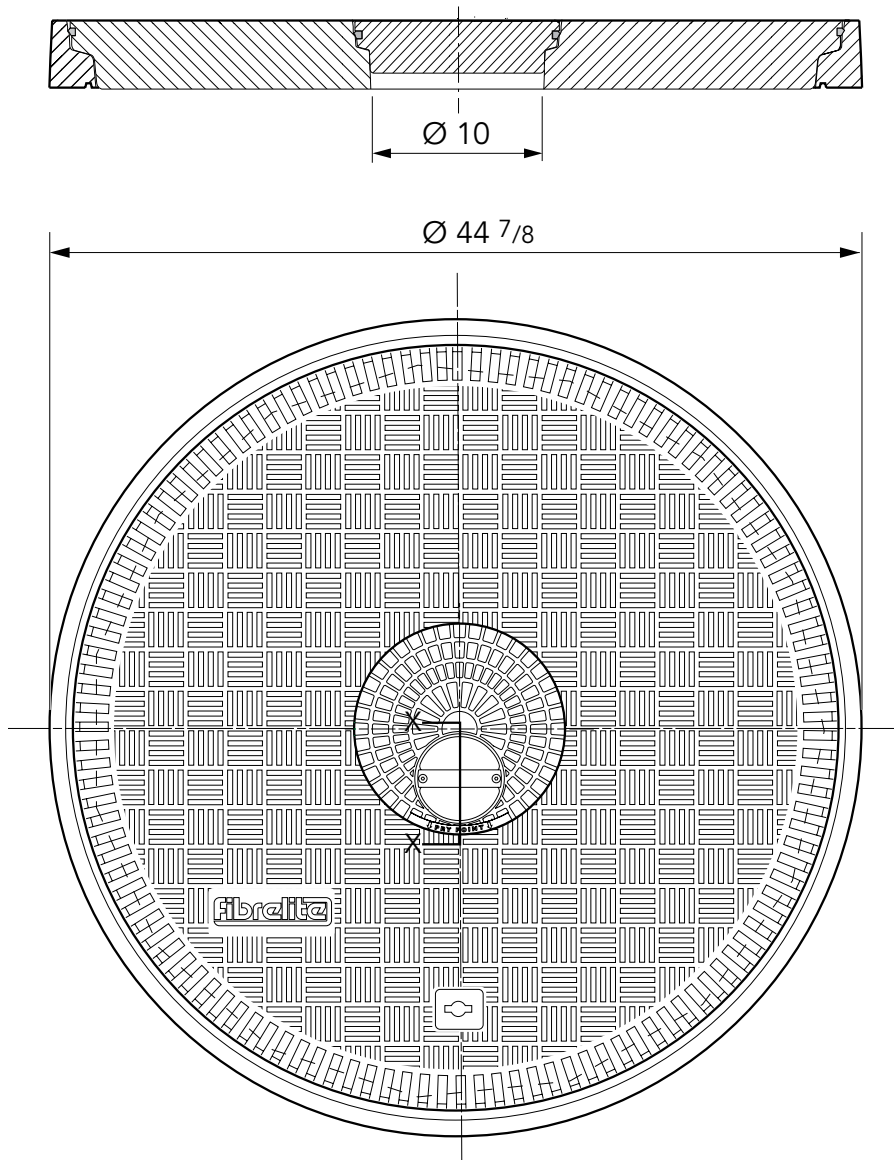
FL100 FRAME



40" dia. watertight flat sealed composite cover and frame with removable central dip cover (10" dia.)

For reference purposes only. This drawing is not a specification. Order against product code only. To enable continuous improvement of our products, the designs and specifications are subject to change without notice.

FIBRELITE 
PART OF OPW A  DOVER COMPANY



Load Rating	Cover Weight (lbs)	Frame Weight (lbs)	Port Cover Weight (lbs)
SD	108	22	7
HD	117	22	7

40" dia. watertight flat sealed composite cover and frame with removable central dip cover (10" dia.)

For reference purposes only. This drawing is not a specification. Order against product code only. To enable continuous improvement of our products, the designs and specifications are subject to change without notice.

FIBRELITE 
PART OF OPW A DOVER COMPANY

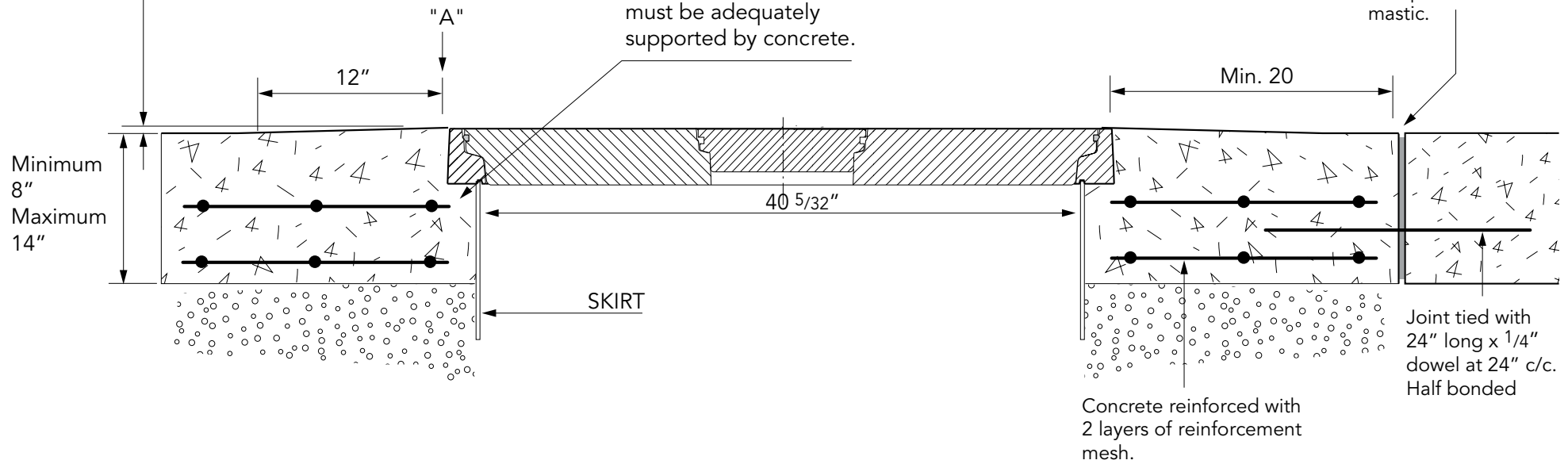
CONCRETE

VERY IMPORTANT

OUTER EDGE "A" OF FRAME SET 1/4" - 1/2" ABOVE GENERAL FORECOURT AREA WITH CONCRETE RAMPED AWAY OVER 12"

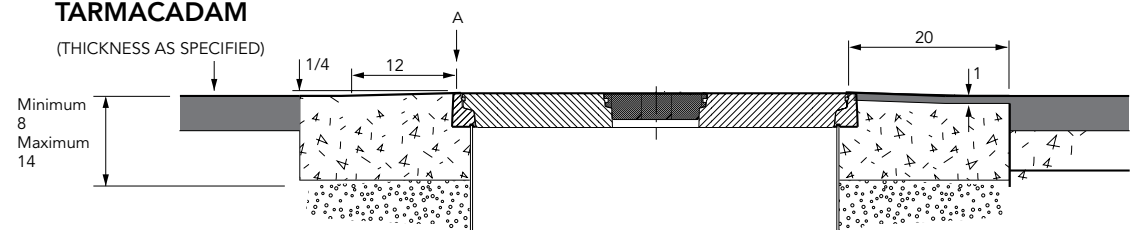
VERY IMPORTANT

The underside of the frame must be adequately supported by concrete.



TARMACADAM

(THICKNESS AS SPECIFIED)



40" dia. watertight flat sealed composite cover and frame with removable central dip cover (10" dia.)

For reference purposes only. This drawing is not a specification. Order against product code only. To enable continuous improvement of our products, the designs and specifications are subject to change without notice.

